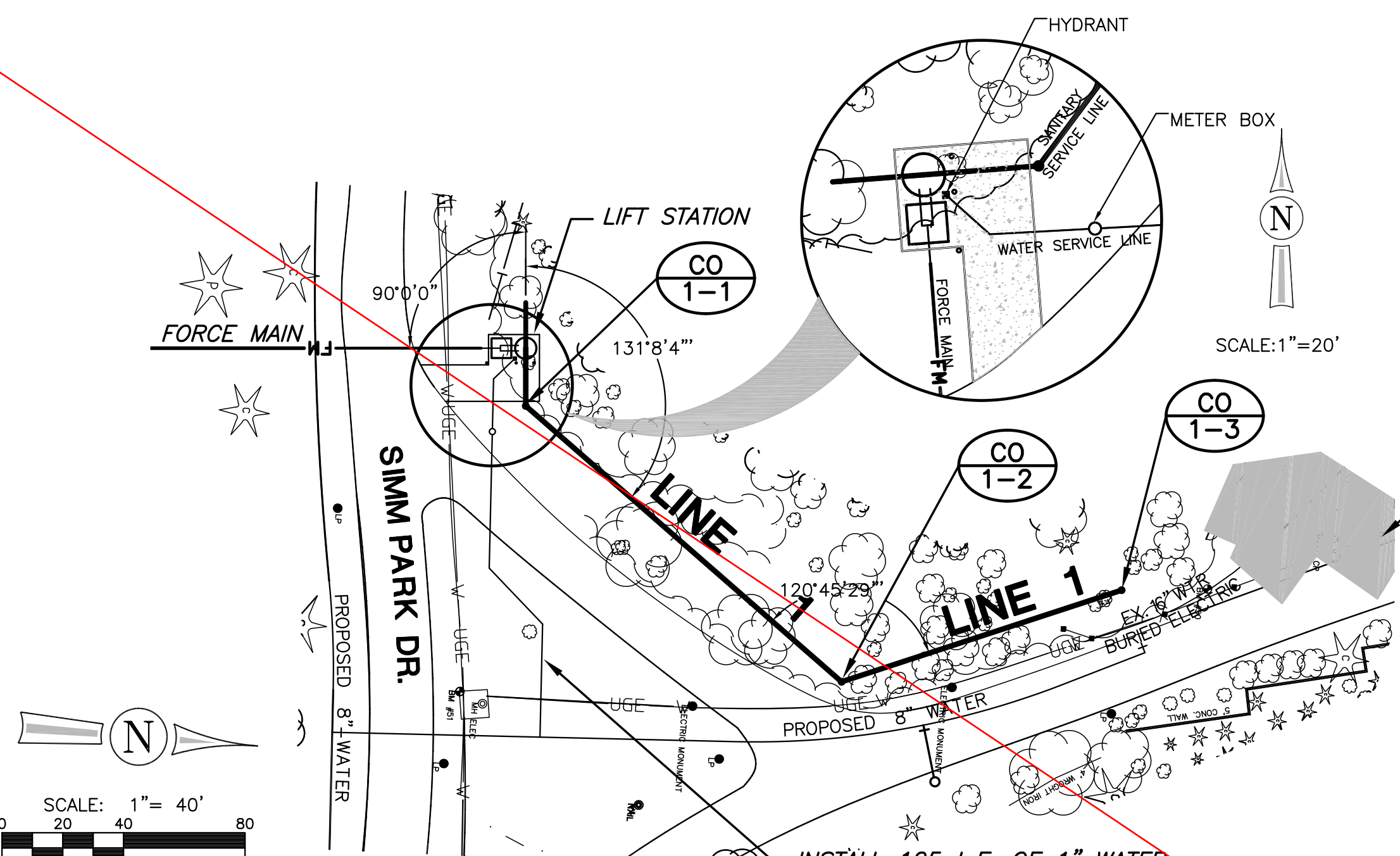


Other Approved Ring And Lids:
Ford Meter Box Co. Inc. 21" Ring & Lid Catalog No. C-4

RING & LID FOR METER BOXES

N.T.S.

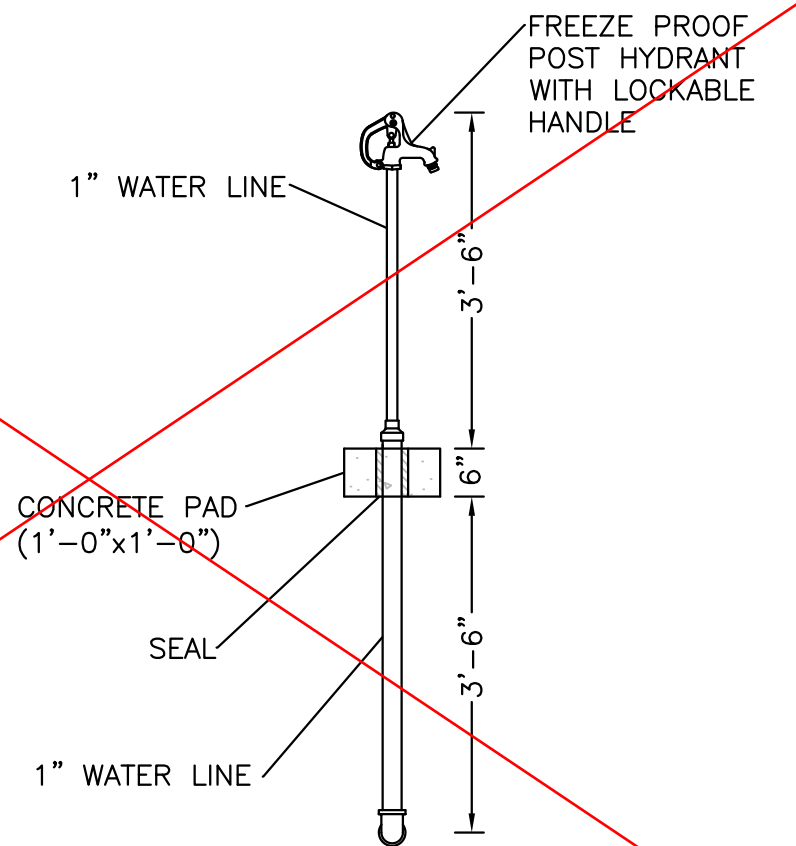
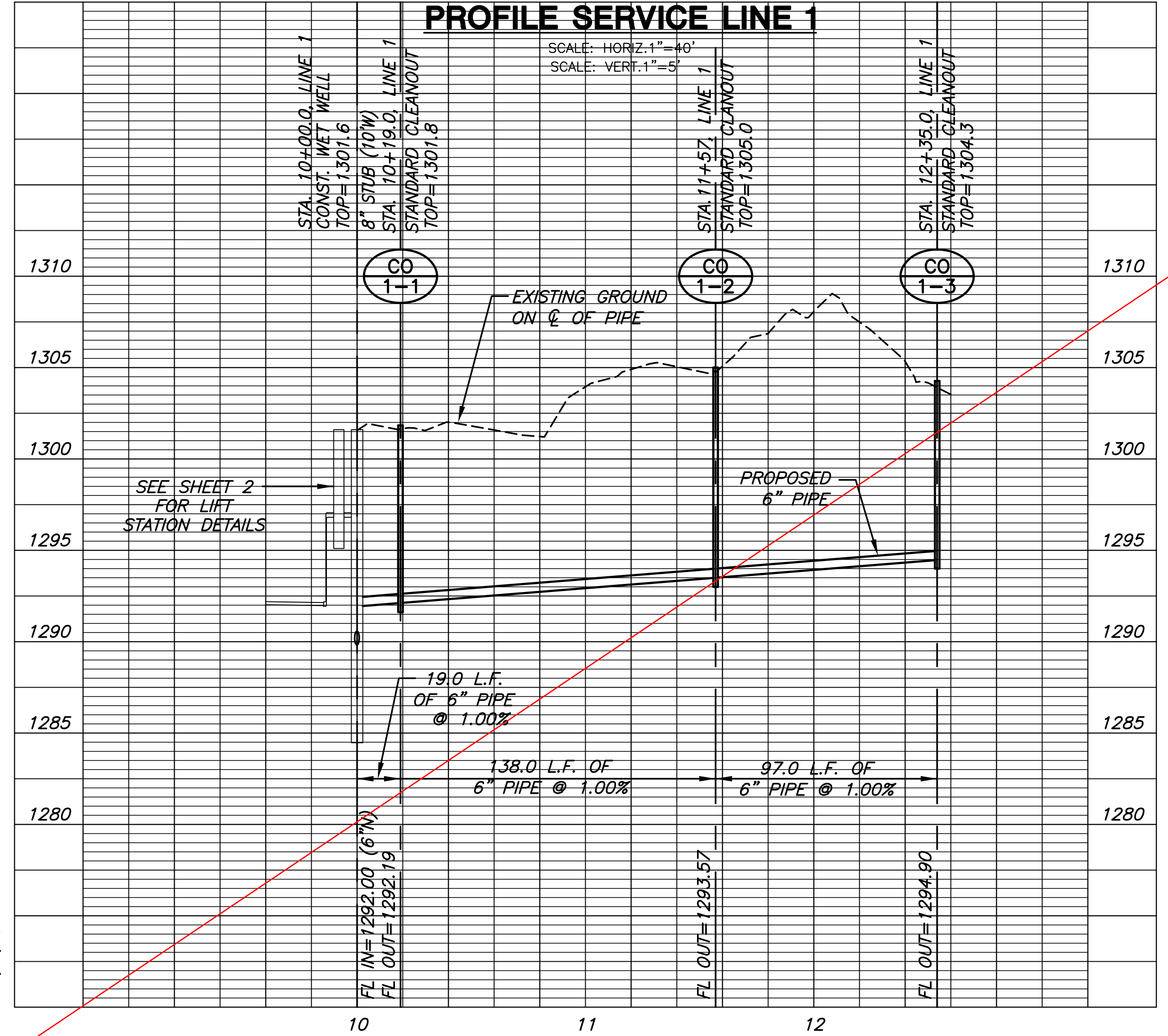
SEE REVISED SHEET



INSTALL 125 L.F. OF 1" WATER SERVICE LINE w/METER SETTING AND HYDRANT. (SEE HYDRANT & METER DETAILS THIS SHEET)

NOTE:
CONTRACTOR TO VERIFY DEPTH AND LOCATION OF EXISTING UTILITIES PRIOR TO CONSTRUCTION.

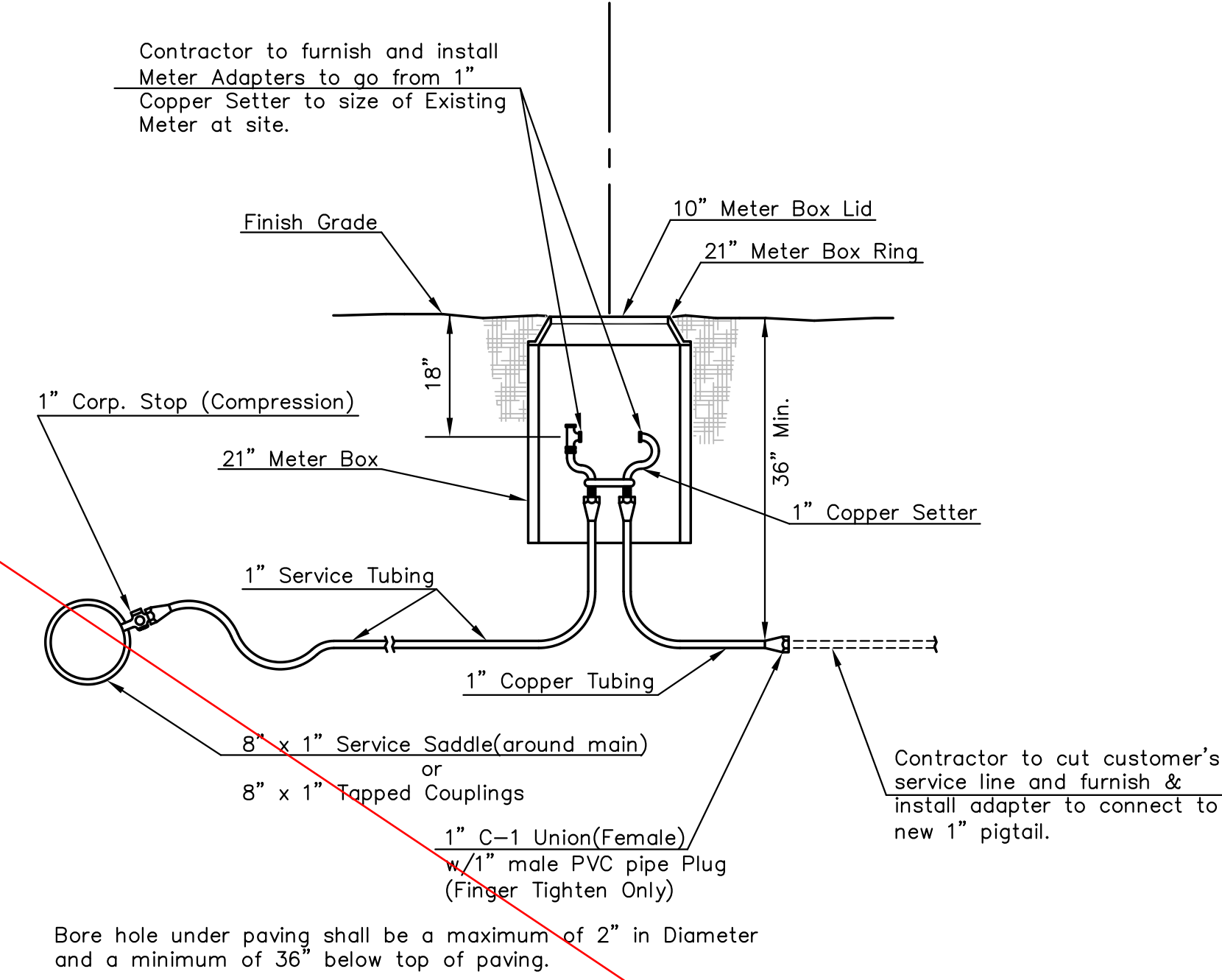
PLAN SERVICE LINE 1



CONTRACTOR SHALL INSTALL RPZ BACKFLOW PREVENTOR AND VAULT BELOW FREEZE LINE (3.5 FEET)

HYDRANT DETAIL

ELEVATION - LOOKING EAST
N.T.S.



Note: Service Saddles are not required on top of 8" mains or larger Meter boxes will be located adjacent to existing meter boxes but out of any paving.

TYPICAL METER SETTING

LONG SERVICE 1"

N.T.S.