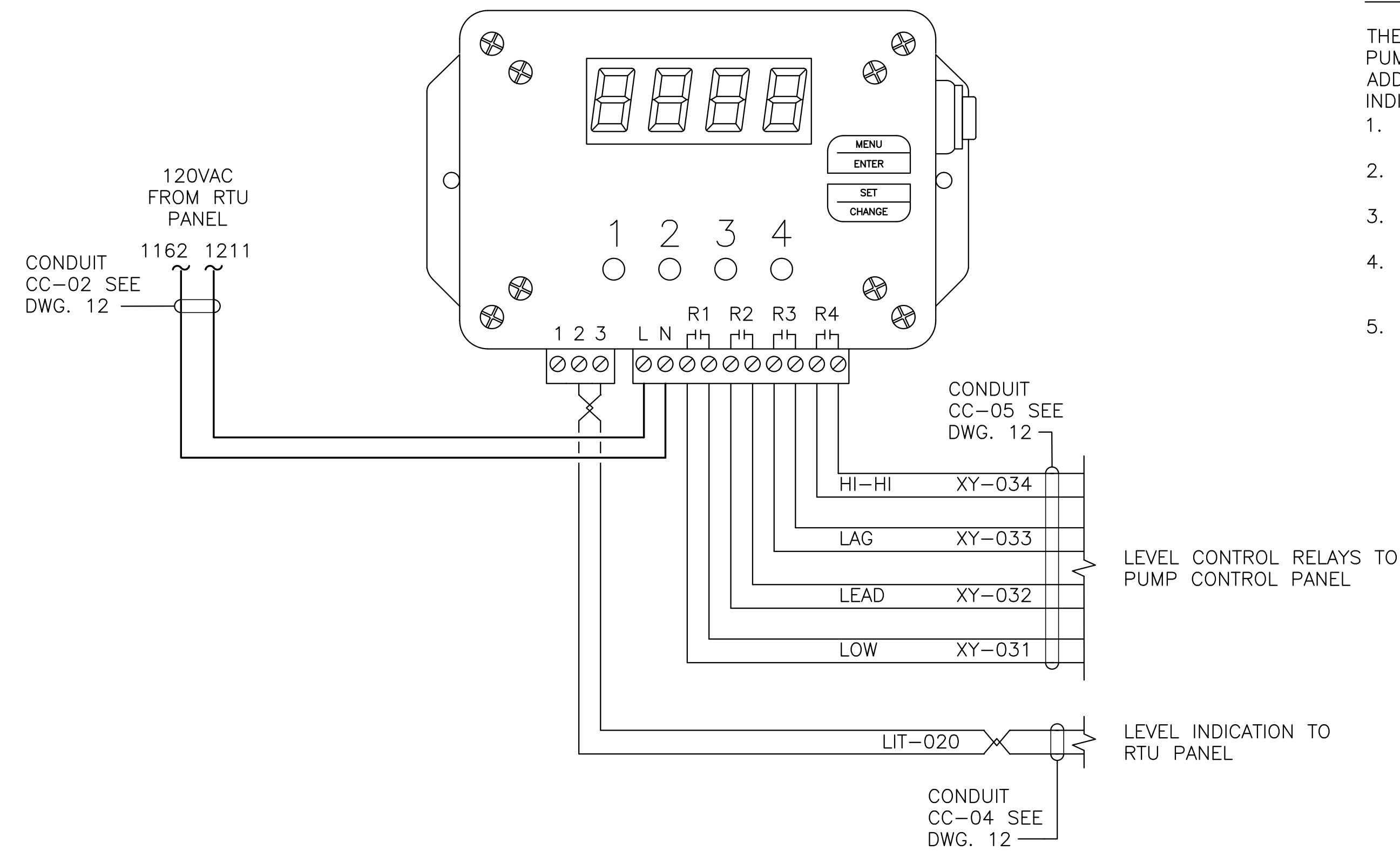


PRESSURE ACTIVATED CONTROL
CSRP-240



LEVEL CONTROLLER PROGRAMMING

THE PAC 2 CONTROLLER WILL BE USED TO CONTROL THE PUMPS IN THE WET WELL VIA THE RELAY OUTPUTS. ADDITIONALLY, THE CONTROLLER WILL PROVIDE LEVEL INDICATION TO THE PLC IN THE LIFT STATION RTU PANEL.

1. RELAY OUTPUT #1 (R1) SHALL BE CONFIGURED FOR LOW LEVEL TO STOP ANY RUNNING PUMPS.
2. RELAY OUTPUT #2 (R2) SHALL BE CONFIGURED FOR LEAD LEVEL TO START THE LEAD PUMP.
3. RELAY OUTPUT #3 (R3) SHALL BE CONFIGURED FOR LAG LEVEL TO START THE LAG PUMP.
4. RELAY OUTPUT #4 (R4) SHALL BE CONFIGURED FOR HIGH-HIGH LEVEL INDICATION TO THE PUMP CONTROL PANEL.
5. THE 4-20mA ANALOG OUTPUT SHALL BE CONFIGURED TO PROVIDE LEVEL INDICATION TO THE PLC IN THE LIFT STATION RTU PANEL.

1 LEVEL CONTROL PANEL WIRING DIAGRAM

SCALE: NONE

LEVEL CONTROL PANEL WIRING DIAGRAM

SHEET TITLE
468-84683
PROJECT NUMBER

DESIGN BY: *JTW*
DRAWN BY: *MRT*
CHECKED BY: *GSS*

ISSUED: *July 2010*
REVISED:

SHEET NO.
23 of 29