

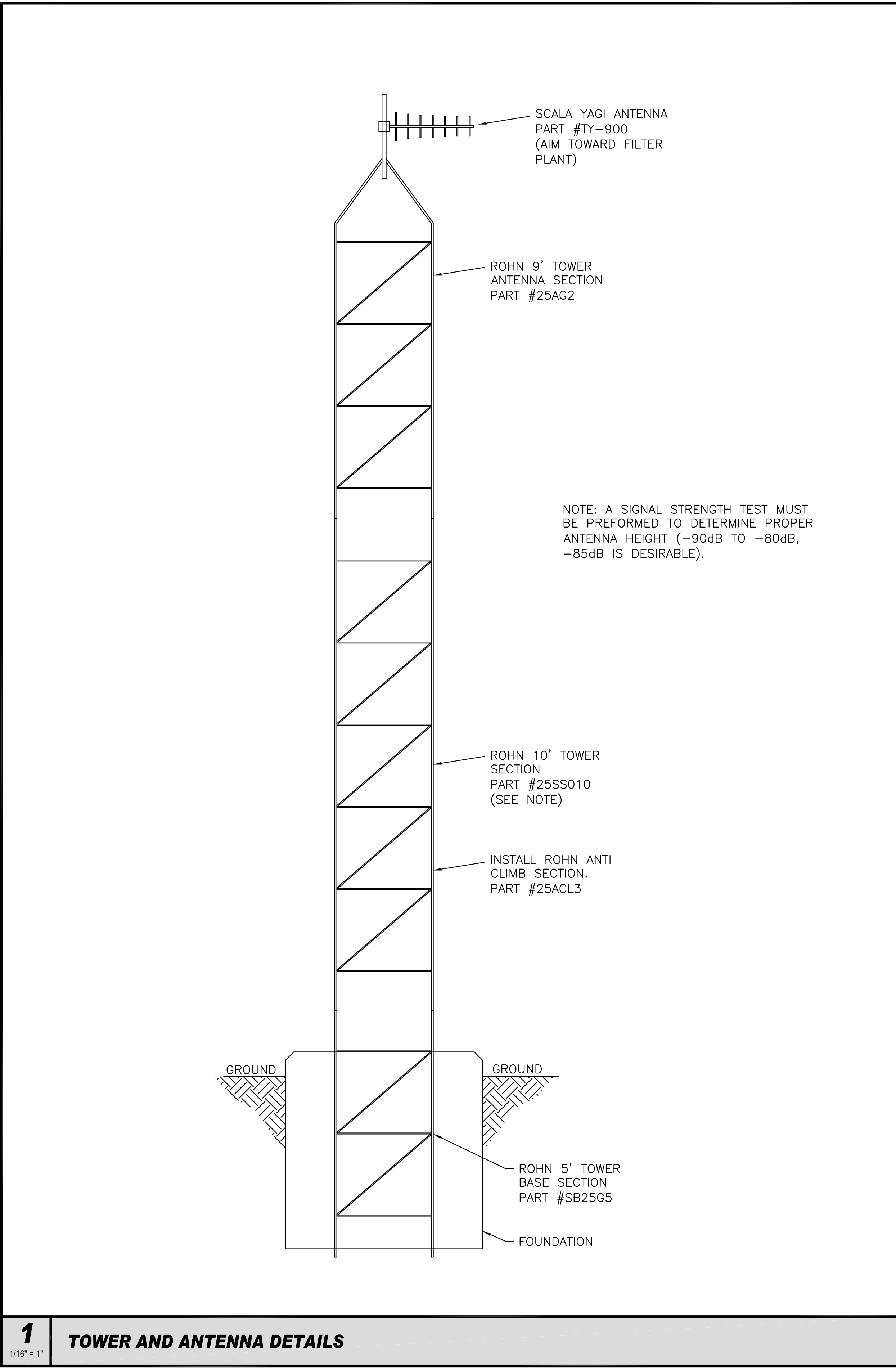
SANITARY SEWER LIFT STATION AND FORCE MAIN
BOTANICA - THE WICHITA GARDENS
STREETS AND UTILITIES

**CONTROLS
INSTALLATION
DETAILS**
SHEET TITLE
468-84683
PROJECT NUMBER

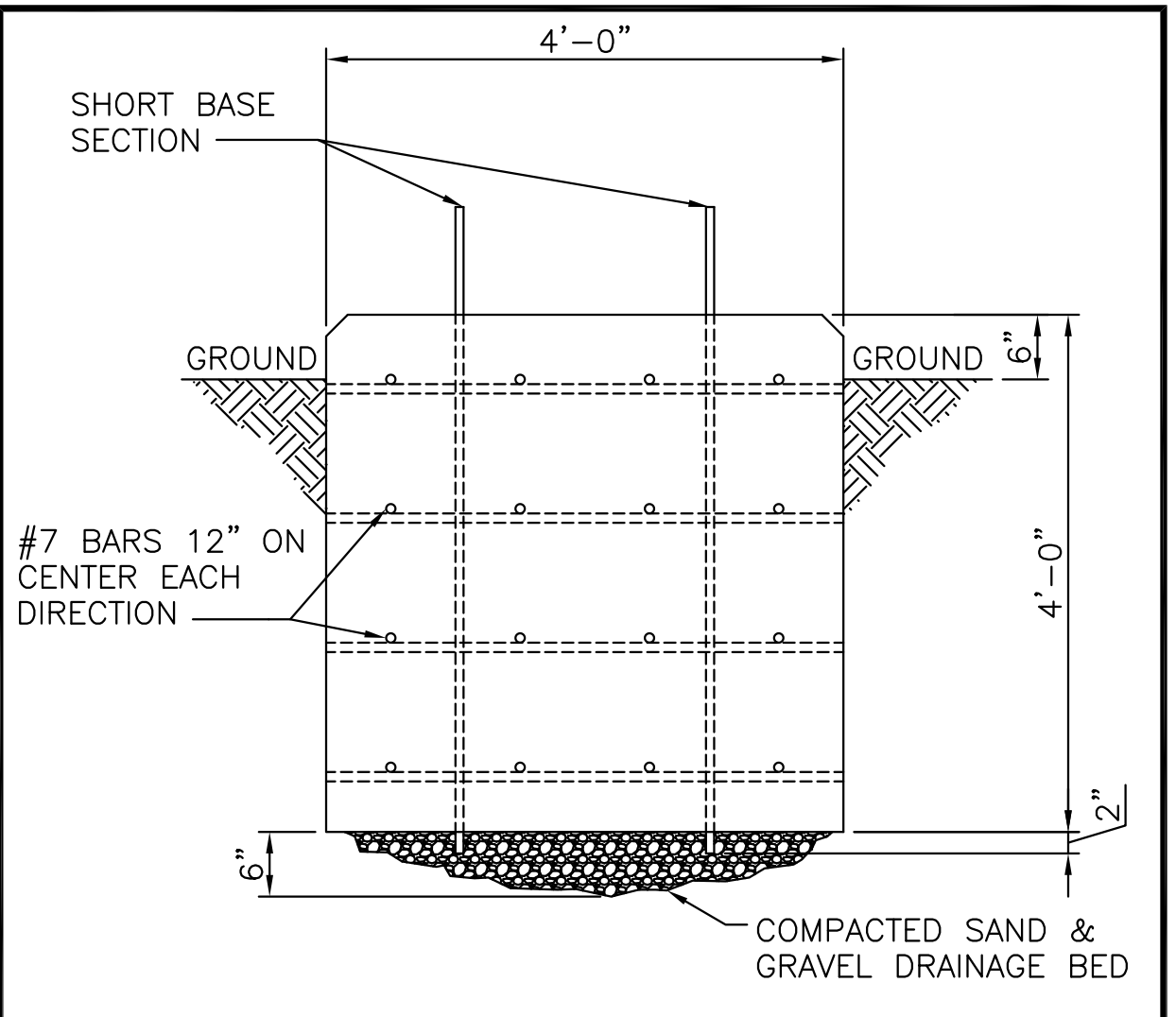
DESIGN BY **JTW**
DRAWN BY **MRT**
CHECKED BY **GSS**

ISSUED **July 2010**
REVISED

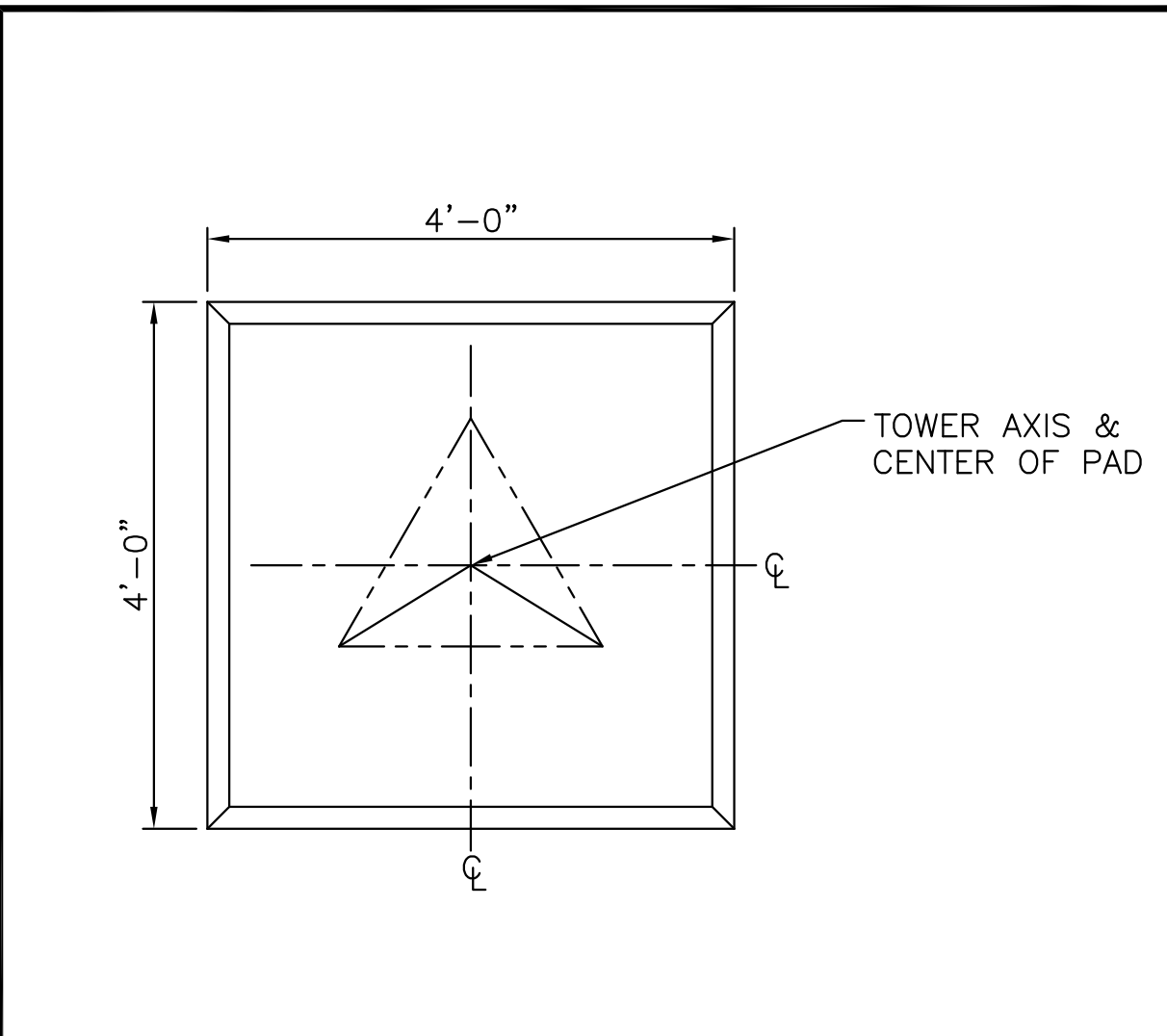
SHEET NO.
24 of 29



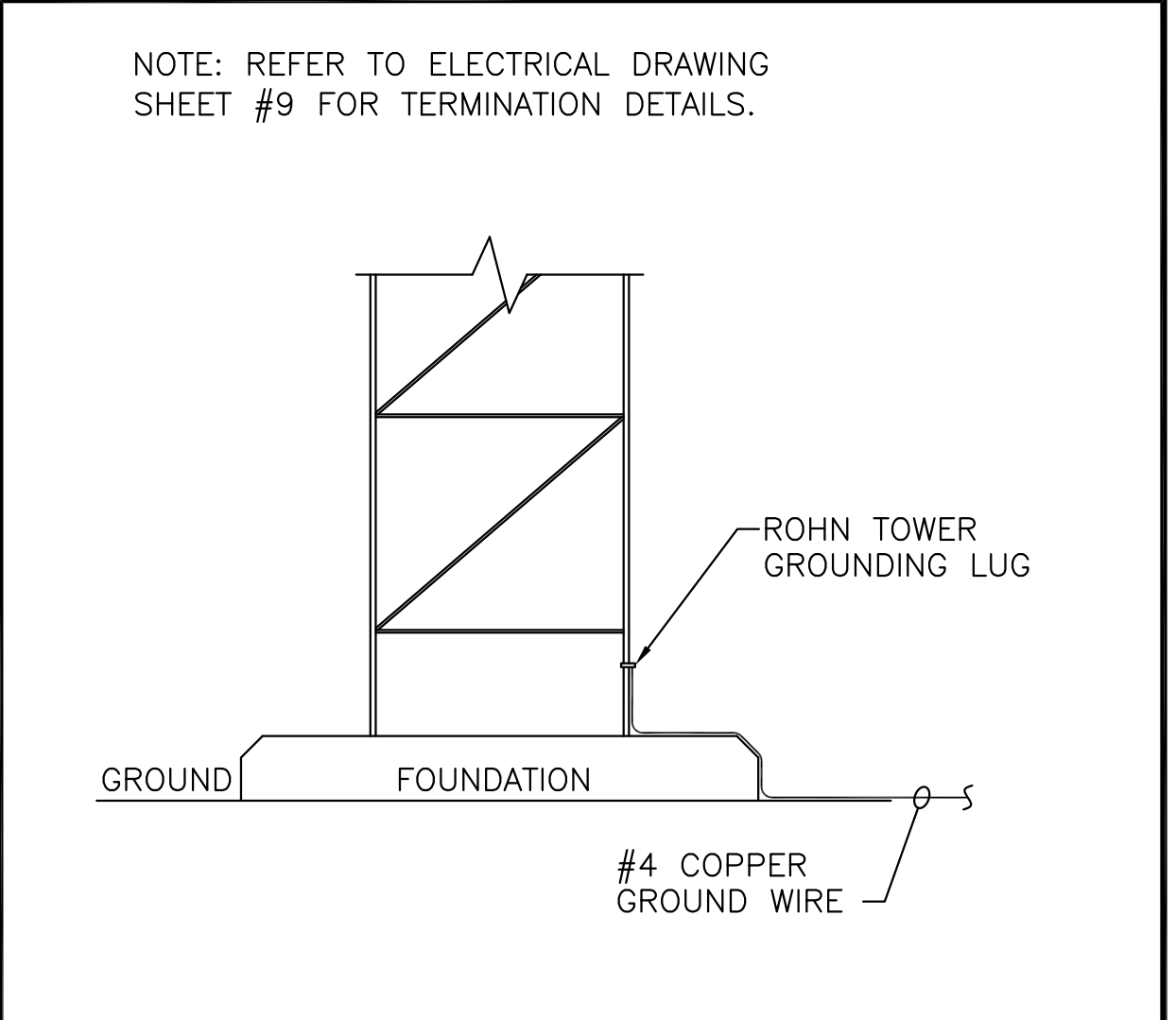
1
1/16" = 1"
TOWER AND ANTENNA DETAILS



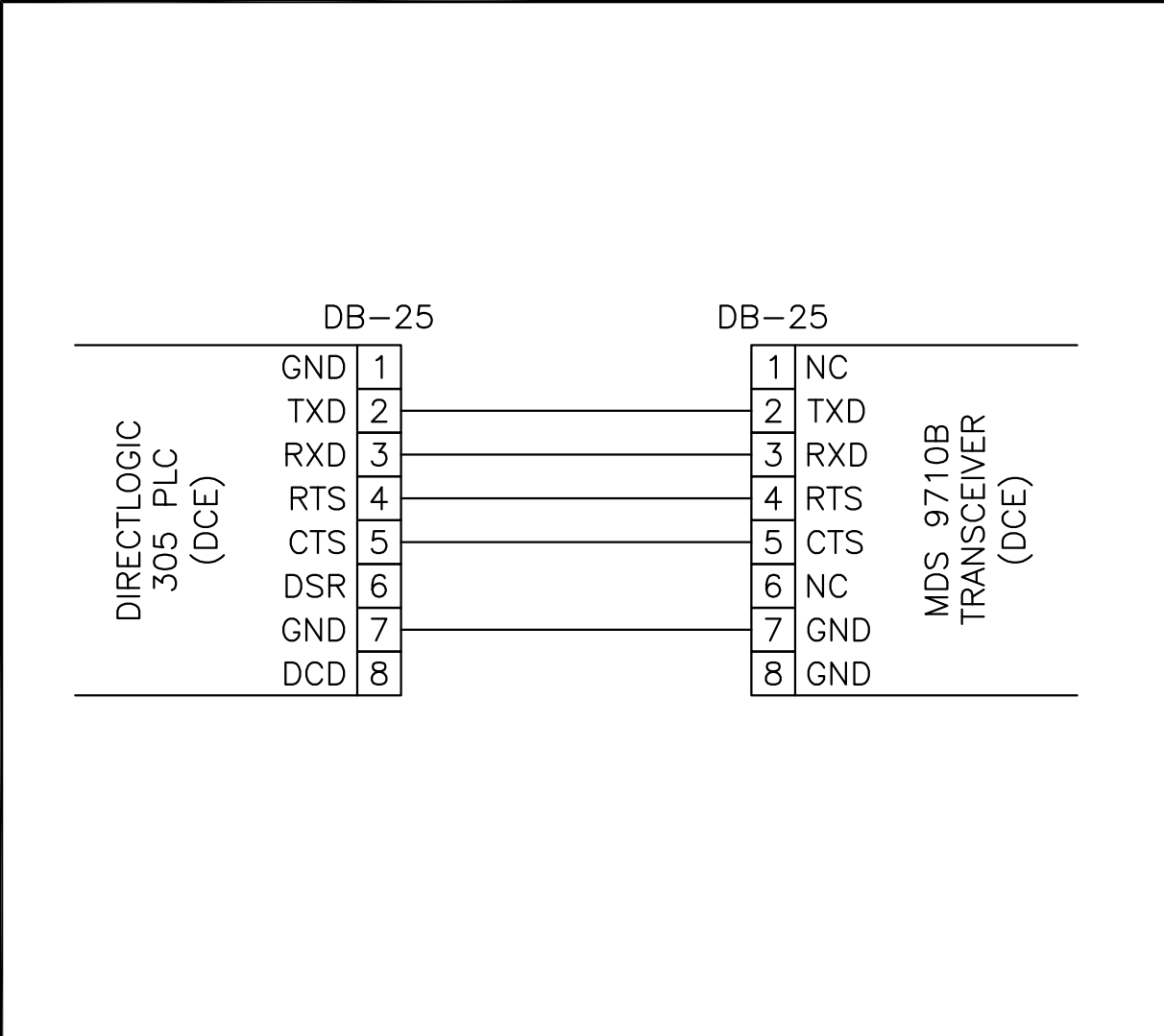
2
1/16" = 1"
**TOWER FOUNDATION
ELEVATION PLAN**



3
1/16" = 1"
**TOWER FOUNDATION
PLAN VIEW**



4
NO SCALE
TOWER GROUNDING DETAIL



5
NO SCALE
25-PIN SERIAL CABLE DETAIL

PLOTTED: Wednesday, July 14, 2010 @ 03:54PM

J:\CIVIL\08603\DWG\CONTROLS\DRAWINGS\08603_1024.DWG