

CONSULTANTS:

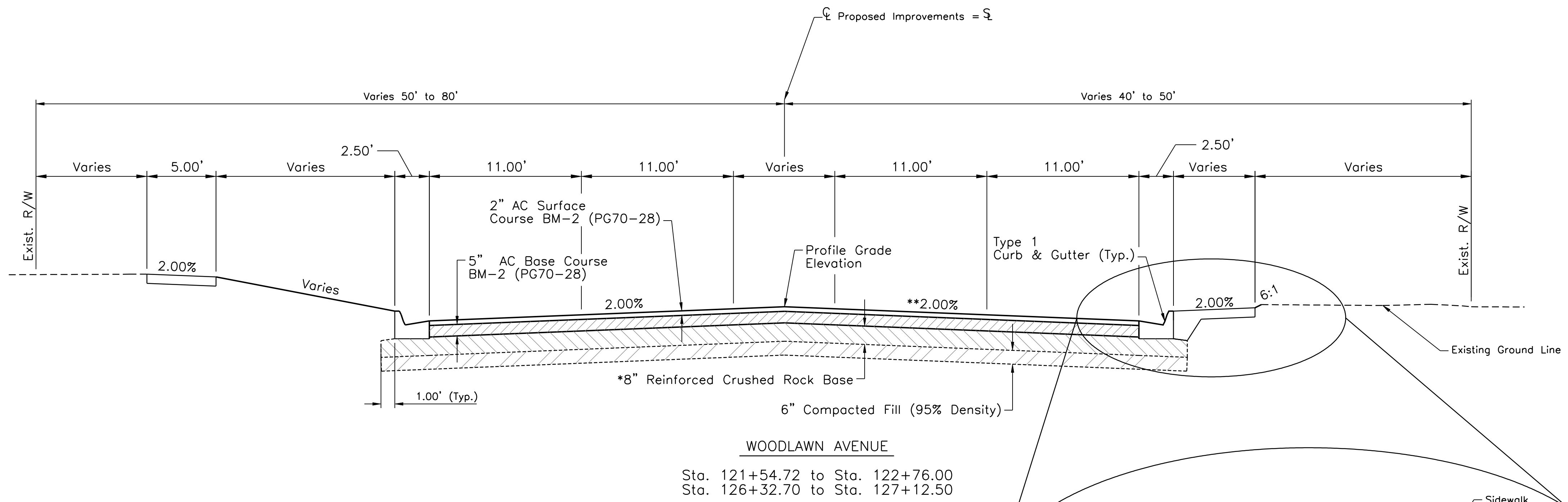
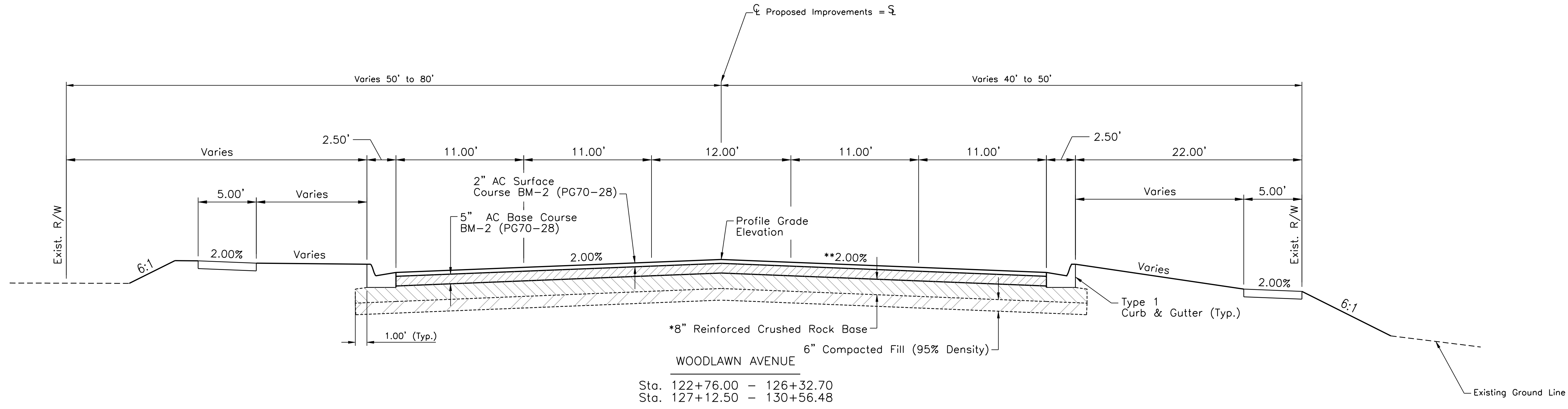
**WOODLAWN AVENUE &
 17TH STREET/FARMVIEW LANE
 INTERSECTION IMPROVEMENTS**
 WICHITA, KANSAS

REVISIONS:	MARK	DATE	DESCRIPTION

PROJ NO: 472 84907
 SCALE: N/A
 DATE: 8/10/2010
 DESIGNED BY: SGE
 DRAWN BY: SGE
 CHECKED BY: JRL

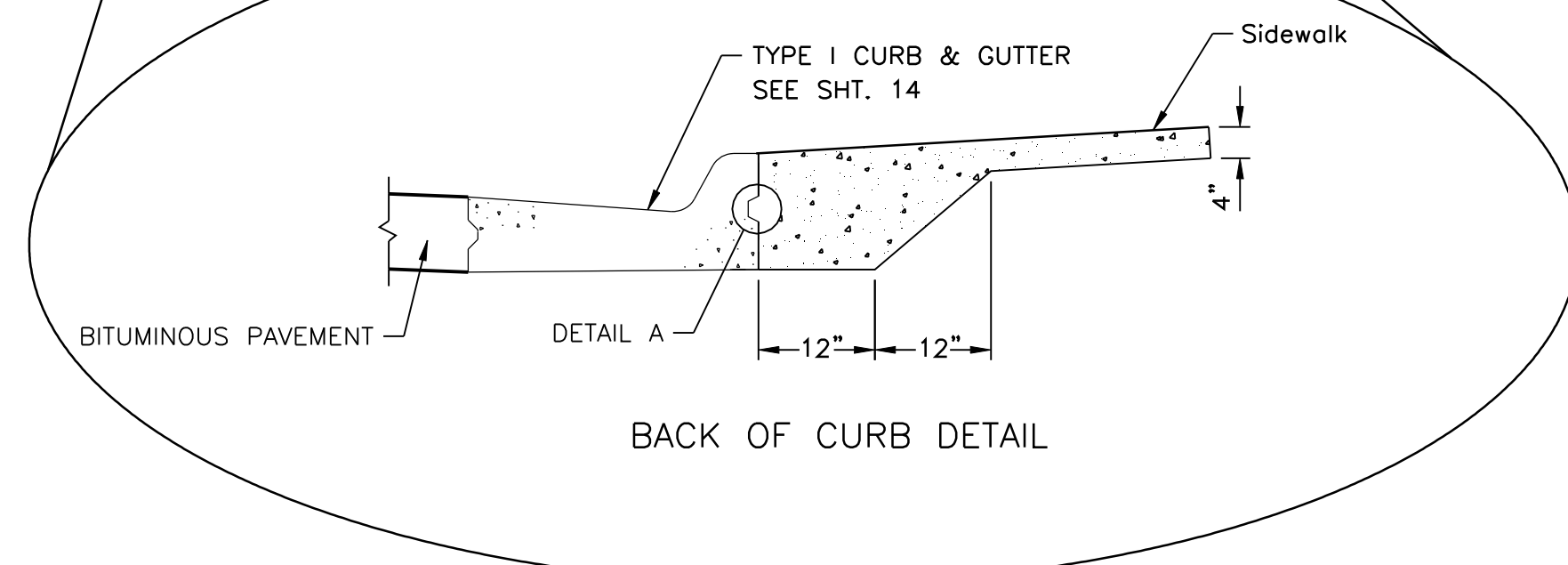
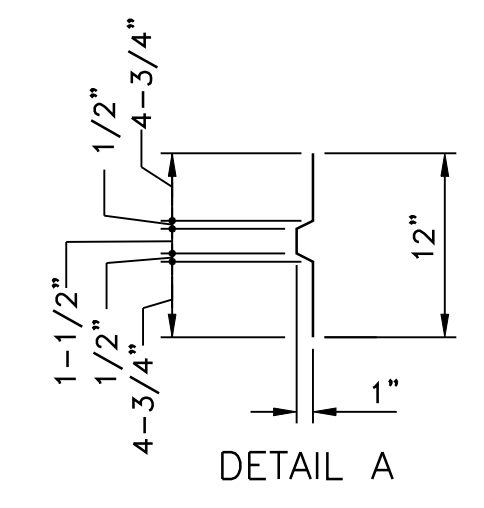
TYPICAL SECTIONS

SHEET NO. **4**
 SHEET 4 OF 50



*Reinforced Crushed Rock Base shall be reinforced with Tensor BX1100 Geogrid. Geogrid is Subsidiary to Reinforced Crushed Rock Base Bid Item.

** Cross Slope Varies Sta. 121+54.72 - Sta. 122+50.00 and Sta. 129+50.00 - Sta. 130+56.48 to facilitate matching existing cross slope.



NOTE: SLOPES SHOWN ARE TYPICAL. SEE CROSS SECTIONS FOR VARIATIONS.