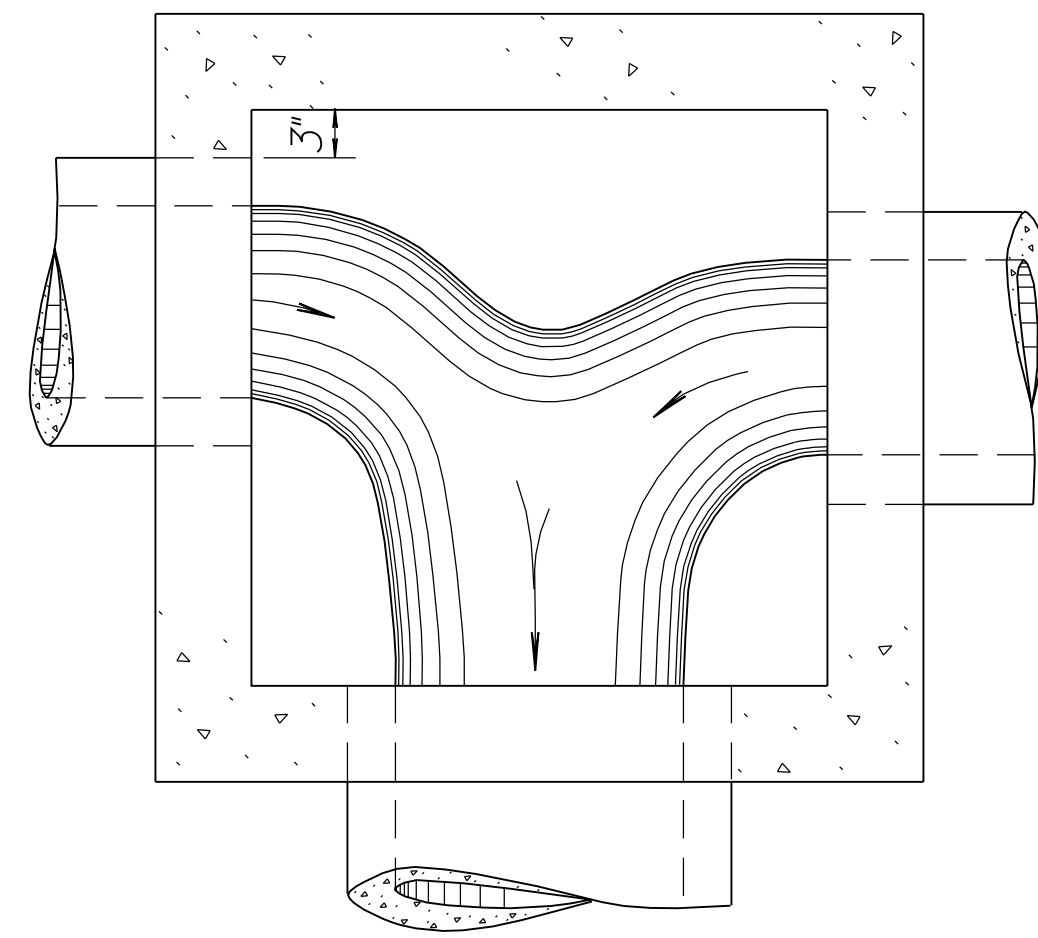
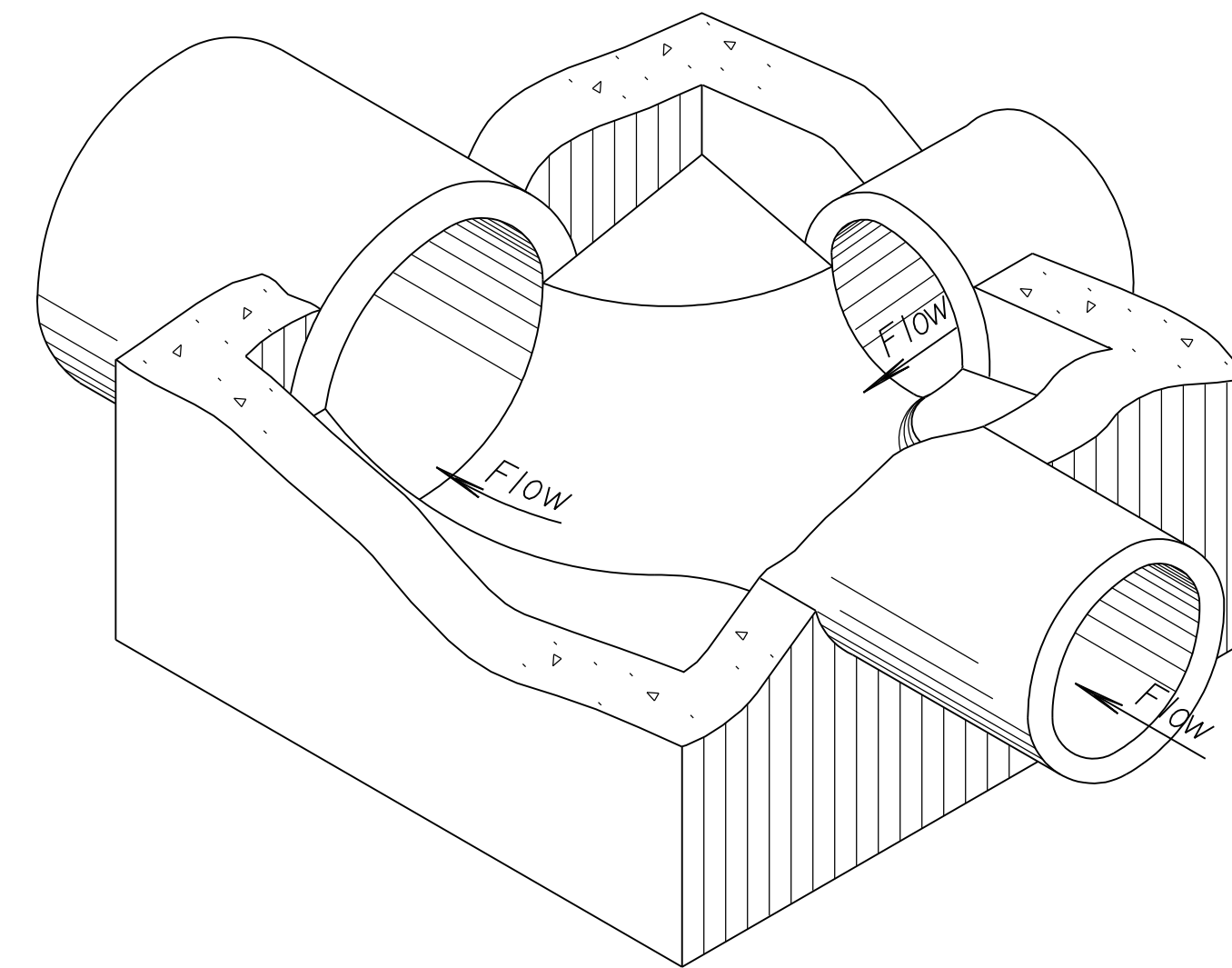


PLAN - FLOOR (Example I)

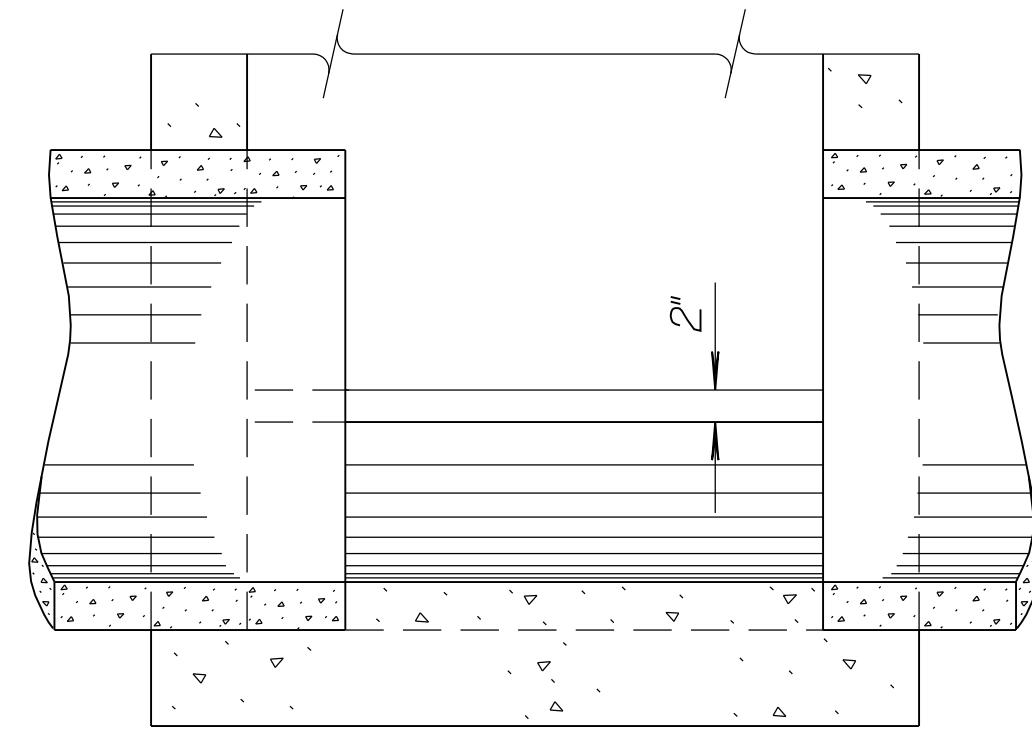


PLAN - FLOOR (Example III)

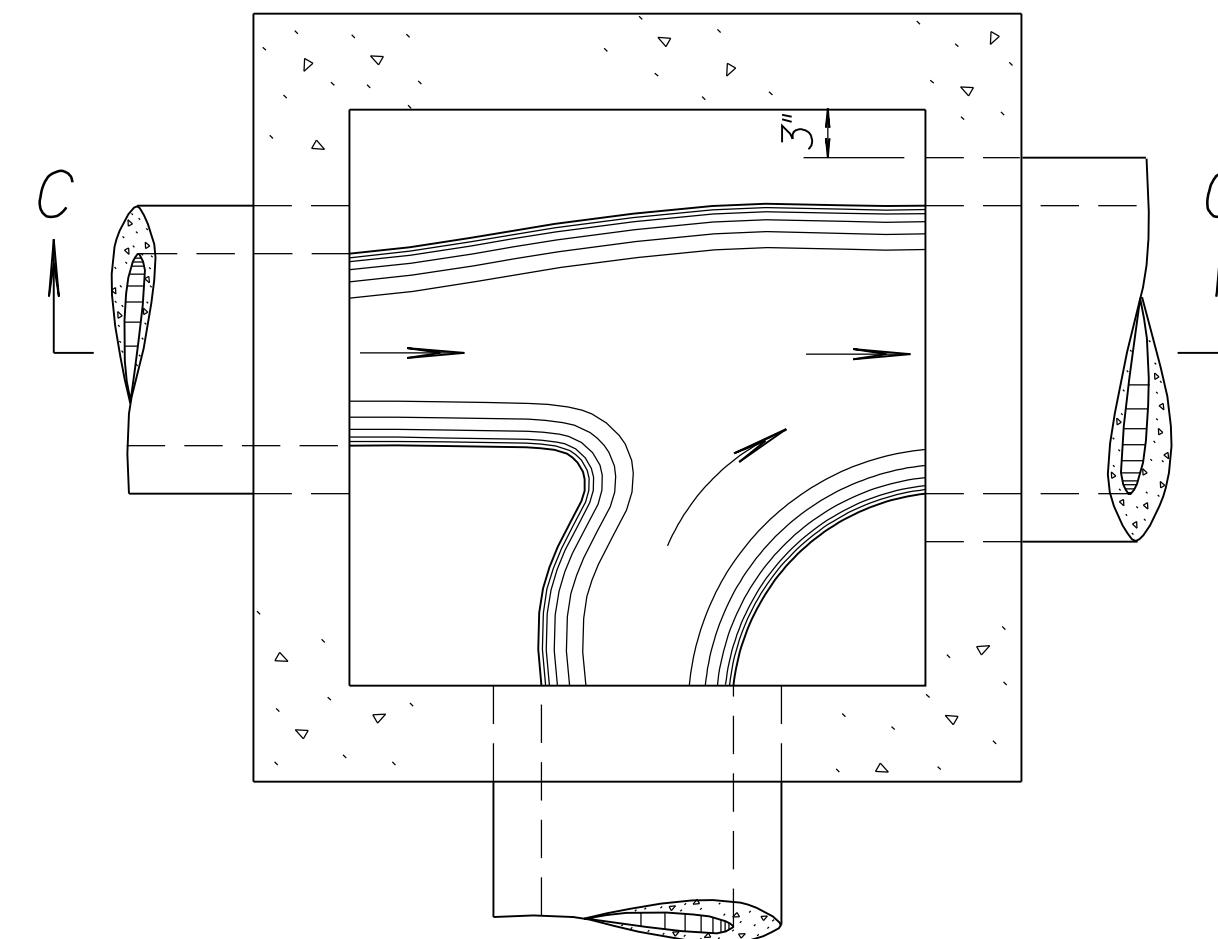


Floor of manhole shall be shaped as shown in the examples to increase hydraulic efficiency.

ISOMETRIC VIEW (Example IV)



SECTION A-A (Example I)



PLAN - FLOOR (Example IV)

Note: Use COW Standard Paving Mix throughout. All exposed edges shall be finished with an edging tool.

In general, pipes will enter and leave manhole at various positions. Where possible bend bars around pipes.

Floor of manhole shall be shaped as shown in various "EXAMPLES" with unreinforced Concrete Grade 3.0.

Manhole opening and steps, where used, shall be placed to afford easy access to top of shaped invert.

Top reinforcing bars shall be adjusted accordingly.

All castings shall be gray iron and shall comply with the KDOT Standard Specifications.

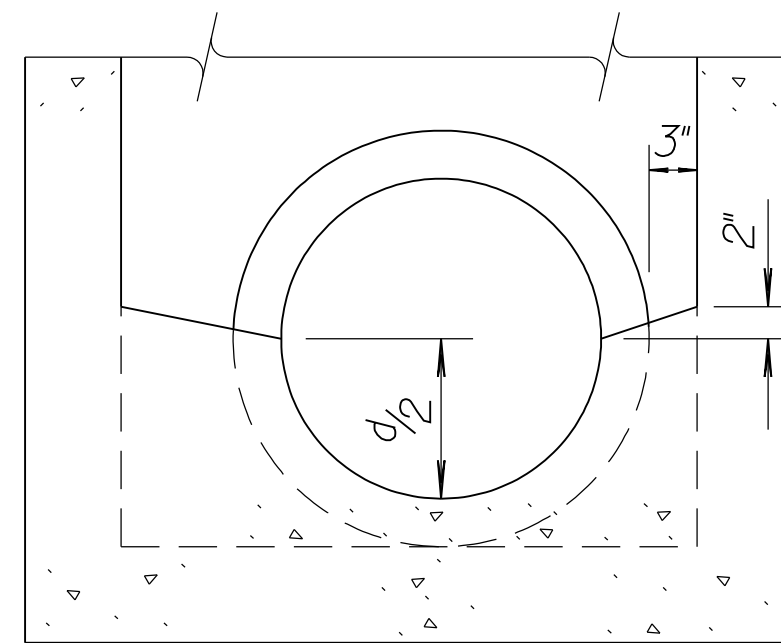
No deductions in concrete quantities shall be made for pipe openings or additions to concrete quantities shall be made for shaping floor of manholes.

The top of the manhole shall be sloped slightly to approximately fit the ground line or other condition as directed by the Engineer.

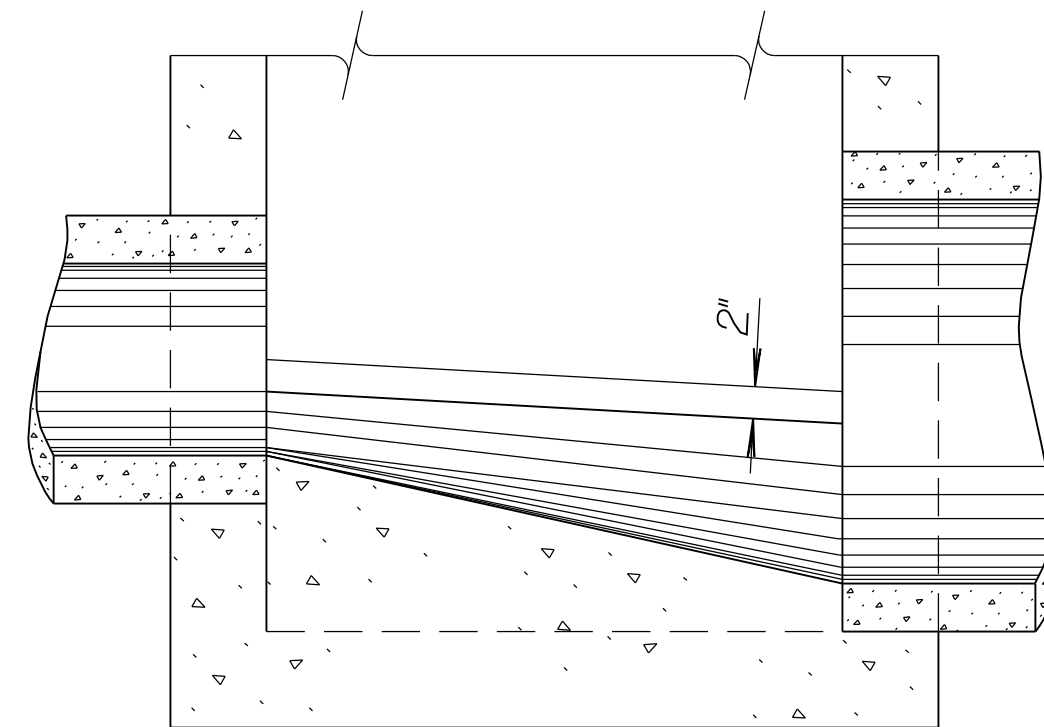
Dimensions and weights of cast iron as shown on this sheet are minimum. Larger dimensions and/or heavier weights of cast iron may be used.

The Contractor has the option of using precast manholes, as approved by the Engineer.

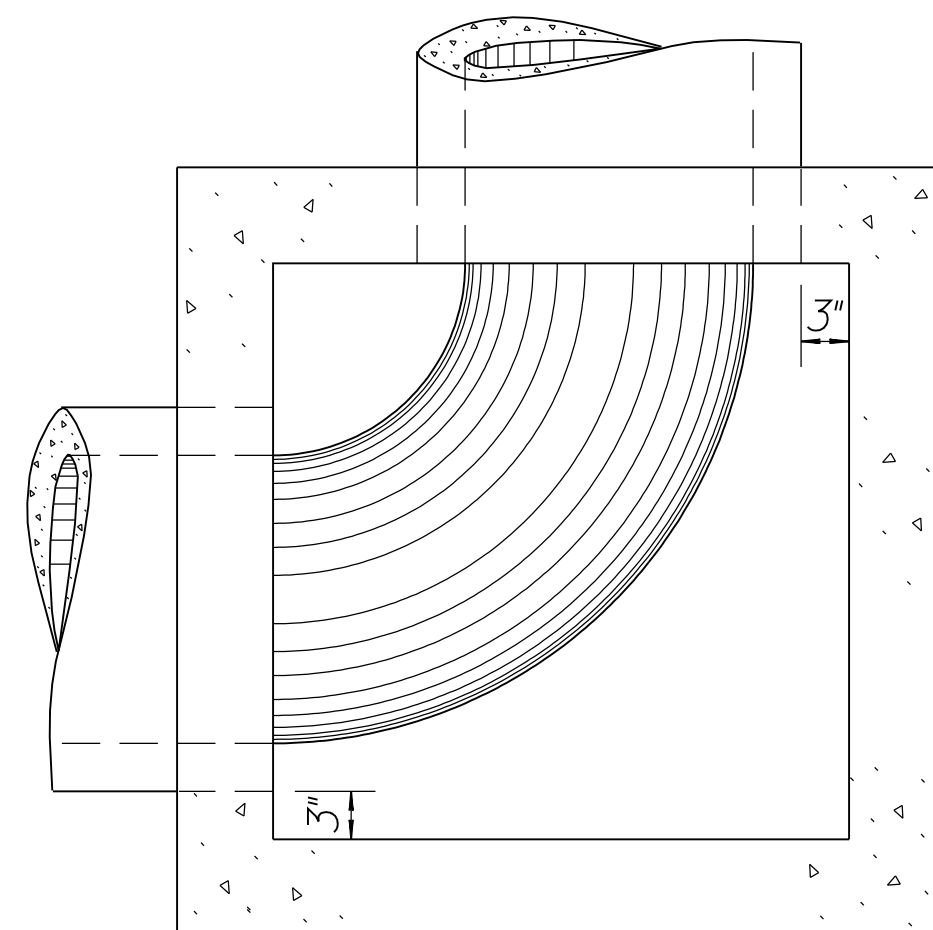
Steps shall be installed in all manholes when specified in the plans or when "H" is equal to or greater than six feet. Steps shall comply with the requirements of the KDOT Standard Specification.



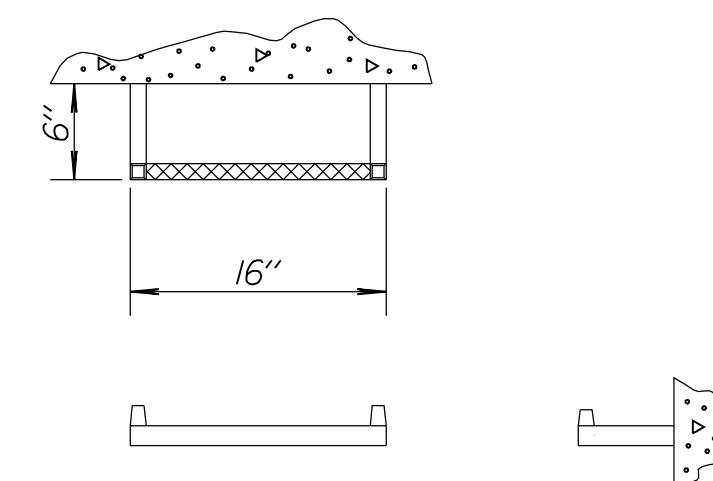
SECTION B-B (Example I)



SECTION C-C (Example IV)



PLAN - FLOOR (Example II)



STEP DETAILS

\* Steps shall be uniformly spaced. Spacing shall be 12" minimum and 16 1/2" maximum.

CONSULTANTS:

WOODLAWN AVENUE &  
 17TH STREET/FARMVIEW LANE  
 INTERSECTION IMPROVEMENTS  
 WICHITA, KANSAS

REVISIONS:	MARK	DATE	DESCRIPTION

PROJ NO: 472 84907  
 SCALE: NTS  
 DATE: 8/10/2010  
 DESIGNED BY: SGE  
 DRAWN BY: XXX  
 CHECKED BY: JRL

SHEET TITLE:  
**STORM SEWER  
 AUX. DETAILS**

SHEET NO.  
**11**  
 SHEET 11 OF 50