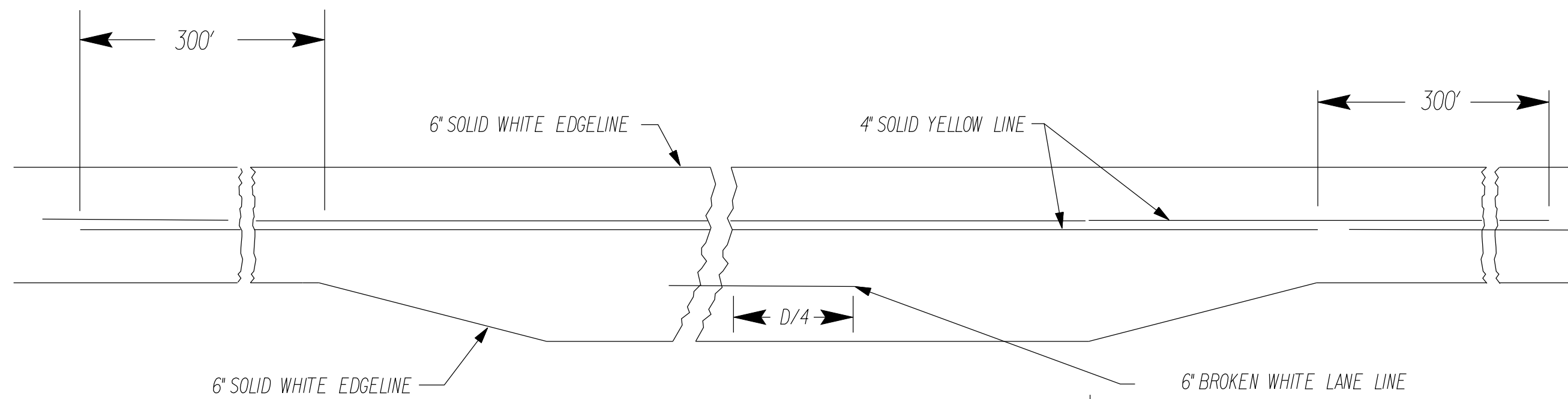
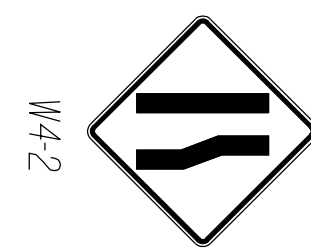


|        |             |      |           |              |
|--------|-------------|------|-----------|--------------|
| STATE  | PROJECT NO. | YEAR | SHEET NO. | TOTAL SHEETS |
| KANSAS | 472 84907   | 2010 | 27        | 50           |

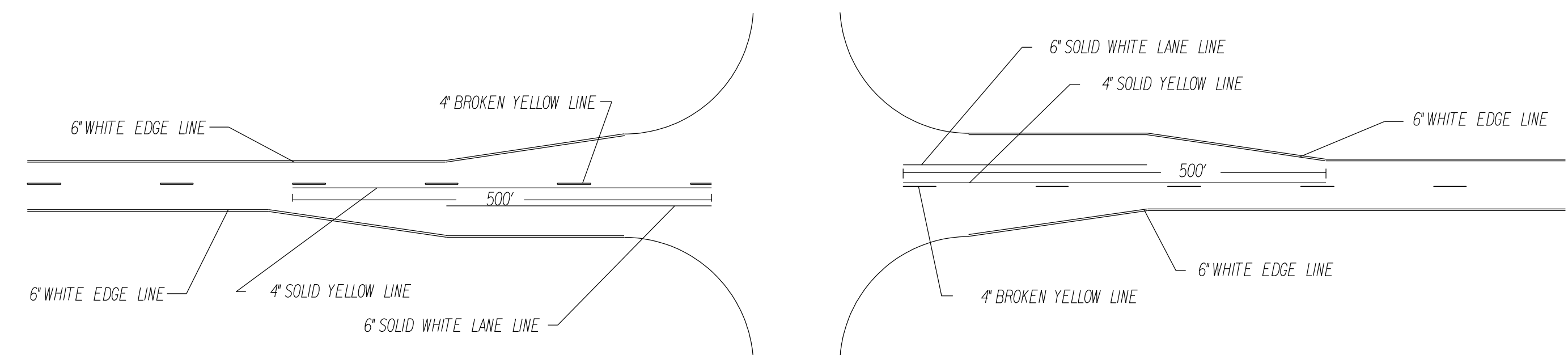


NOTE: ALL PAVEMENT MARKINGS SHALL BE BROKEN AT CROSS ROADS.  
FOR HIGHWAY JUNCTIONS THE NO PASSING ZONE WILL EXTEND 1000' FROM INTERSECTION

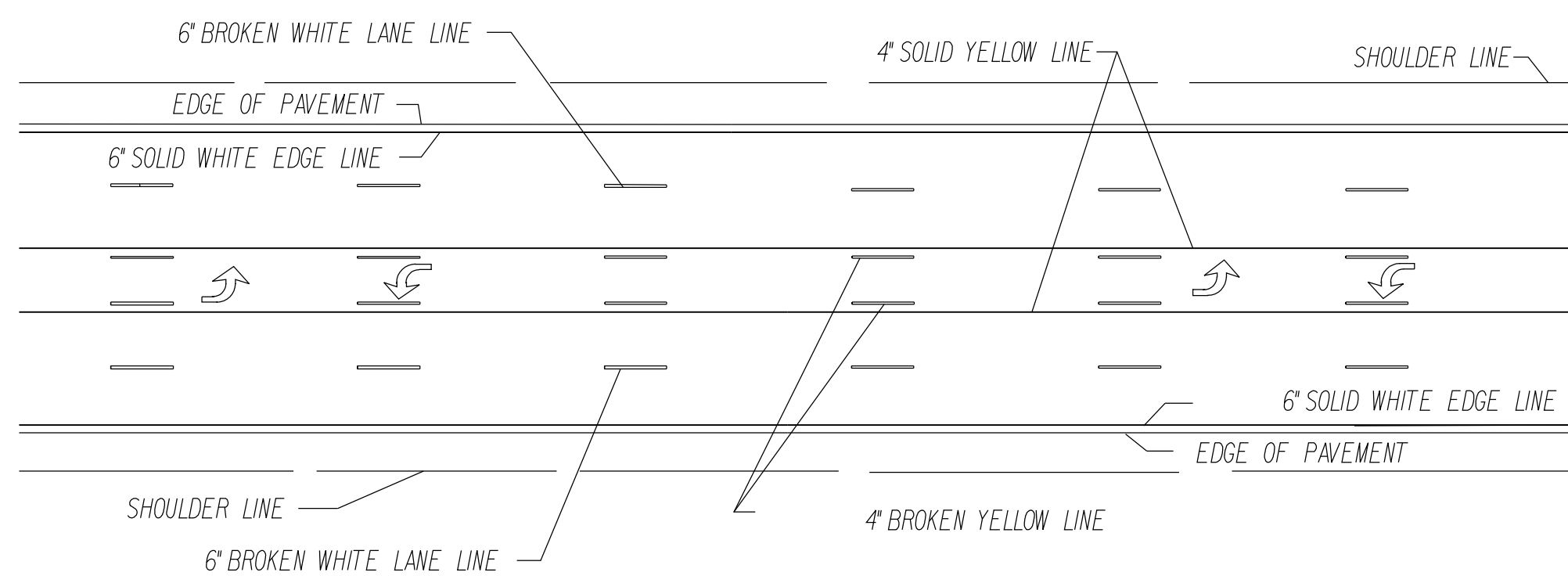
NOTE:  
DOTTED EXTENSION LINE TAPER LENGTH  
POSTED SPEED \* 12  
FOR POSTED SPEEDS ABOVE 40 MPH



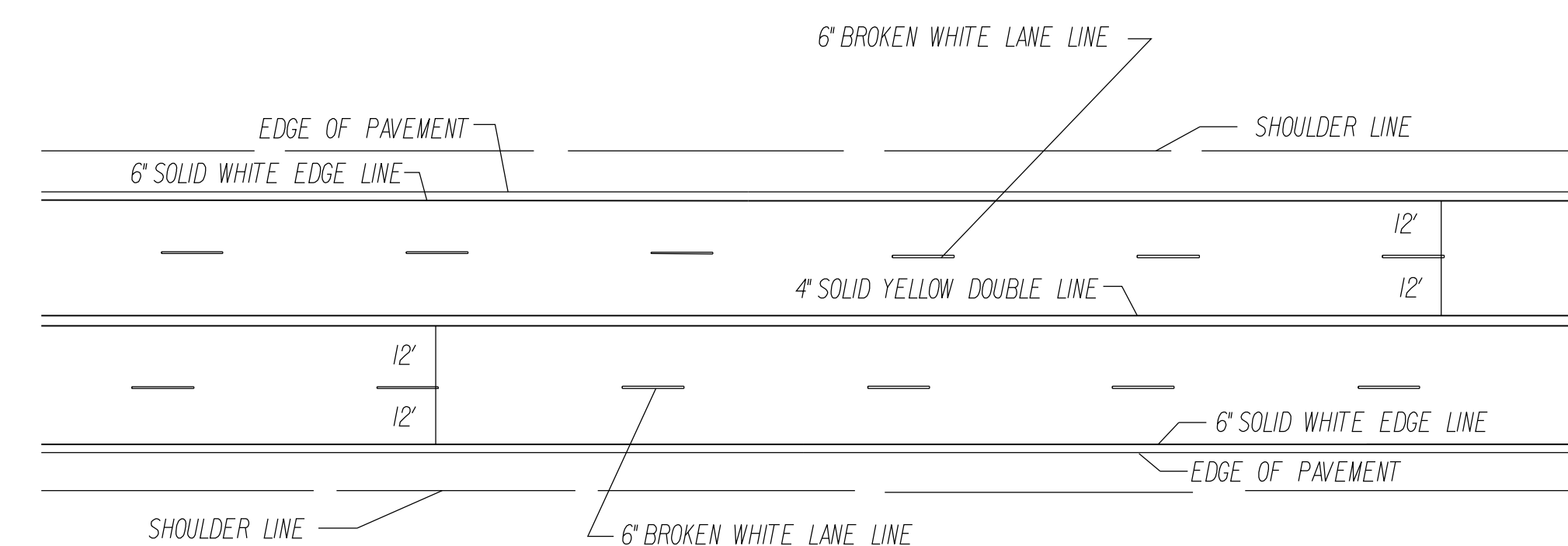
TYPICAL MARKING FOR AUXILIARY PASSING LANE



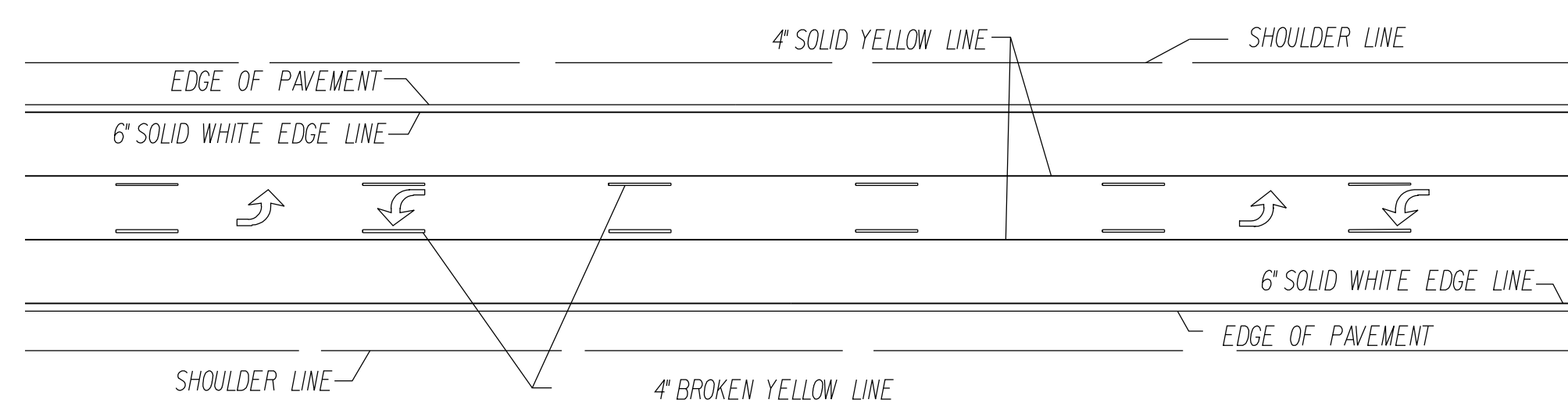
TYPICAL ROAD JUNCTION MARKINGS WITH BYPASS LANES



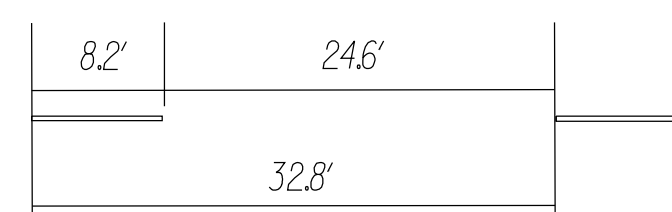
TWO-WAY LEFT TURN DETAIL FOR FIVE LANE ROADWAY



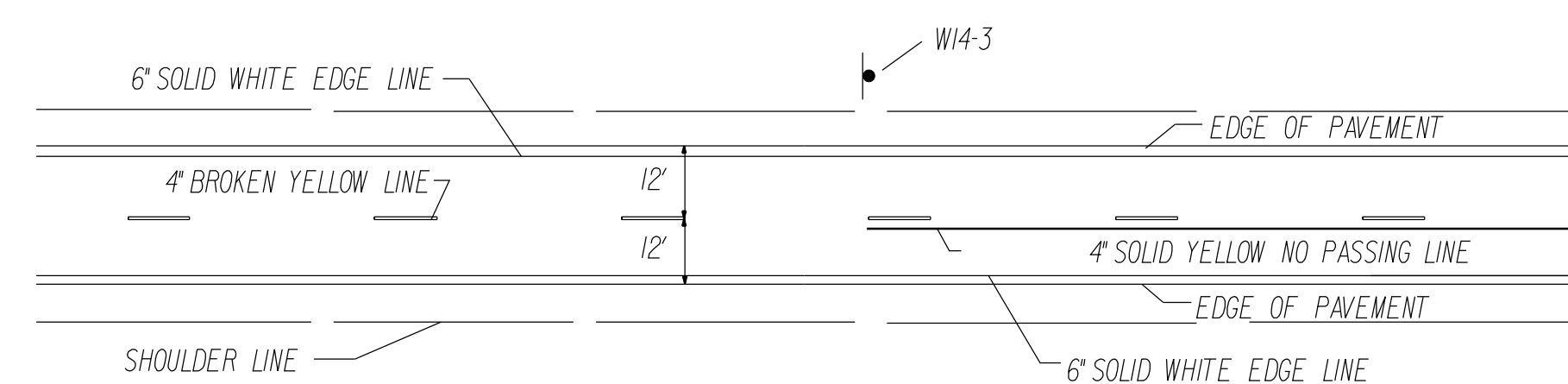
TYPICAL MARKINGS FOR FOUR LANE ROADWAY



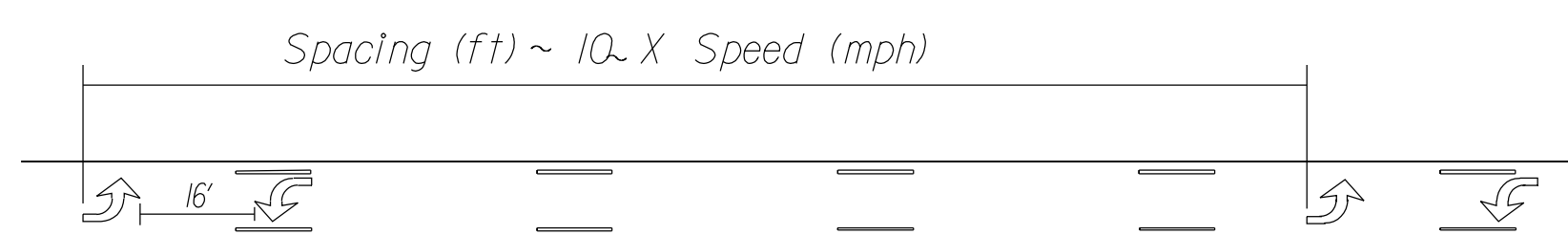
TWO-WAY LEFT TURN DETAIL FOR THREE LANE ROADWAY



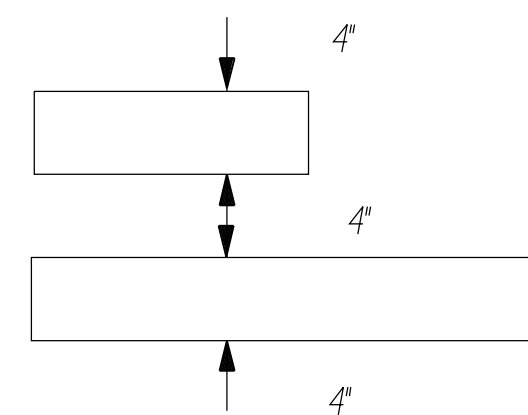
TYPICAL SPACING FOR BROKEN LINES UNLESS OTHERWISE NOTED ON PLANS



TYPICAL TWO LANE MARKINGS



TWO-WAY LEFT TURN ARROW SPACING DETAIL



TYPICAL SPACING FOR NO PASSING LINES UNLESS OTHERWISE NOTED ON PLANS

NOTE:  
LONGITUDINAL PAVEMENT MARKING LINES SHALL BE OFFSET A MINIMUM OF 2" FROM LONGITUDINAL PAVEMENT JOINTS.

NOTE:  
ON NON I, US, AND K ROUTES, 4" EDGE LINES MAY BE INSTALLED. 6" EDGE LINES ARE NOT REQUIRED ON NON I, US, AND K ROUTES.

Plotted By: ccabanka  
 Plot File: g:\w\08\0002\ROAD\Draws\308.dgn  
 Plot Date: 8/10/2010

|     |            |  |     |       |
|-----|------------|--|-----|-------|
| 3   |            |  |     |       |
| 2   | 09/20/2005 | Removed auxiliary passing lane dotted extension line | JFF | BDC   |
| 1   | 07/26/2005 | New FHWA Approval Date                               | JFF | BDC   |
| NO. | DATE       |  | BY  | APP'D |

KANSAS DEPARTMENT OF TRANSPORTATION

TYPICAL PAVEMENT MARKING DETAILS FOR UNDIVIDED ROADWAYS

TE308

|               |            |            |               |
|---------------|------------|------------|---------------|
| FHWA APPROVAL | 07/26/2005 | APP'D      | Brian D.Gower |
| DESIGNED      | JFF        | QUANTITIES | JFF           |
| DESIGN CK.    | BDC        | QUAN. CK.  | TRACED CK.    |