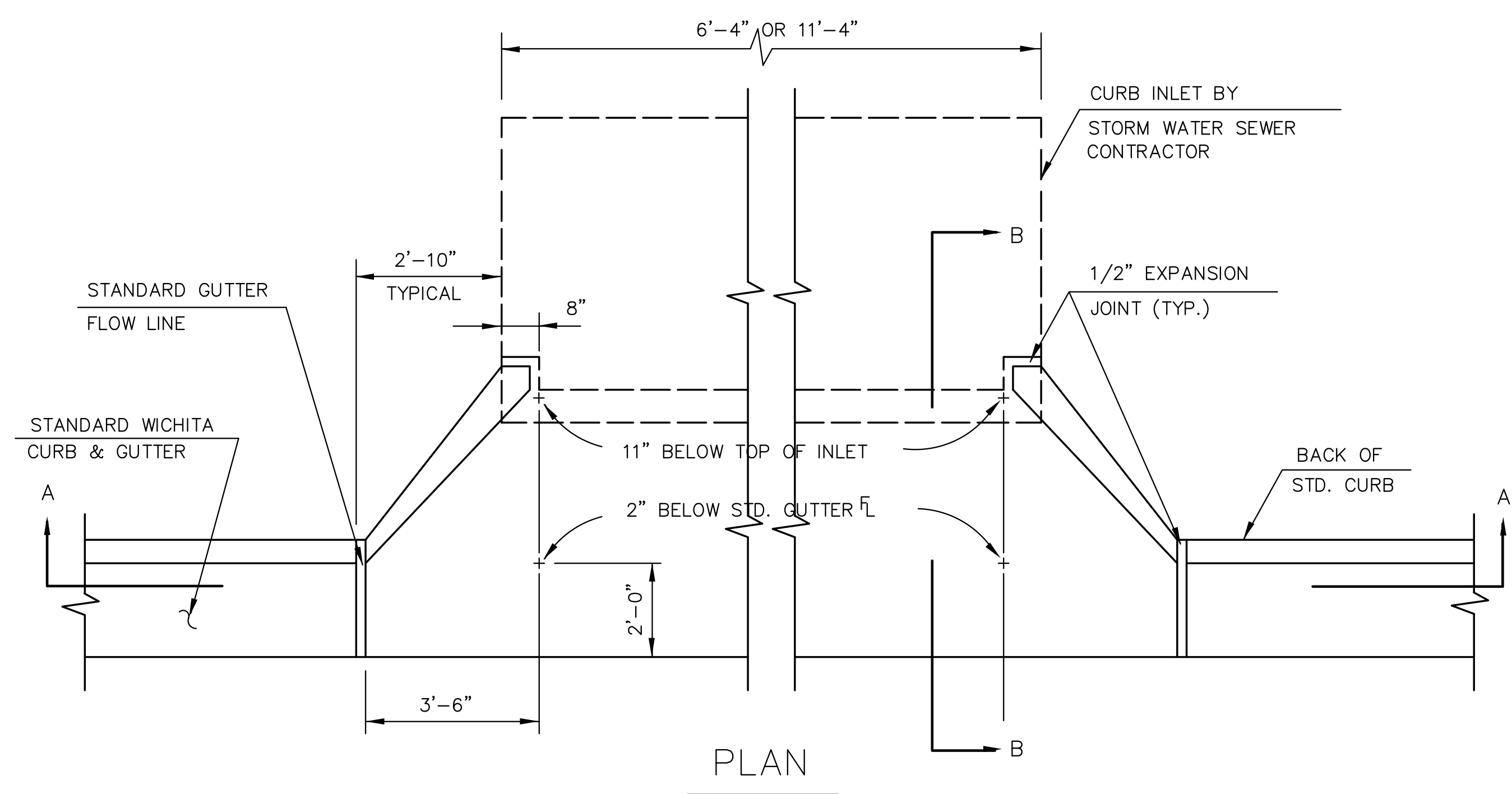
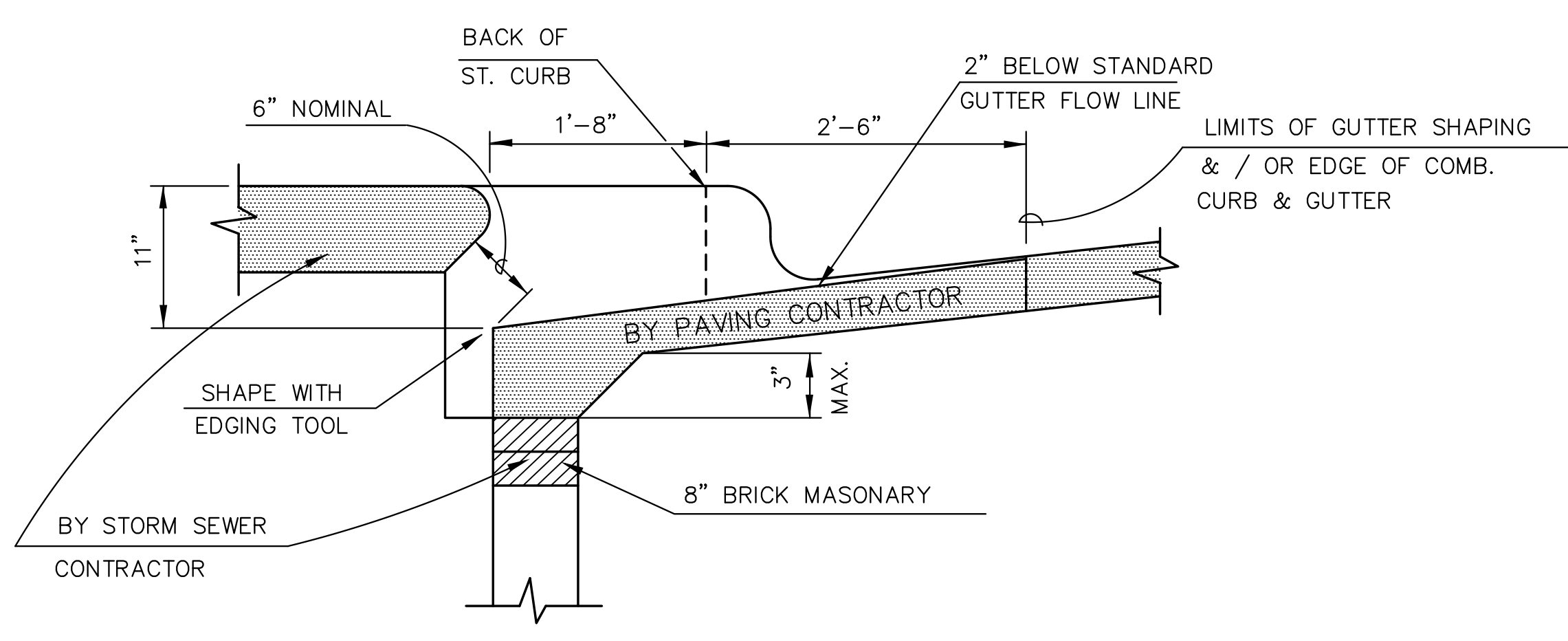
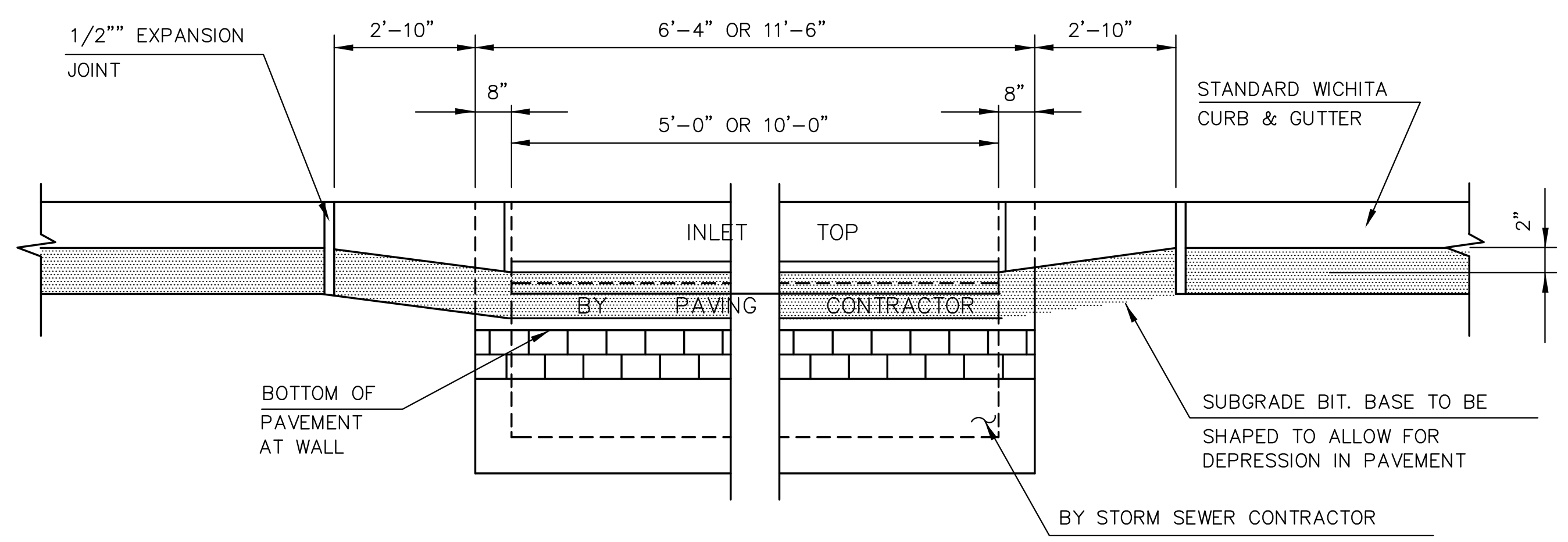


**STORM WATER SEWER PLANS FOR
WATERFRONT RESIDENTIAL
PHASE 2**



GENERAL NOTES

1. USE THE CONCRETE MIX SPECIFIED FOR CITY OF WICHITA CONCRETE PAVEMENT. ALL EXPOSED EDGES SHALL BE FINISHED WITH AN EDGING TOOL.
2. TYPE 1A INLET HOOKUP WILL BE PAID EACH REGARDLESS OF SIZE.
3. ADDITIONAL CURB & GUTTER CONSTRUCTION NECESSARY TO CONNECT SET BACK INLET TO PAVEMENT WILL BE PAID FOR AT THE UNIT PRICE BID FOR EACH INLET



TYPE 1A INLET HOOKUP
(BY PAVING CONTRACTOR)

**INLET HOOKUP
DETAIL**
SHEET TITLE
06266
PROJECT NUMBER

INLET
DESIGN BY
MKEC
DRAWN BY
MKEC
CHECKED BY

ISSUED
August 2010
REVISED

SHEET NO.
4 of 17