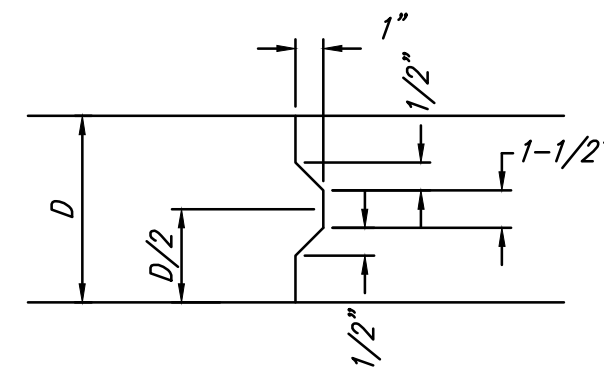
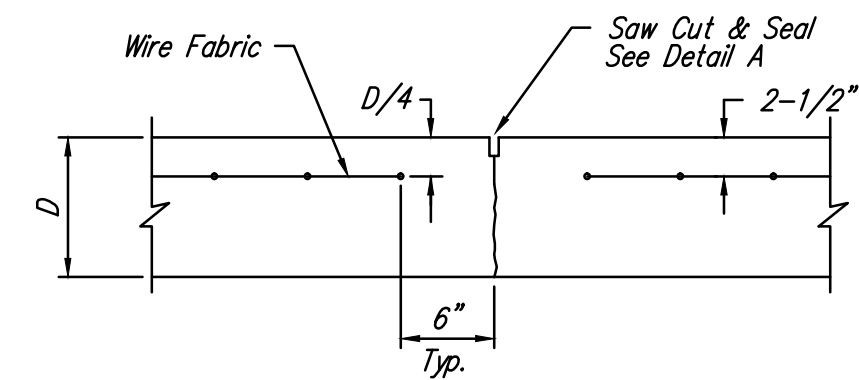


EXPANSION JOINT

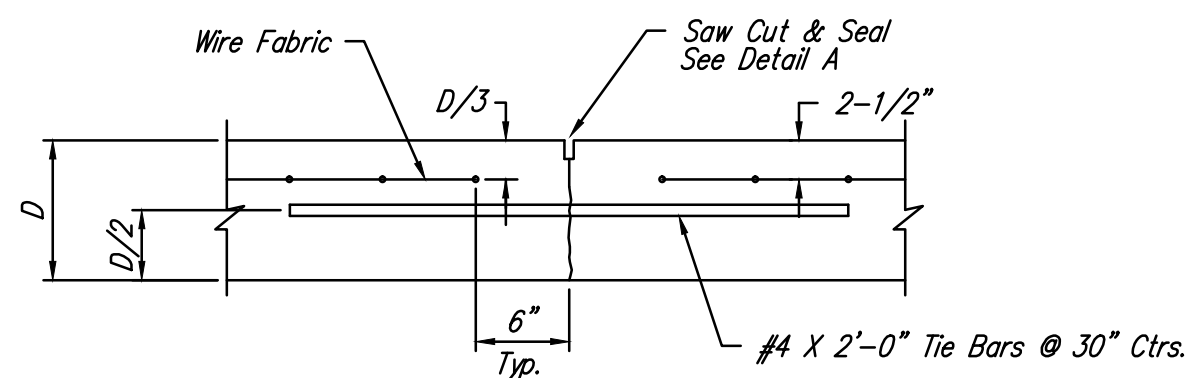
NOTE: Extra Thickness to be Subsidiary to Price of Square Yards Pavement



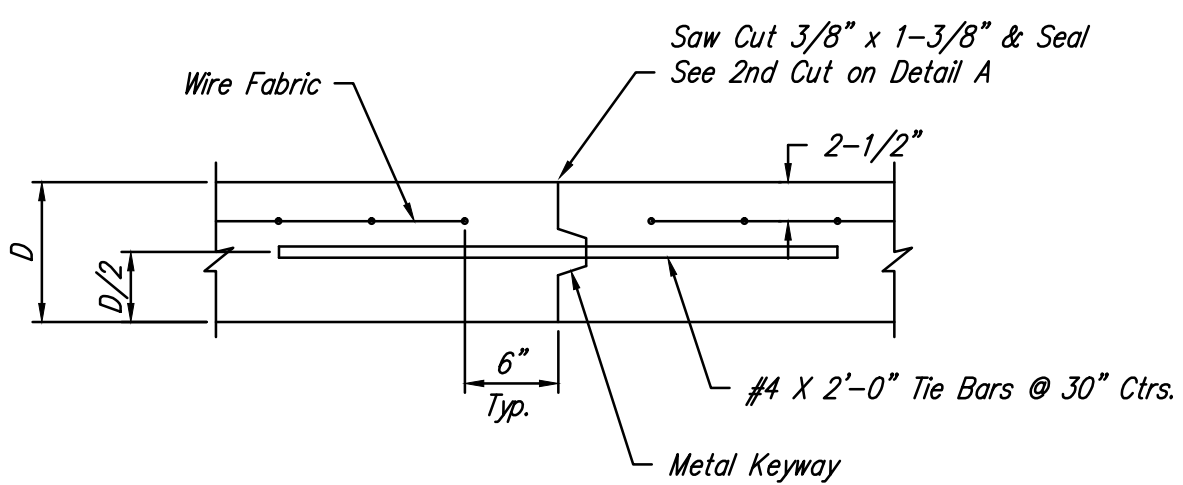
KEYWAY DETAIL



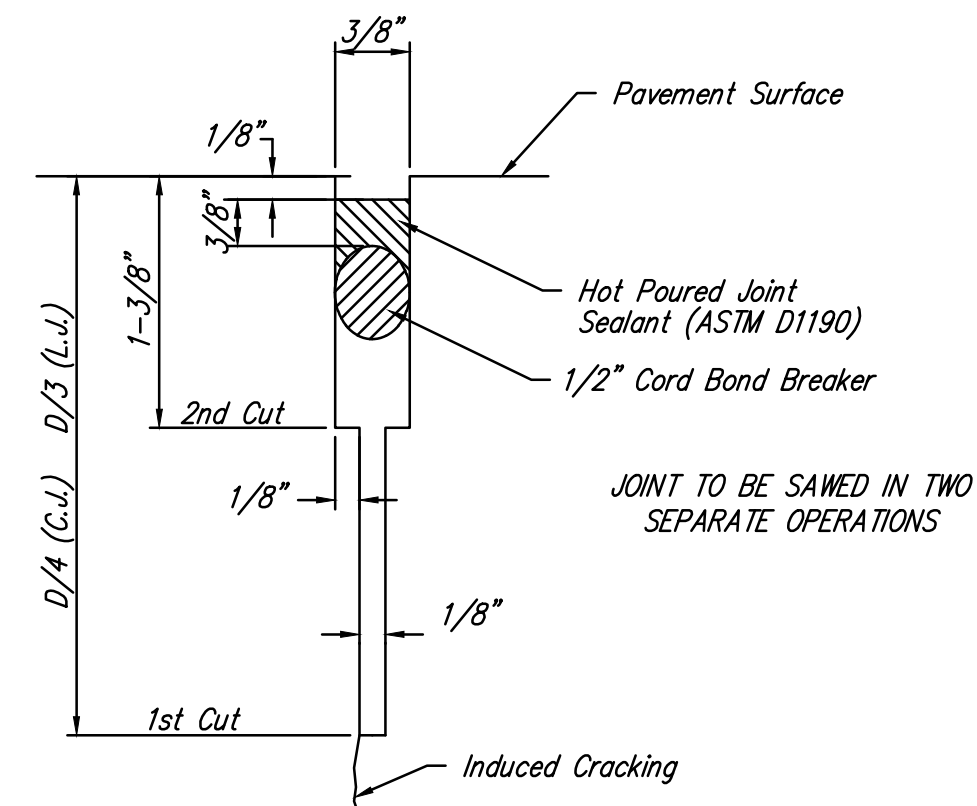
CONTRACTION JOINT DETAIL (C.J.)



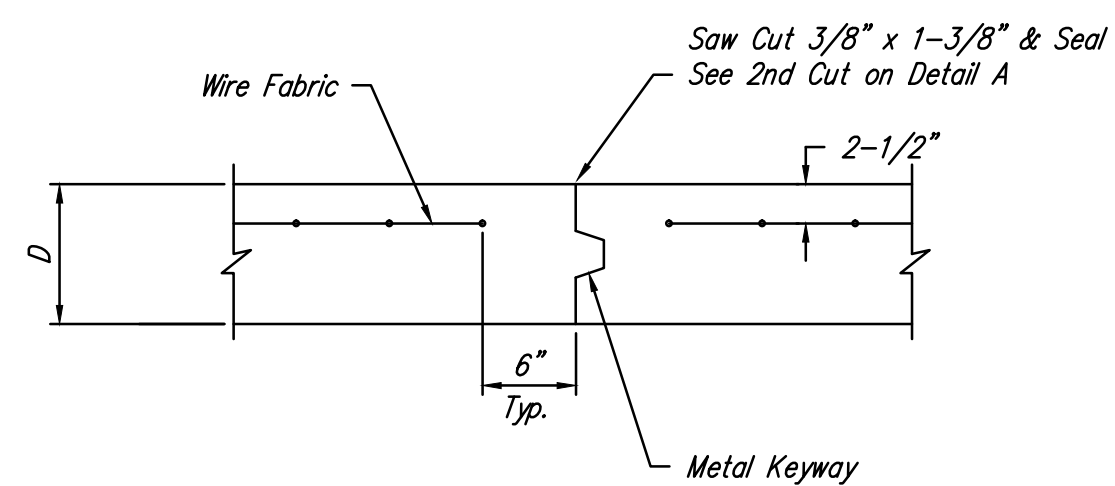
LONGITUDINAL JOINT DETAIL (L.J.)



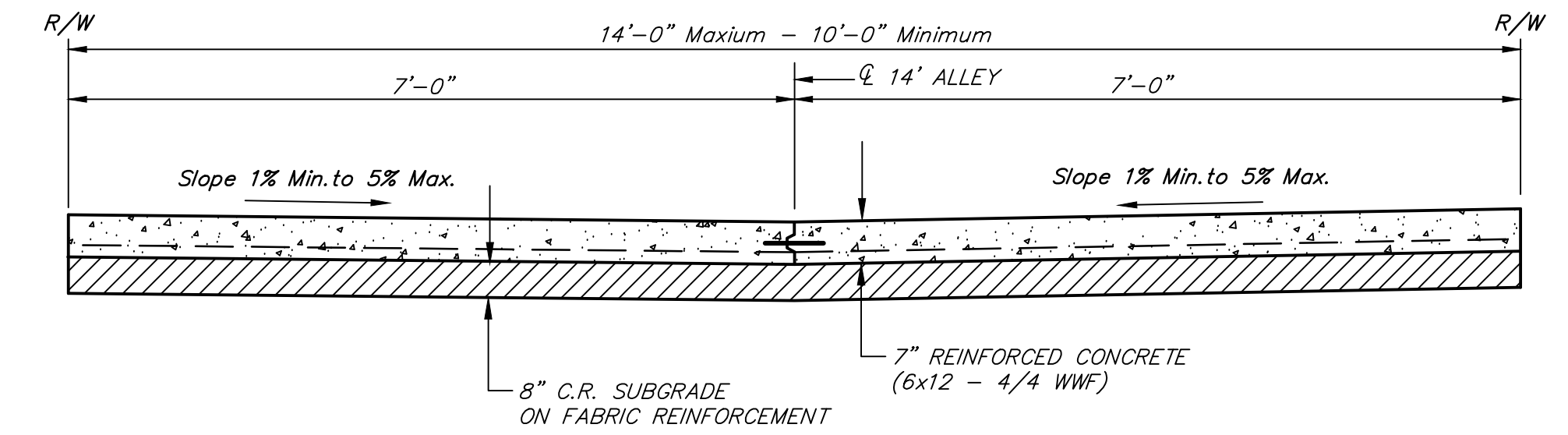
OPTIONAL LONGITUDINAL JOINT DETAIL (L.J.)



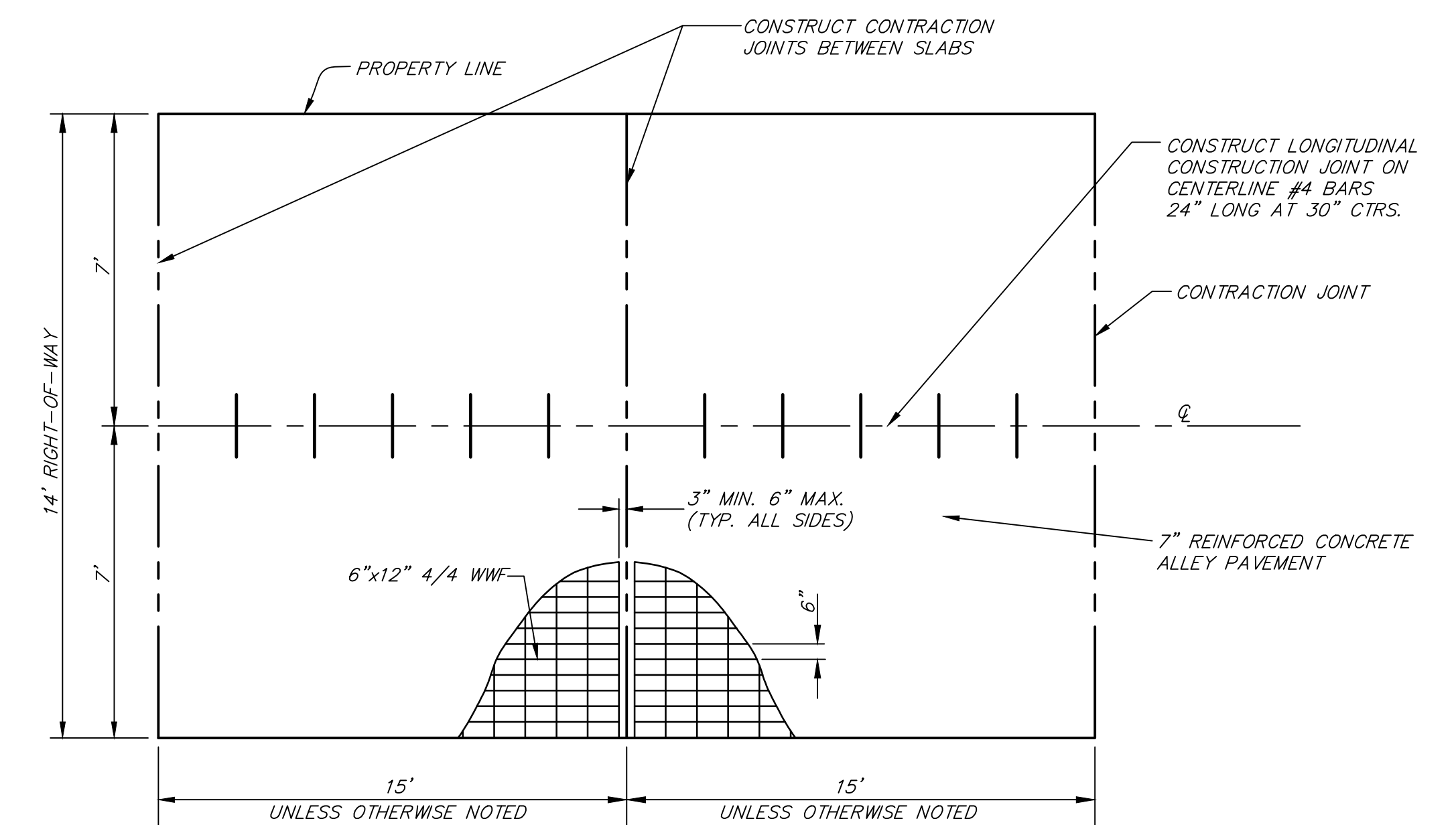
SAW JOINT DETAIL



OPTIONAL CONTRACTION JOINT

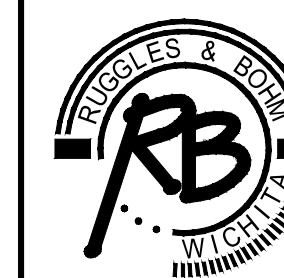


TYPICAL PAVEMENT SECTION



SLAB REINFORCEMENT DETAIL

ALLEY IMPROVEMENTS
CARGILL ALLEY
WICHITA, KANSAS



Ruggles & Bohm, P.A.
Engineering, Surveying, Land Planning
924 North Main
Wichita, Kansas 67203
www.rbkansas.com
(316) 264-8008
(316) 264-4621 fax
E-mail: info@rbkansas.com

DRAWING FILE ENG BASE {ALLEY PAVE 2}	PROJECT NUMBER 472-84913	DATE Aug. 30, 2010
---	-----------------------------	-----------------------

DESIGN EG	SHEET 3 OF 13
DRAWN MLP	
REVIEW July 16, 2010	
UTILITY	