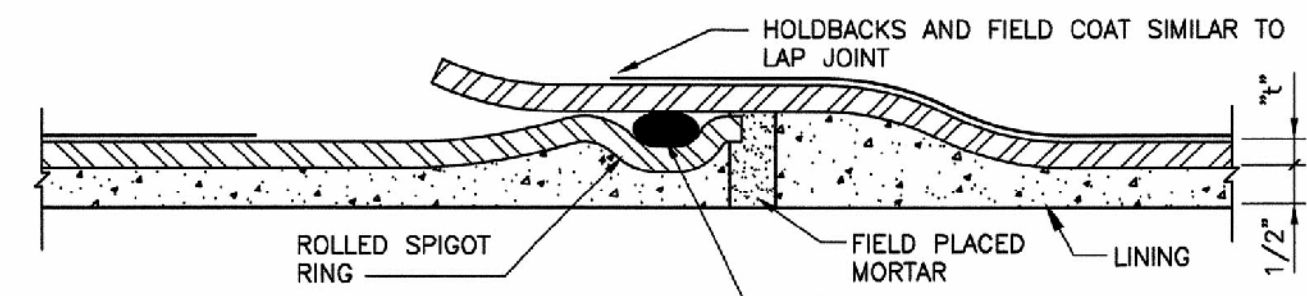
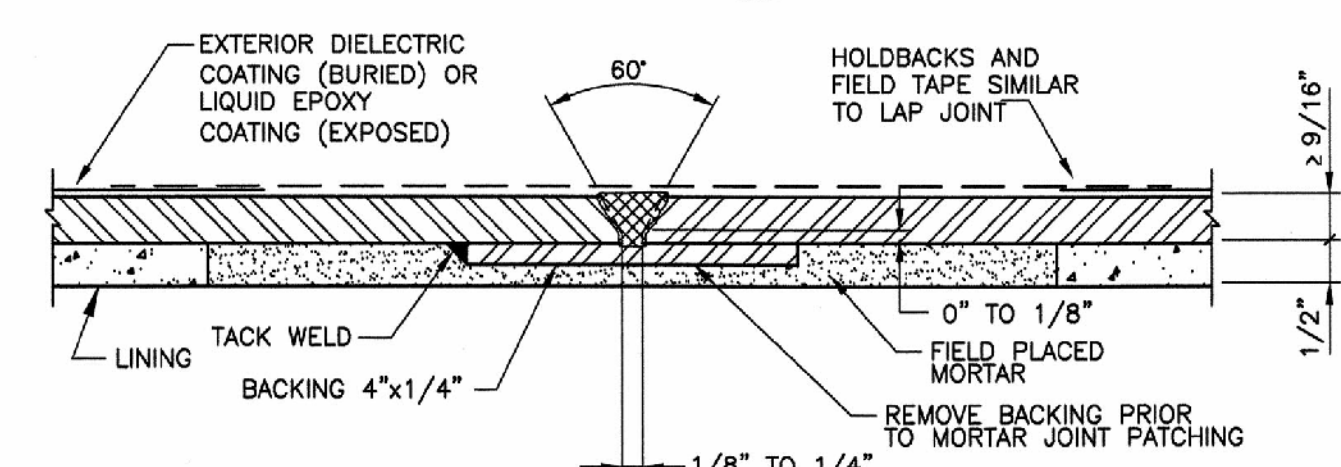


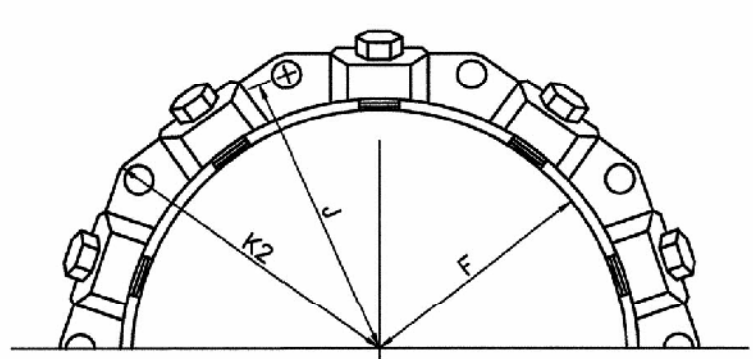
STEEL LAP JOINT
DETAIL A
NTS



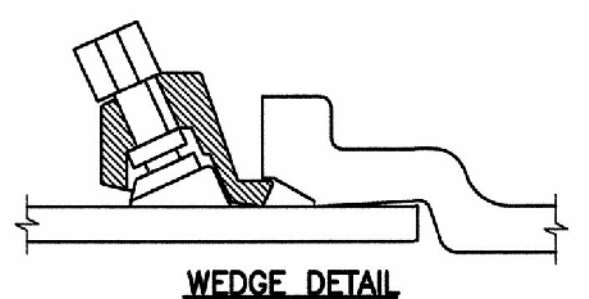
STEEL ROLLED SPIGOT JOINT
DETAIL B
NTS



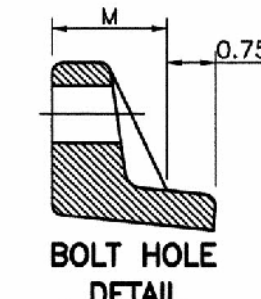
STEEL SINGLE-V BUTT JOINT JOINT
DETAIL C
NTS



MECHANICAL JOINT RESTRAINT



WEDGE DETAIL



BOLT HOLE DETAIL

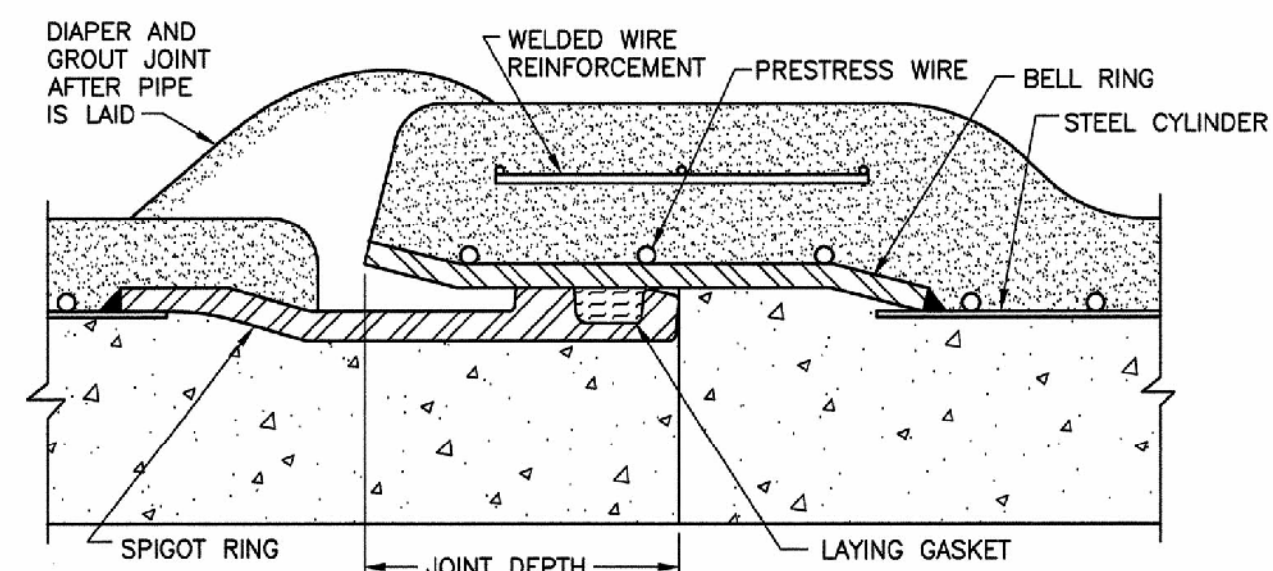
SUPPLEMENTAL MECHANICAL RESTRAINT
DETAIL D
NTS

STANDARD DETAILS SHOWN ON THIS SHEET SHALL BE USED AT ALL APPLICABLE LOCATIONS, UNLESS OTHERWISE NOTED. ALL STANDARD DETAILS SHOWN MAY NOT BE REQUIRED FOR THIS PROJECT.

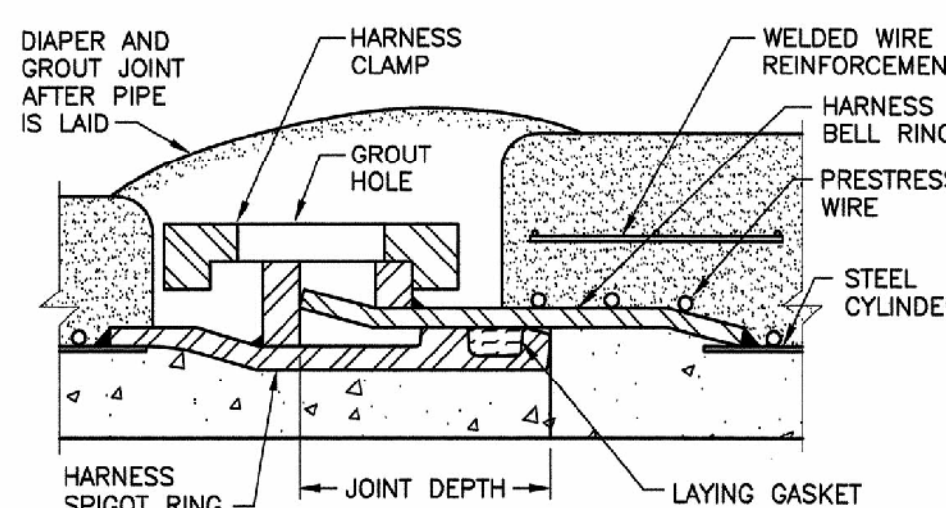
DIMENSIONS

NOMINAL PIPE SIZE	NO. OF BOLTS	NO. OF WEDGES	K2 INCHES	J INCHES	F INCHES	M INCHES
4"	2	2	9.13	7.50	4.90	0.50
6"	6	6	11.13	9.50	7.00	0.50
8"	6	6	13.38	11.75	9.15	0.62
10"	8	8	15.63	14.00	11.20	0.62
12"	8	8	17.88	16.25	13.30	0.75
14"	10	10	20.38	18.75	15.49	0.88
16"	12	12	22.63	21.00	17.58	0.88
18"	12	12	24.88	23.25	19.68	1.13
20"	14	14	27.13	25.50	21.79	1.25
24"	16	16	31.63	30.00	25.99	1.42
4"	4	2	9.12	7.50	4.90	0.75
6"	6	3	11.12	9.50	7.00	0.88
8"	6	4	13.37	11.75	9.15	1.00
10"	8	6	15.62	14.00	11.20	1.00
12"	8	8	17.88	16.25	13.30	1.25
14"	10	10	20.25	18.75	15.44	1.50
16"	12	12	22.50	21.00	17.54	1.56
18"	12	12	24.75	23.25	19.64	1.63
20"	14	14	27.00	25.50	21.74	1.69
24"	16	16	31.50	30.00	25.94	1.81

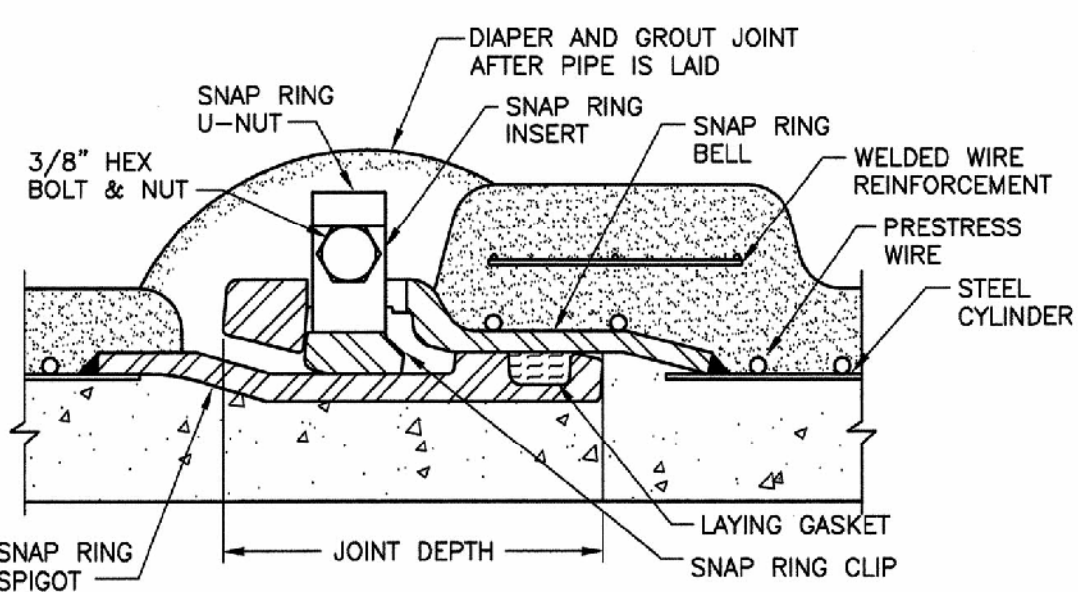
NOTE: USE EBBA IRON "MEGALUG", SERIES 1100 (DIP), SERIES 2000PV (PVC) OR APPROVED EQUAL



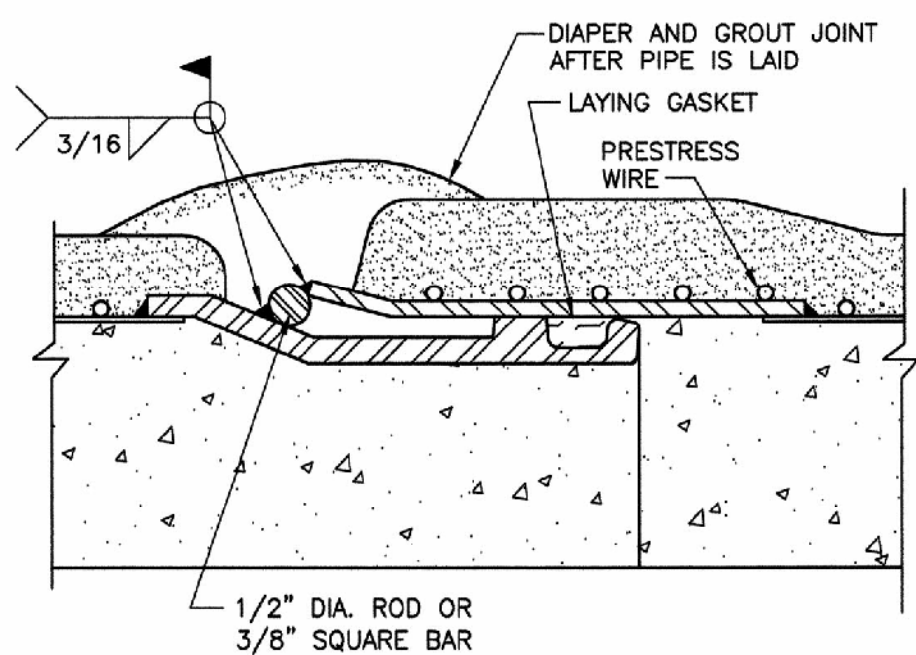
LCP STANDARD JOINT
DETAIL E
NTS



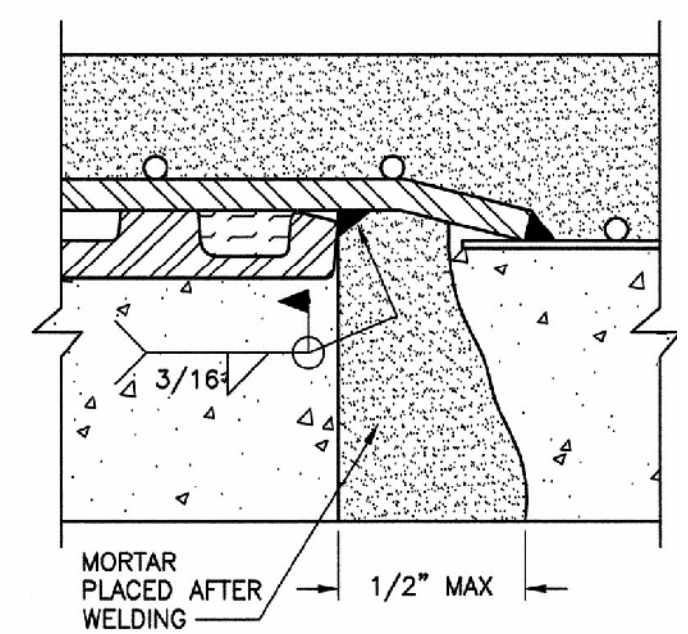
LCP HARNESS JOINT
DETAIL F
NTS



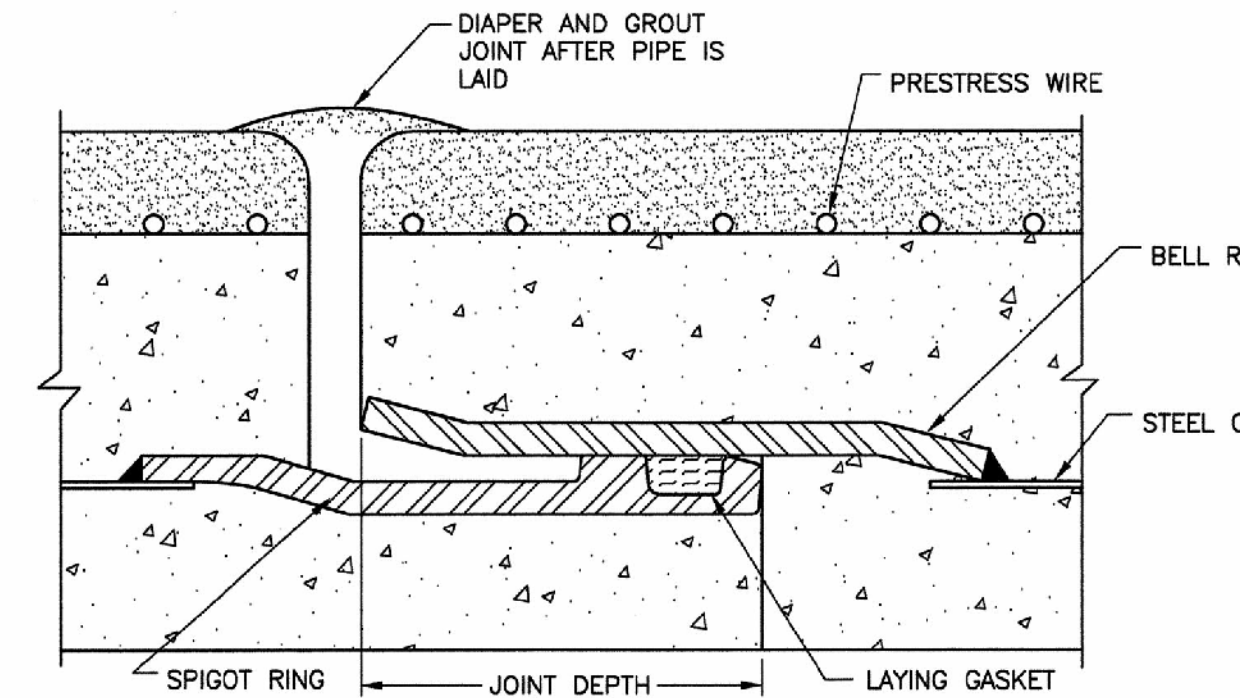
LCP SNAP RING JOINT
DETAIL G
NTS



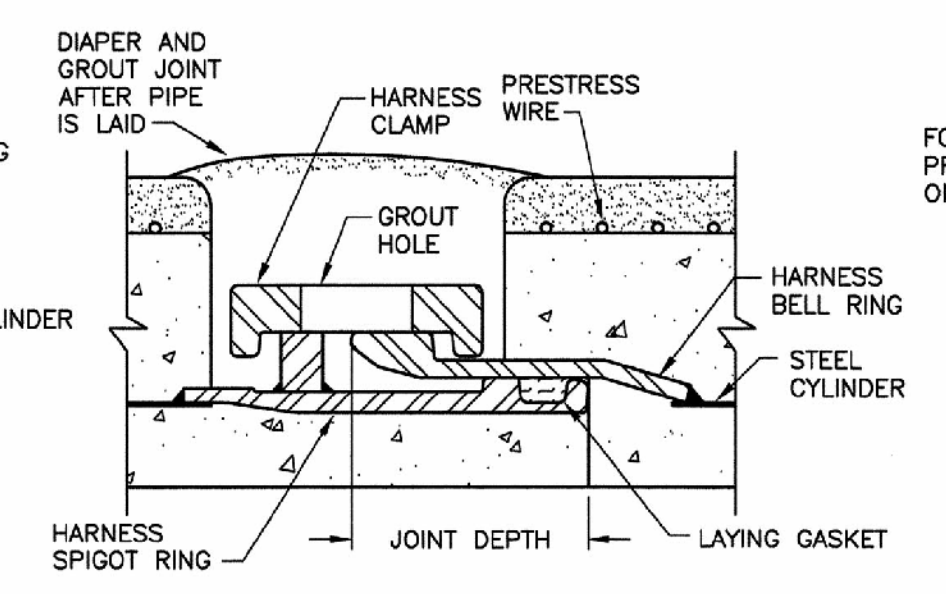
LCP WELDED JOINT
DETAIL H
NTS



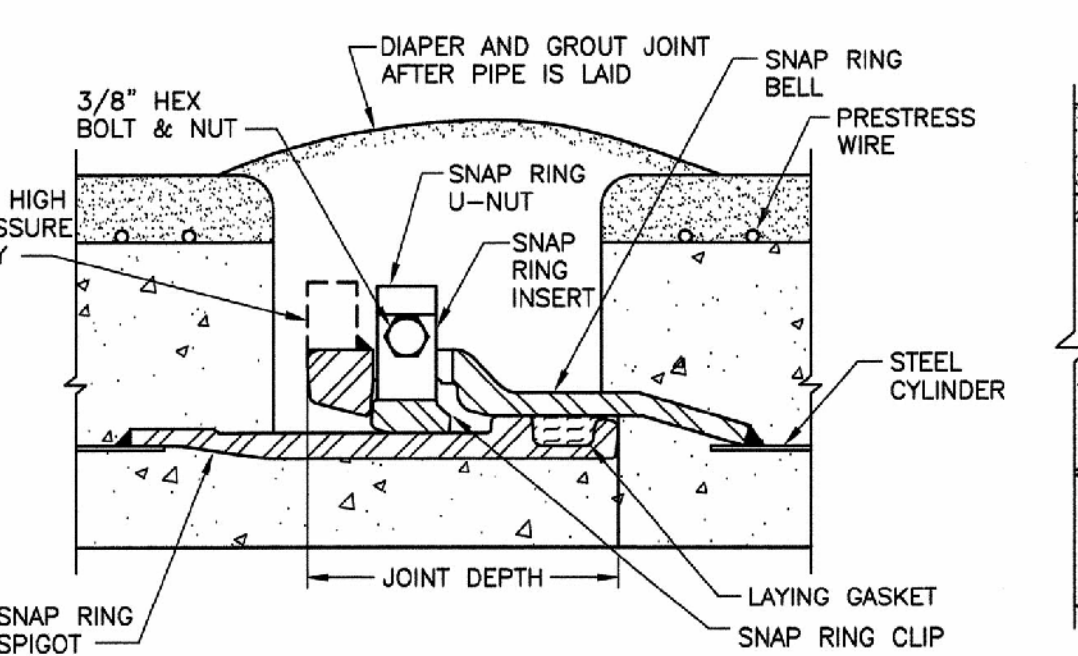
LCP INTERNAL JOINT REPAIR
DETAIL I
NTS



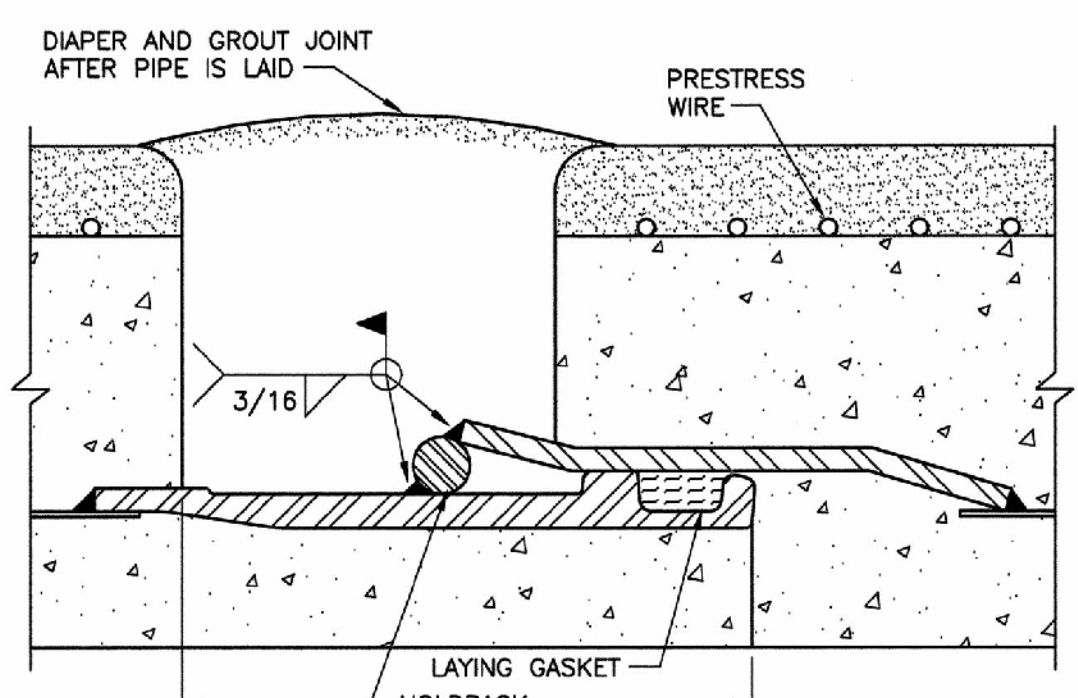
ECP STANDARD JOINT
DETAIL J
NTS



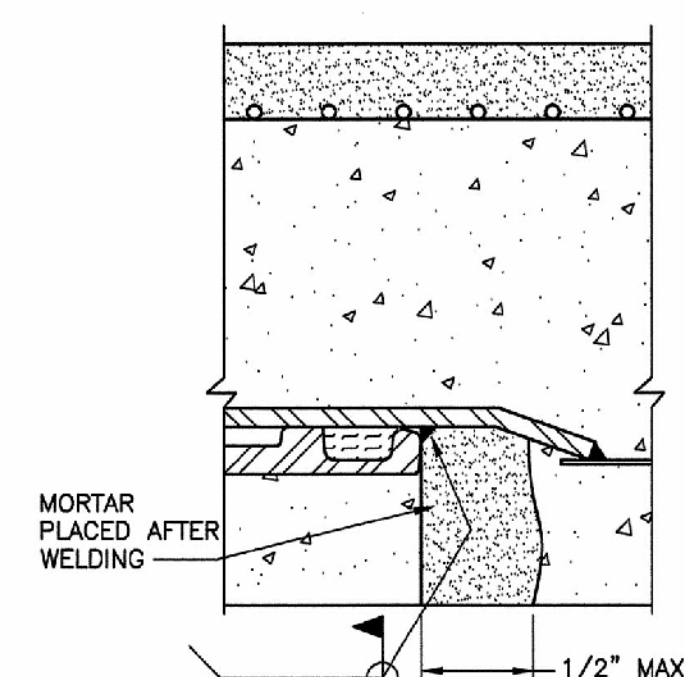
ECP HARNESS JOINT
DETAIL K
NTS



ECP SNAP RING JOINT
DETAIL L
NTS



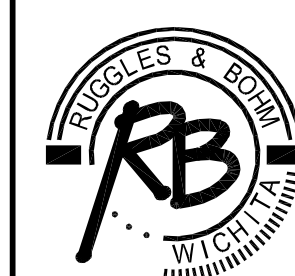
ECP WELDED JOINT
DETAIL M
NTS



ECP INTERNAL JOINT REPAIR
DETAIL N
NTS



**BENTLEY TIE IN
STANDARD DETAILS
WICHITA, KANSAS**



Ruggles & Bohm, P.A.
Engineering, Surveying, Land Planning
924 North Main (316) 264-8008
Wichita, Kansas 67203 (316) 264-4621 fax
www.rbkansas.com E-mail: info@rbkansas.com

DRAWING FILE Details {04 Details}	PROJECT NUMBER W-549	DATE June 28, 2010
--------------------------------------	-------------------------	-----------------------

DESIGN AML	REV. JOB 3523W
DRAWN AML	SHEET 4
REVIEW	OF 23
UTILITY	