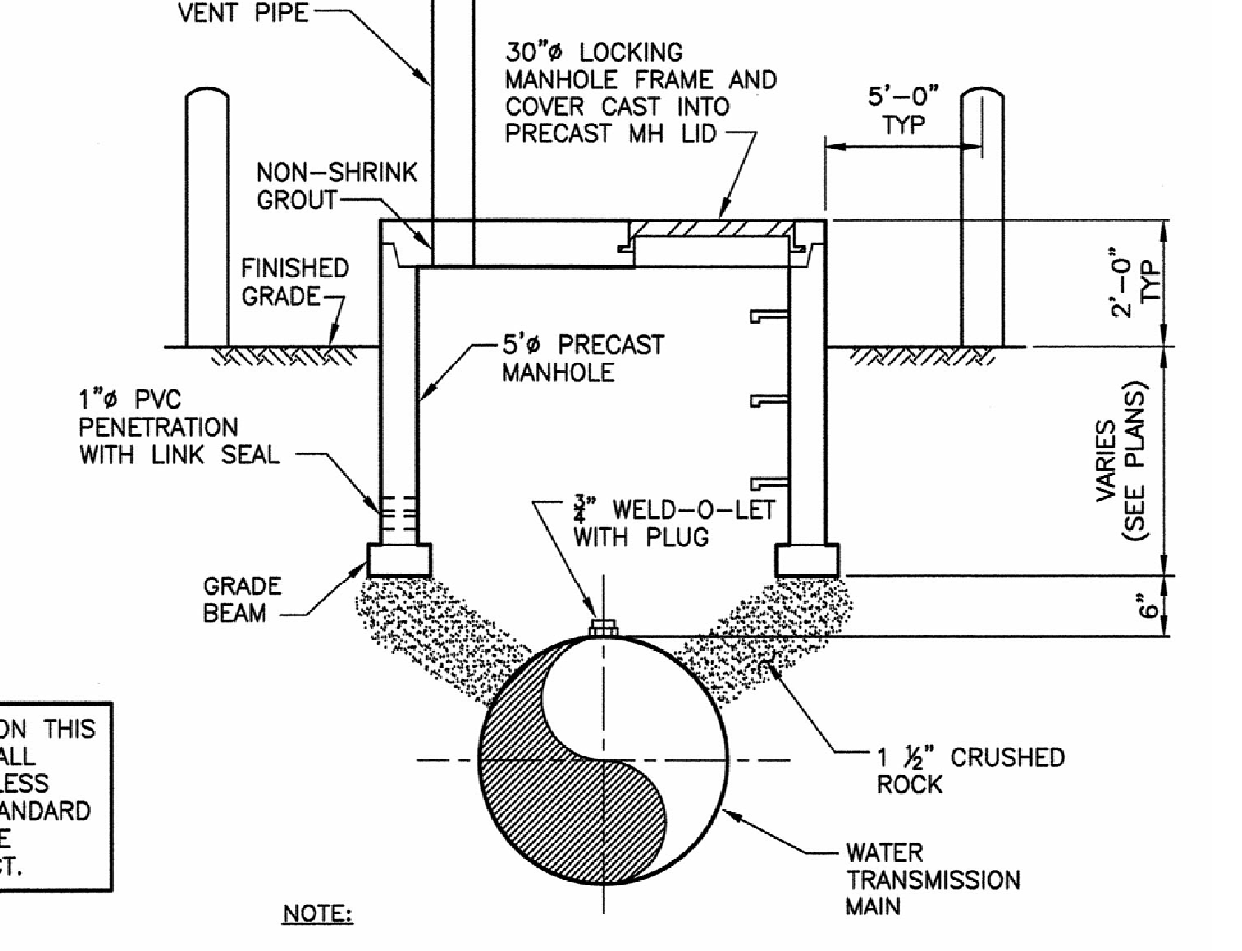
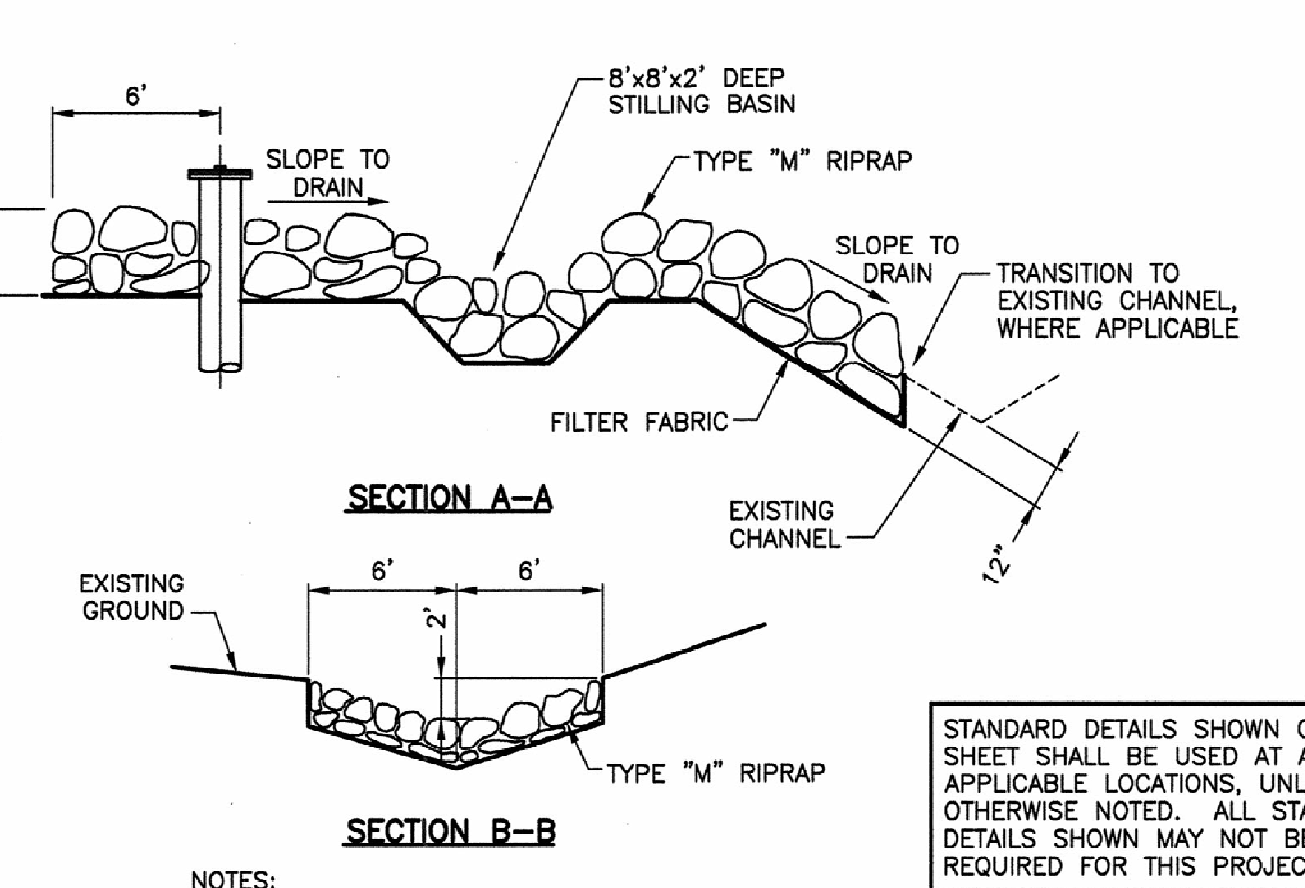
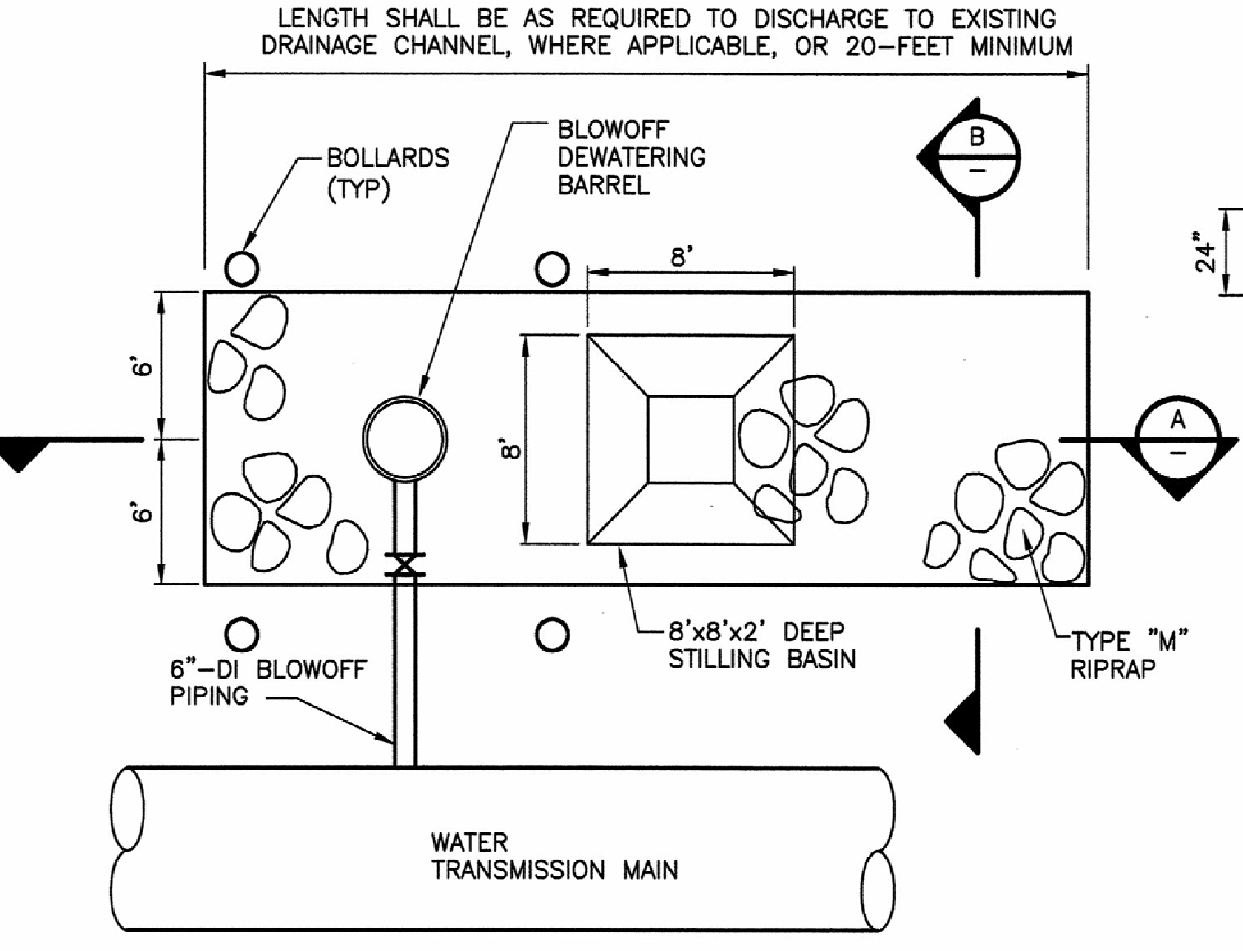
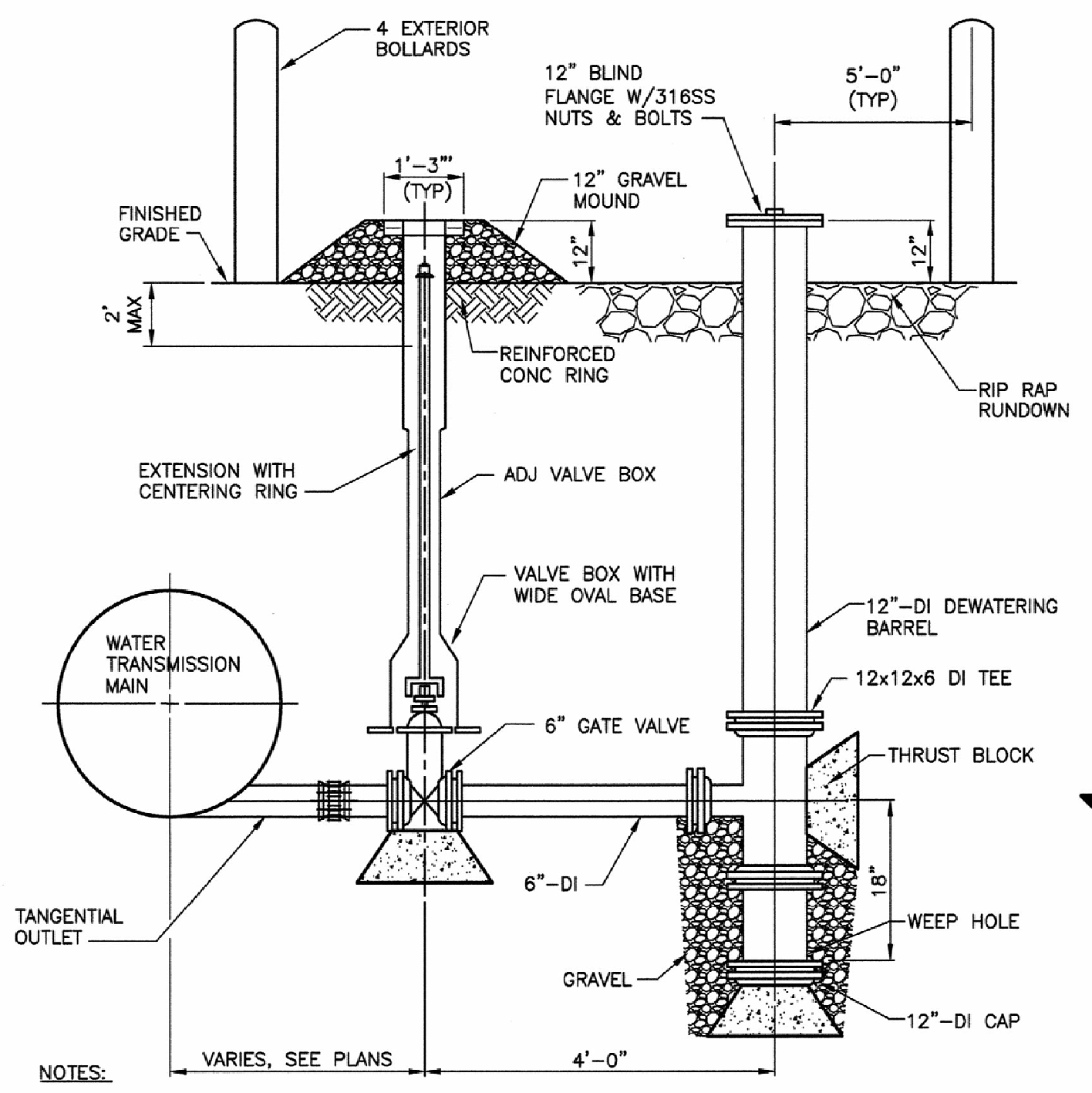
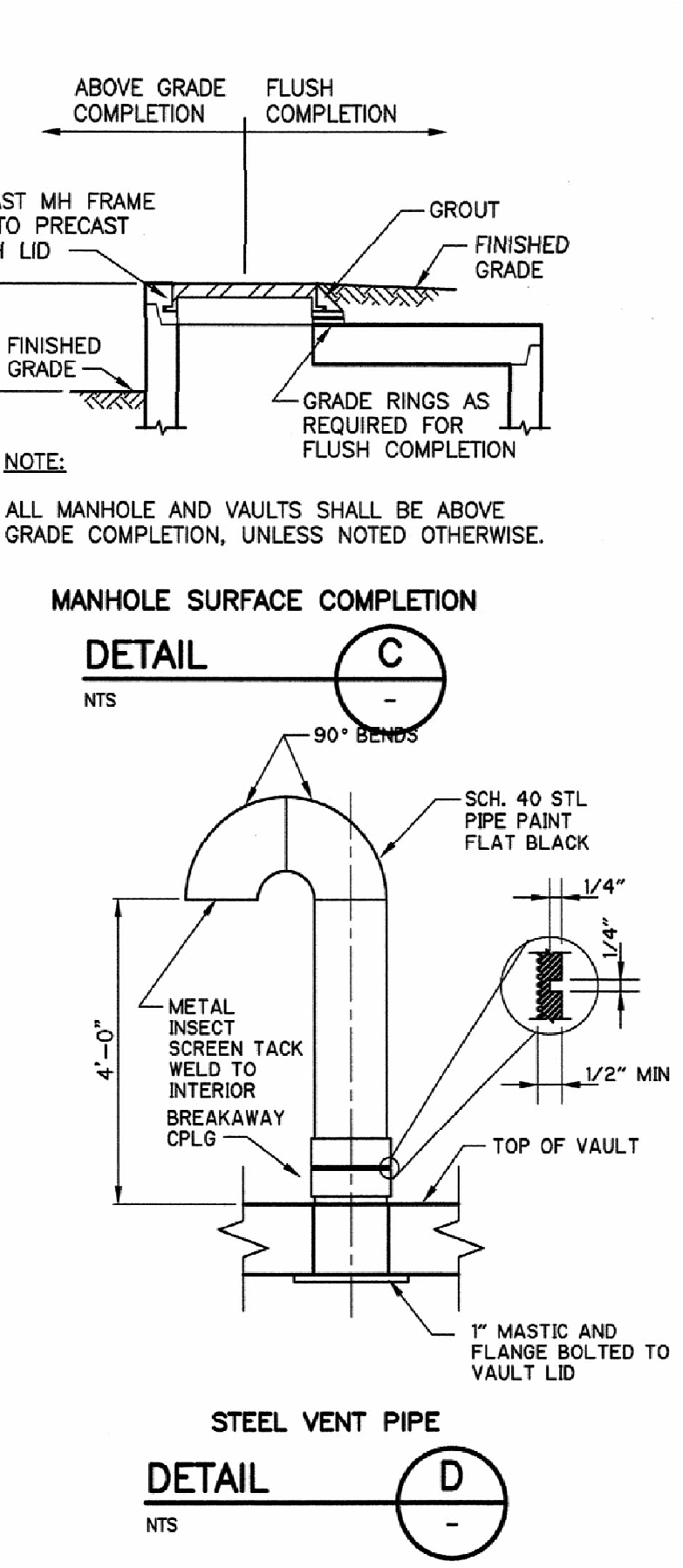
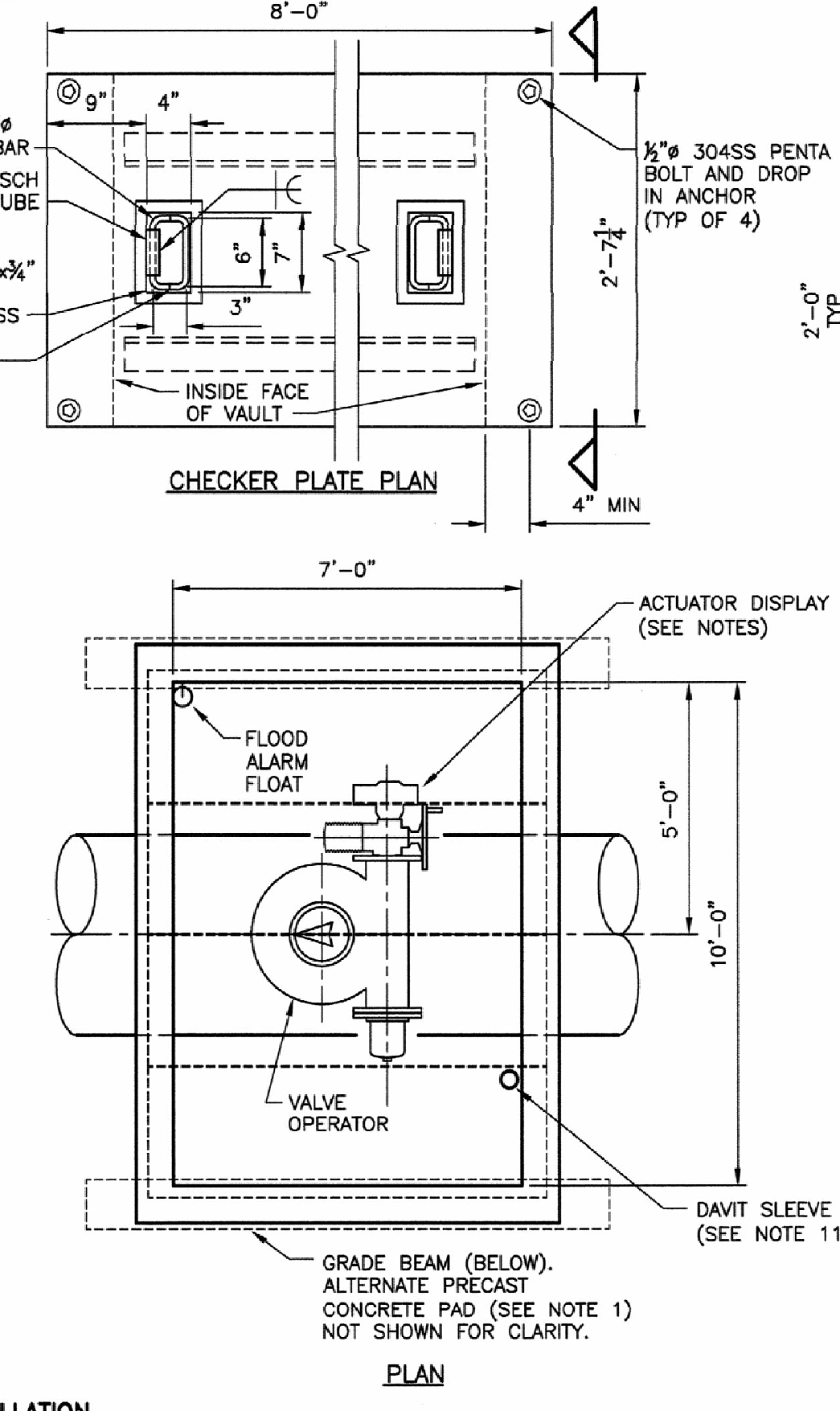
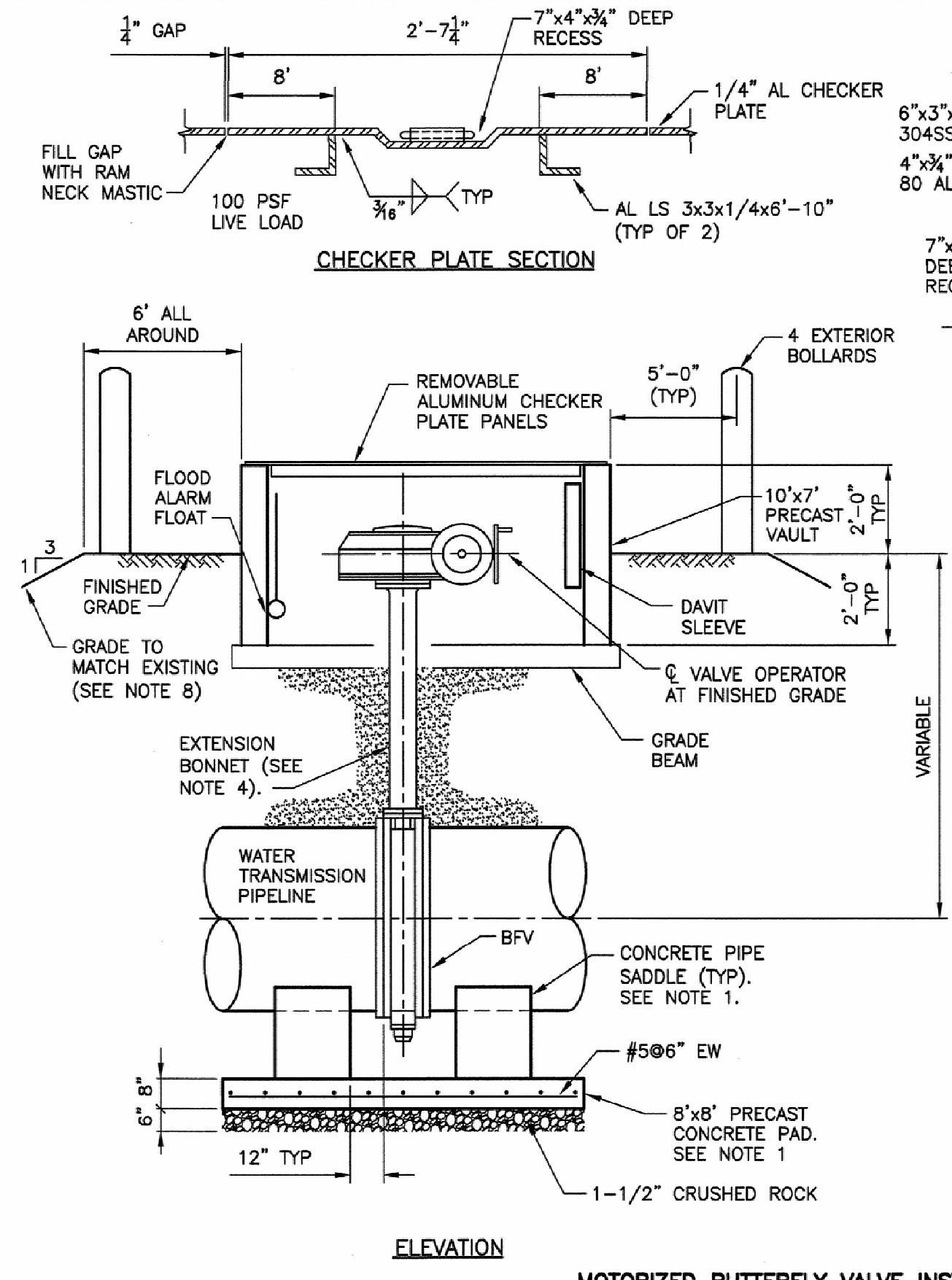


- BUTTERFLY VALVE NOTES (DETAILS A AND B):**
1. THE 8'x8' PRECAST CONCRETE SLAB AND CONCRETE PIPE SADDLES SHALL BE INSTALLED ON ALL MANUAL AND MOTORIZED VALVES GREATER THAN 48-INCHES. VALVES LESS THAN OR EQUAL TO 48-INCHES SHALL BE DIRECT BURY AND TRENCH BACKFILL CONDITIONS SHALL APPLY.
  2. VALVES LESS THAN OR EQUAL TO 24-INCHES MAY HAVE FLANGED OR RESTRAINED MECHANICAL JOINT ENDS. VALVES GREATER THAN 24-INCHES SHALL HAVE FLANGED ENDS. WHERE FLANGED END VALVES ARE PROVIDED ADJACENT TO CAPS ON PIPE LATERALS OR WELL SPURS, A FLG/MJ TRANSITION PIECE SHALL BE PROVIDED BETWEEN THE FLANGE AND MJ CAP.
  3. SEE TRENCH DETAILS FOR BEDDING AND COMPACTION REQUIREMENTS.
  4. PROVIDE EXTENSION BONNET AS REQUIRED TO POSITION MOTORIZED VALVE ACTUATORS AT FINISHED GRADE.
  5. SEE VALVE SCHEDULE FOR MANUAL VS MOTORIZED ACTUATORS.
  6. SEE VALVE SCHEDULE FOR MANHOLE SURFACE COMPLETION (ABOVE GRADE OR FLUSH WITH GRADE).
  7. FOR VAULTS LOCATED IN THE FLOODPLAIN, ADD 4- FEET OF COMPACTED FILL AROUND THE VALVE VAULT, INSTALL THE VAULT AND ACTUATOR AS SHOWN FOR AT GRADE INSTALLATIONS, AND GRADE THE 4-FOOT FILL AWAY FROM VAULT AT 3:1 SIDE SLOPE TO MATCH EXISTING GRADE.
  8. REMOVABLE ALUMINUM CHECKER PLATE PANELS TO BE INSTALLED IN 4 SECTIONS PER DETAIL. PROVIDE 2 LIFTING HANDLES AND 4 PENTA SOCKET ANCHOR BOLTS FOR EACH PANEL.
  9. ORIENT ACTUATOR DISPLAY AND PILOT DEVICES SO THEY ARE EASILY ACCESSIBLE.
  10. CONTRACTOR SHALL FURNISH AND INSTALL DAVIT SLEEVE, PER MANUFACTURE'S RECOMMENDATION. COORDINATE WITH OWNER FOR MAKE AND MODEL OF DAVIT.



- NOTES:**
1. WEEP HOLES TO BE KEPT CLEAR DURING CONSTRUCTION AND BACKFILL. CONCRETE FOR THRUST BLOCKING SHALL NOT OBSTRUCT WEEP HOLES.
  2. CONCRETE THRUST BLOCKING SHALL BE KEPT CLEAR OF BOLTS, NUTS, AND MJ ACCESSORIES. ALL JOINTS SHALL BE FULLY RESTRAINED.
  3. MINIMUM 1 CU. FT. GRAVEL PER WEEP HOLE

- NOTES:**
1. PRIOR TO OPERATION OF BLOWOFF FOR PIPELINE FLUSHING, ALL LOCAL REQUIREMENTS FOR DECHLORINATION AND BEST MANAGEMENT PRACTICES (BMPs) SHALL BE IN PLACE.
  2. THE FINAL CONFIGURATION AND ORIENTATION OF RIP RAP RUNDOWNS WILL VARY BY LOCATION GIVEN SITE CONDITIONS. SOME DISCRETION MAY BE USED IN THE FIELD IN PLACING THE RIP RAP RUNDOWNS. HOWEVER, ALL FINAL INSTALLATIONS MUST BE CONTAINED WITHIN THE PERMANENT EASEMENT BOUNDARIES.



**BENTLEY TIE IN  
STANDARD DETAILS  
WICHITA, KANSAS**

	<b>Ruggles &amp; Bohm, P.A.</b> Engineering, Surveying, Land Planning		DESIGN <b>AML</b>	REVISION <b>AML</b>	SHEET <b>5</b> OF <b>23</b>
	924 North Main Wichita, Kansas 67203 www.rbkansas.com		(316) 264-8008 (316) 264-4621 fax E-mail: info@rbkansas.com		
DRAWING FILE Details {05 Details}		PROJECT NUMBER W-549		DATE June 28, 2010	