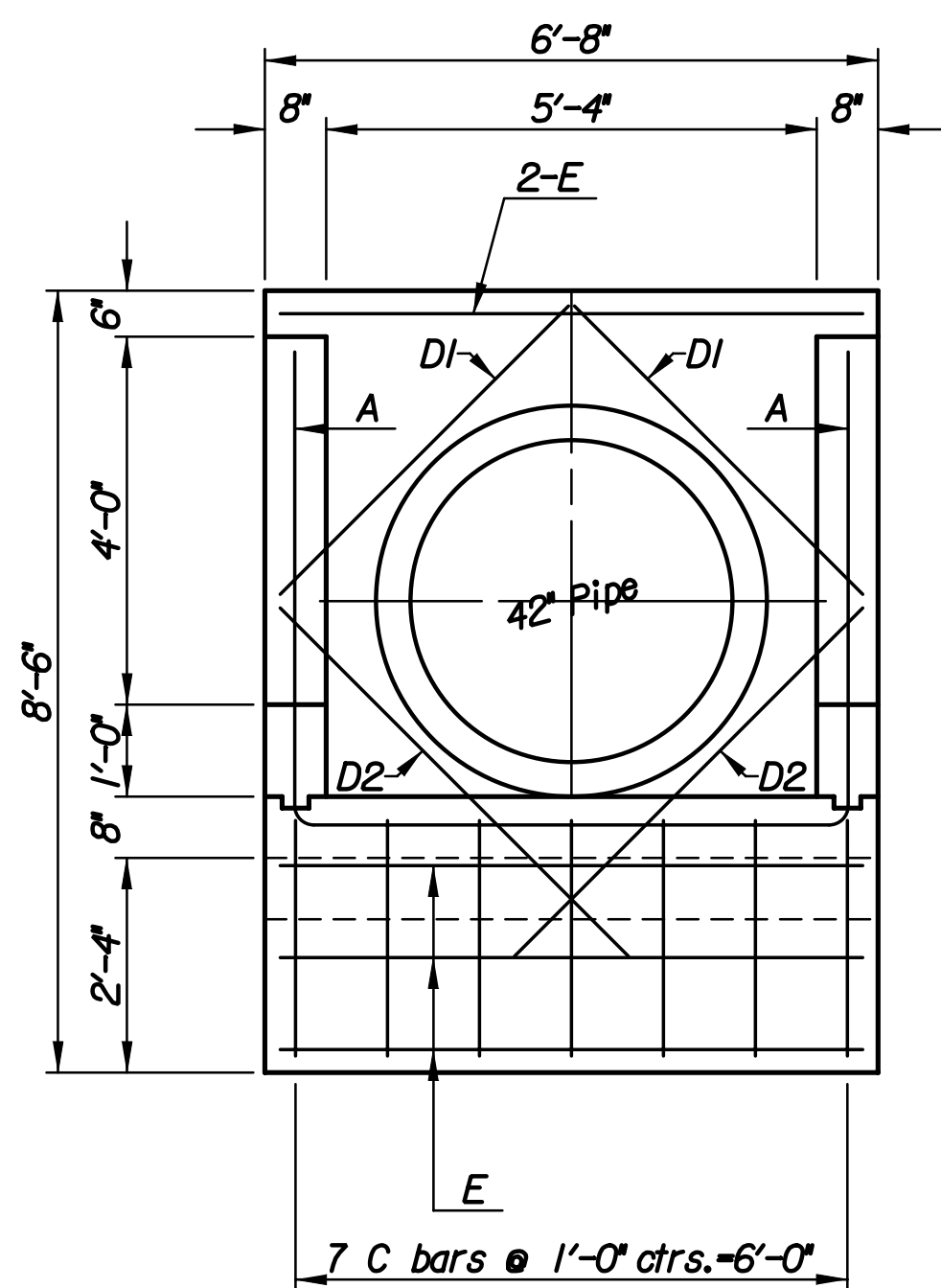
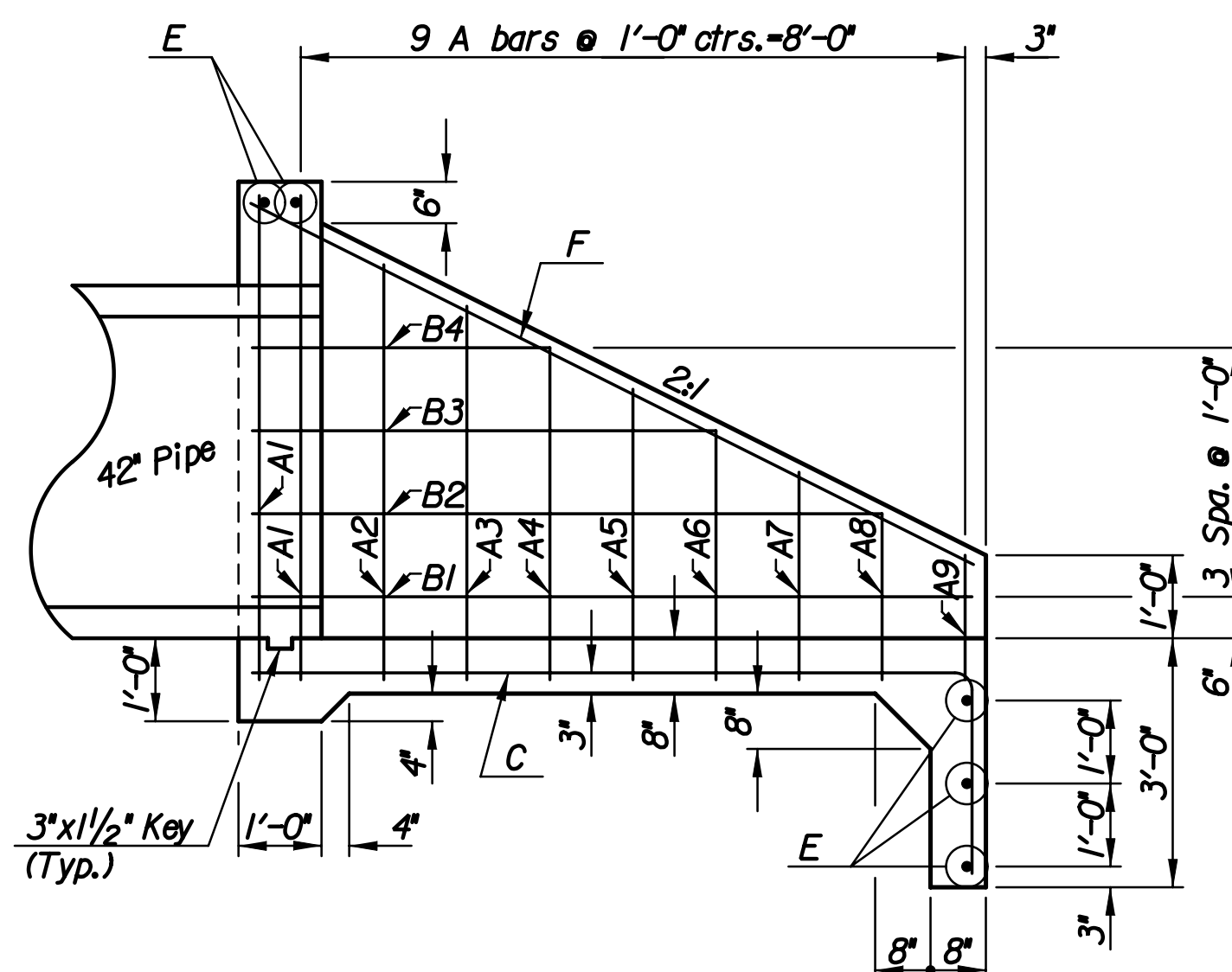


PLAN

All rebars to have 1/2" min. Concrete cover.  
All Concrete Reinforcement to be #4 bars.



FRONT



SECTION

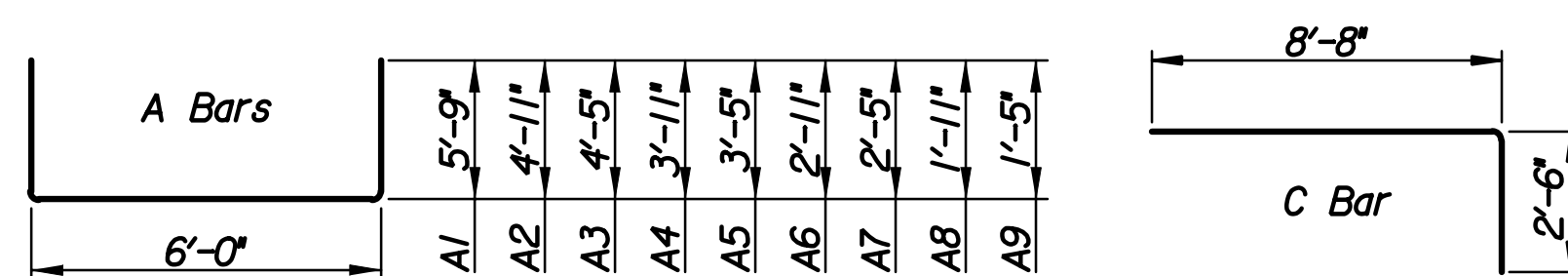
CONCRETE HEADWALL NOTES

Concrete: Bevel all exposed edges with a 3/4" triangular molding or finish with an approved edging tool. Concrete shall be as per City of Wichita Standard Specifications for concrete paving mix except that it shall have a minimum 28 day compressive strength of 4,000 p.s.i. All pipes shall be flush cut prior to being cast into the headwall.

Reinforcing Steel: All dimensions relative to reinforcing steel are to centerline of bar unless otherwise noted. All reinforcing steel shall conform to A.S.T.M. designation A615 Grade 60 and shall be epoxy coated. All clearances shall be 1/2" unless other noted.

Payment: A deduction in concrete quantities has been made for the pipe opening. Concrete Headwall shall be paid for at the unit price bid per each in place including concrete, reinforcing steel, excavation and all other miscellaneous materials, labor, tools, equipment, and incidentals necessary to complete the work. Quantities shown are for information only.

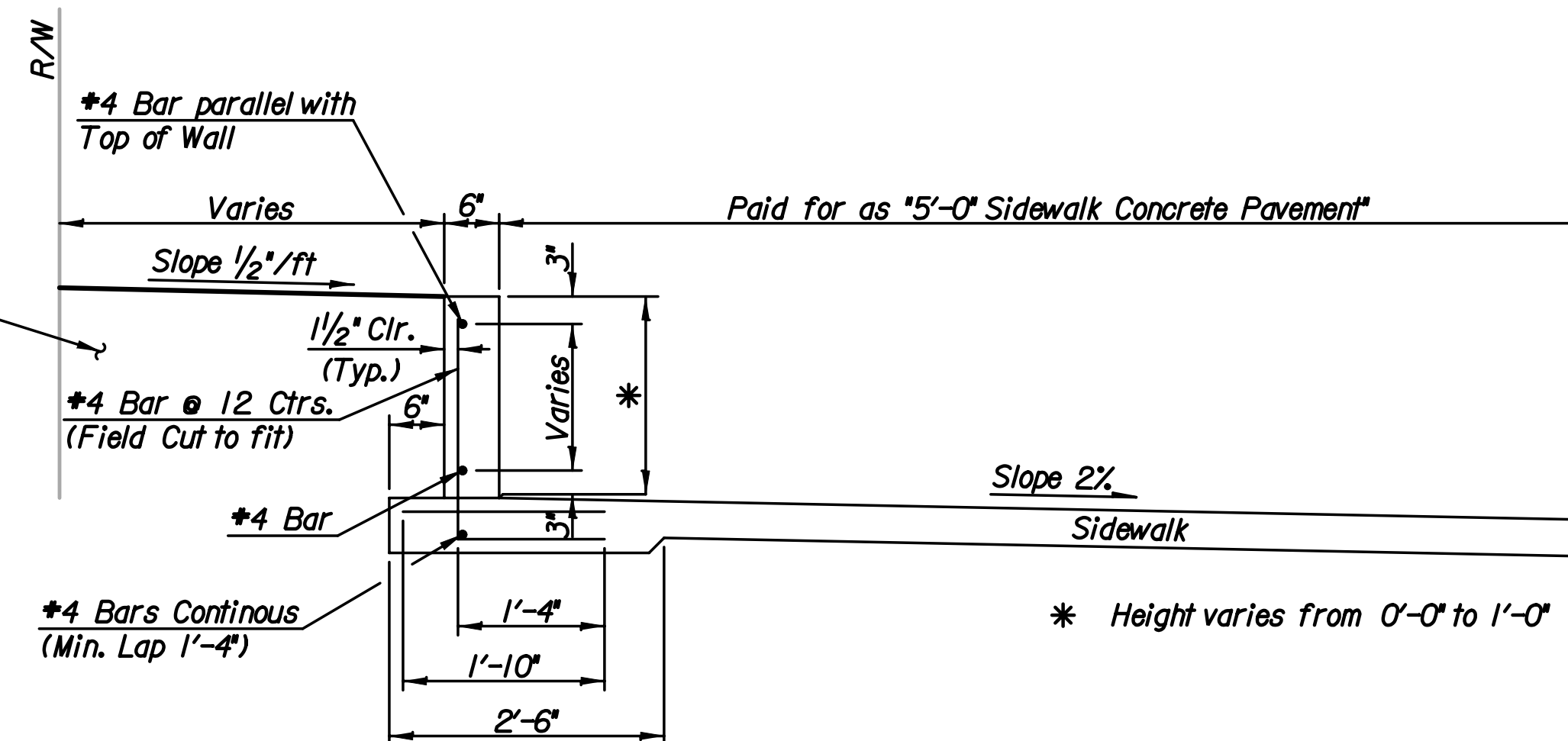
42" HEADWALL DETAIL



BENDING DIAGRAMS

REBAR SCHEDULE#				
Mark	Shape	No.	Length	Weight
A1		2	17'-6"	23.380
A2		1	15'-10"	10.577
A3		1	14'-10"	9.909
A4		1	13'-10"	9.241
A5		1	12'-10"	8.573
A6		1	11'-10"	7.905
A7		1	10'-10"	7.237
A8		1	9'-10"	6.569
A9		1	8'-10"	5.901
B1		2	8'-8"	11.579
B2		2	7'-7"	10.131
B3		2	5'-7"	7.459
B4		2	3'-7"	4.787
C		7	11'-2"	52.215
D1		2	4'-5"	5.901
D2		2	5'-4"	7.125
E		5	6'-4"	21.153
F		2	9'-8"	12.915
Total Rebars			223	Lbs.
Concrete			4.04	C.Y.

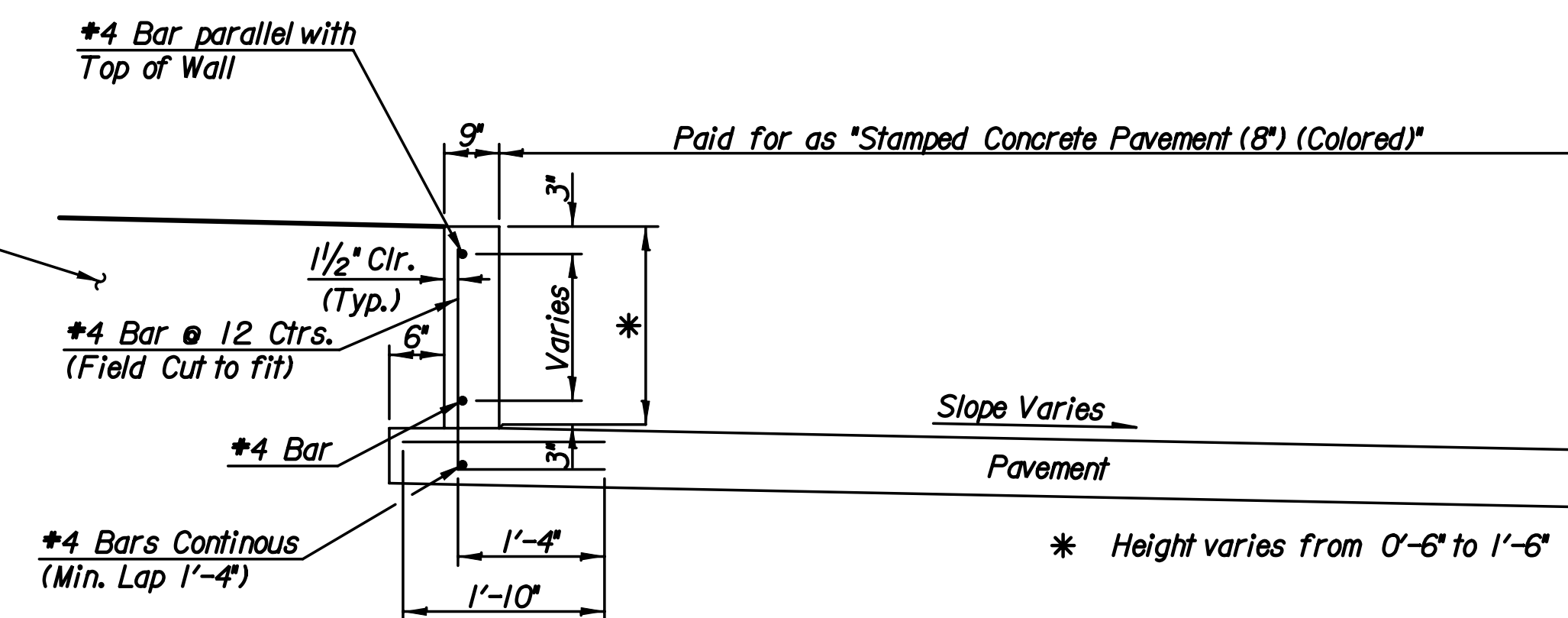
# For Information Only



SIDEWALK RETAINING WALL DETAIL

119th St. West Sta. 89+25.00 to Sta. 89+89.75

Fill Material shall be suitable to support vegetation as approved by the Engineer



ENTRANCE RETAINING WALL DETAIL

119th St. West Sta. 93+64.35 Rt.

Fill Material shall be suitable to support vegetation as approved by the Engineer

RETAINING WALL NOTES

CONCRETE: Class AAA Concrete (AE) shall be used throughout. Bevel all exposed edges with a 3/4" triangular molding. Exposed surfaces shall be given a rubbed finish.

REINFORCING: All reinforcing shall conform to A.S.T.M. A615, Grade 60. All dimensions relative to reinforcing steel shall be to centerline of bars unless otherwise noted. Bar clearances shall be 1/2" unless otherwise noted.

Retaining Walls shall be paid for at the contract unit price bid per Lineal Foot as measured along the exposed face of wall. This payment shall be considered full compensation for all excavation, backfilling, materials, labor, equipment, tools, and incidentals necessary to complete the work.

Contraction and Expansion Joints in Wall shall match the joints in adjacent pavement. Expansion Joints to be spaced at 90' maximum. Reinforcing steel in Retaining Wall to run continuous thru Contraction Joints.

Plotted By: dib Date: 8/27/2010 7:43:09 AM  
File: I:\2005\05789\Standard as 05789-MISC.DTL.dgn

119TH STREET		By	Date
<b>MISCELLANEOUS DETAILS</b>			
JAMES L. ARMOUR, P.E. - CITY ENGINEER CITY OF WICHITA PROJECT NO. 472-34850 <b>Professional Engineering Consultants, P.A.</b> 303 S. TOPEKA - WICHITA, KANSAS 67202 316-262-2691 • FAX 316-262-3003			
Designed by	RAS/MJW	Job No.	05789
Drawn by	WLL/DRP	Date	August 2010
			Sht. 56 of 152