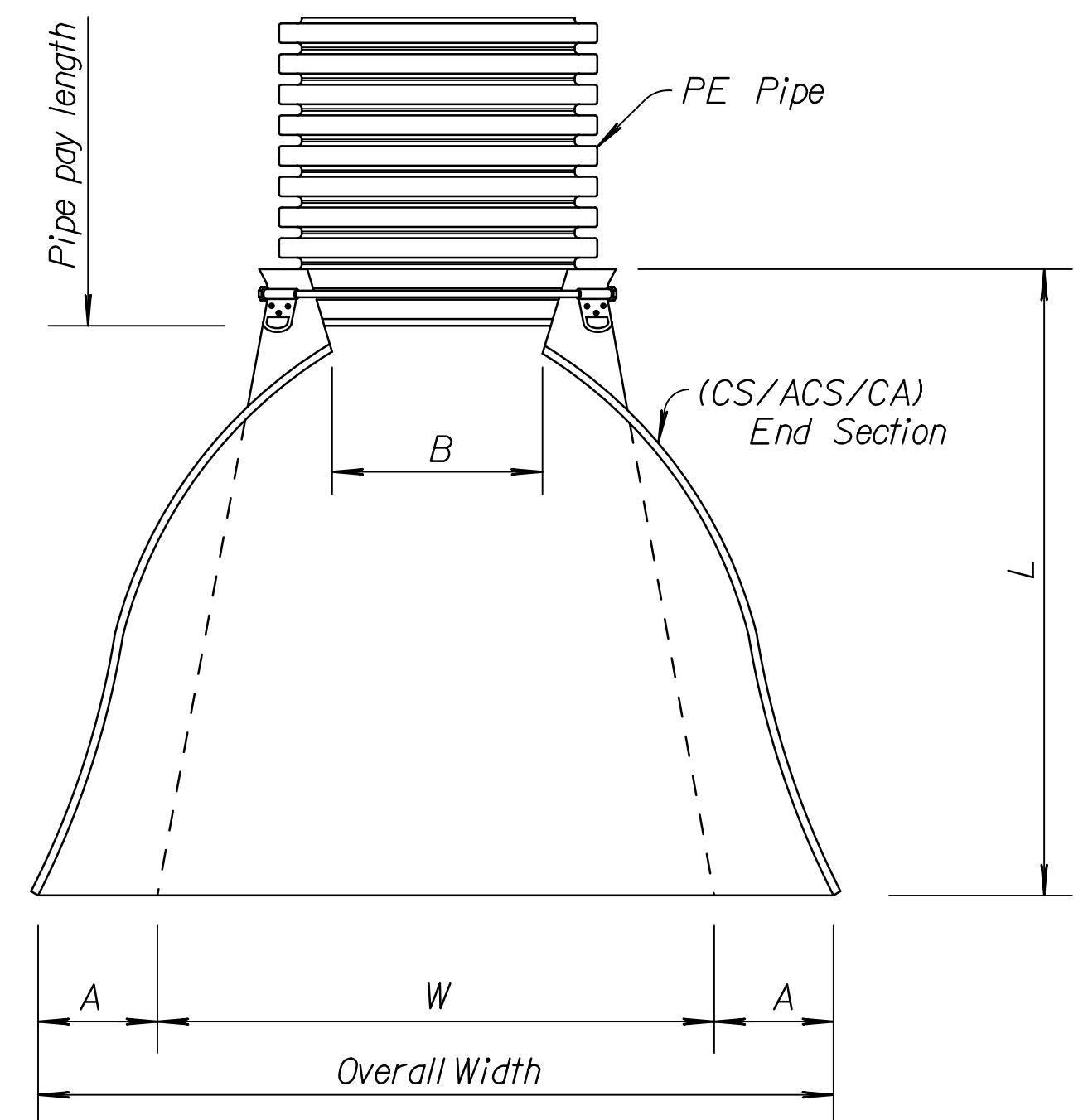
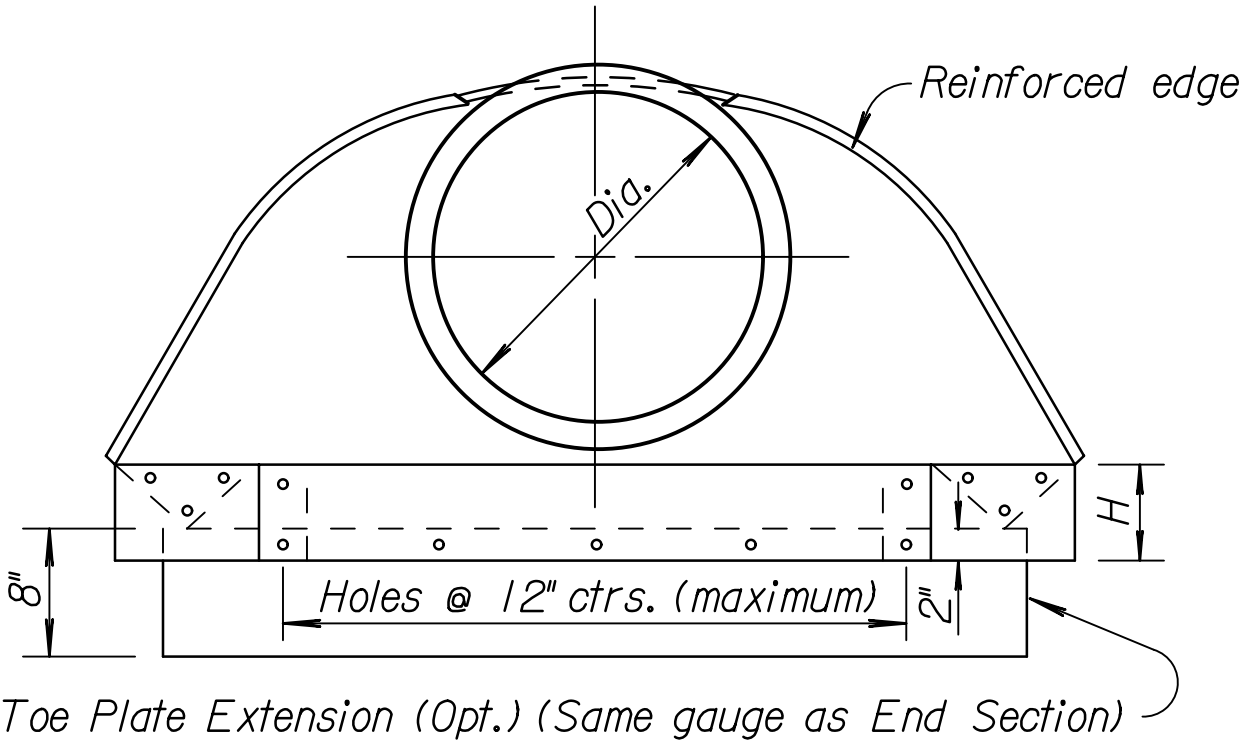


STATE	PROJECT NO.	YEAR	SHEET NO.	TOTAL SHEETS
KANSAS	87 N-0388-01	2010	62	152

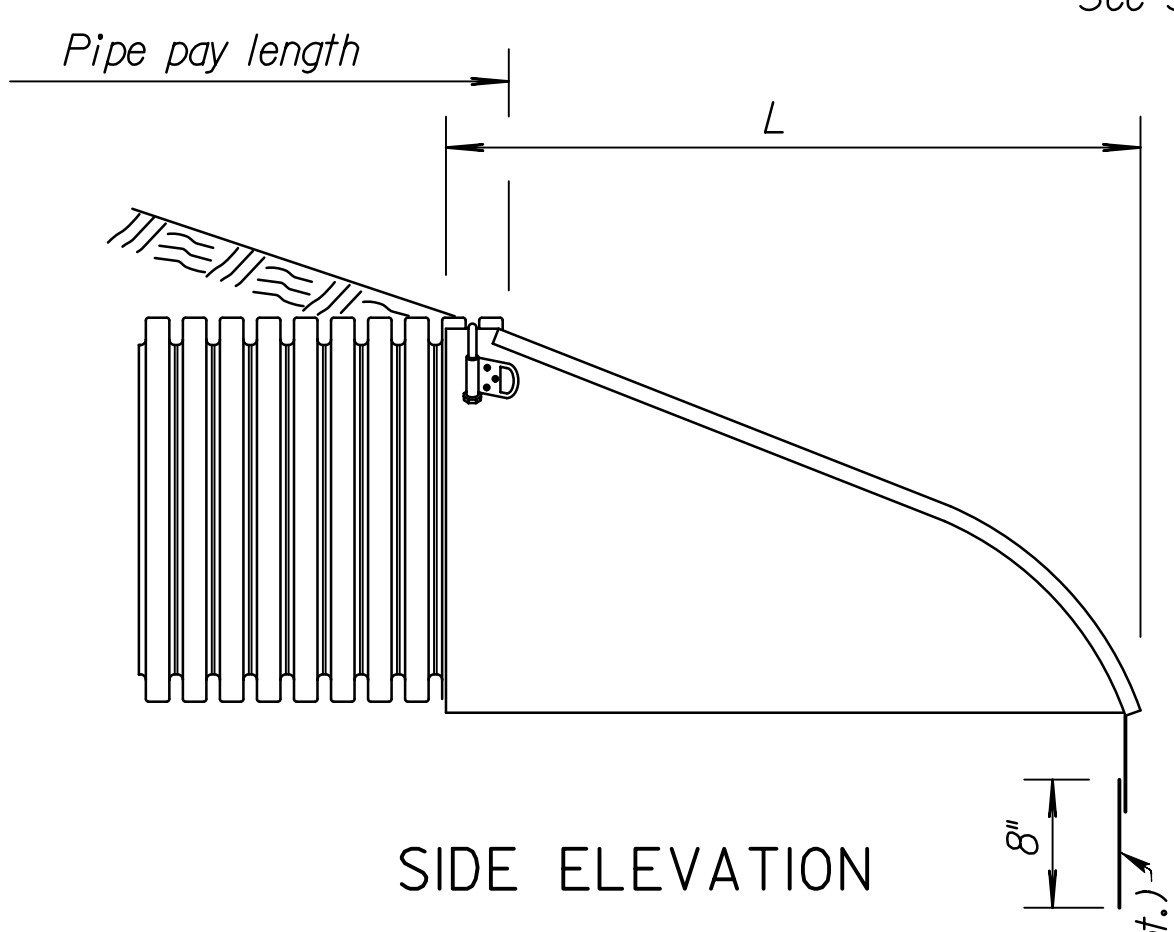
Note to Designer: KDOT Pipe Policy provides guidance in identifying the prohibited and/or restricted uses of CSP, ACSP, ACSP, PE, PVC, CAP & RCP. Provide end sections of the same type and coating as the pipe. Exceptions to this are noted in the Standard Specifications. Refer to the KDOT Design Manual, Volume I (Part C), Road Section, "Elements of Drainage & Culvert Design" for structural pipe design information which includes: corrugations, sizes, gauges, maximum/minimum fill heights and classes of pipe.



**PLAN**  
(Illustrated with Type 2 Connector)

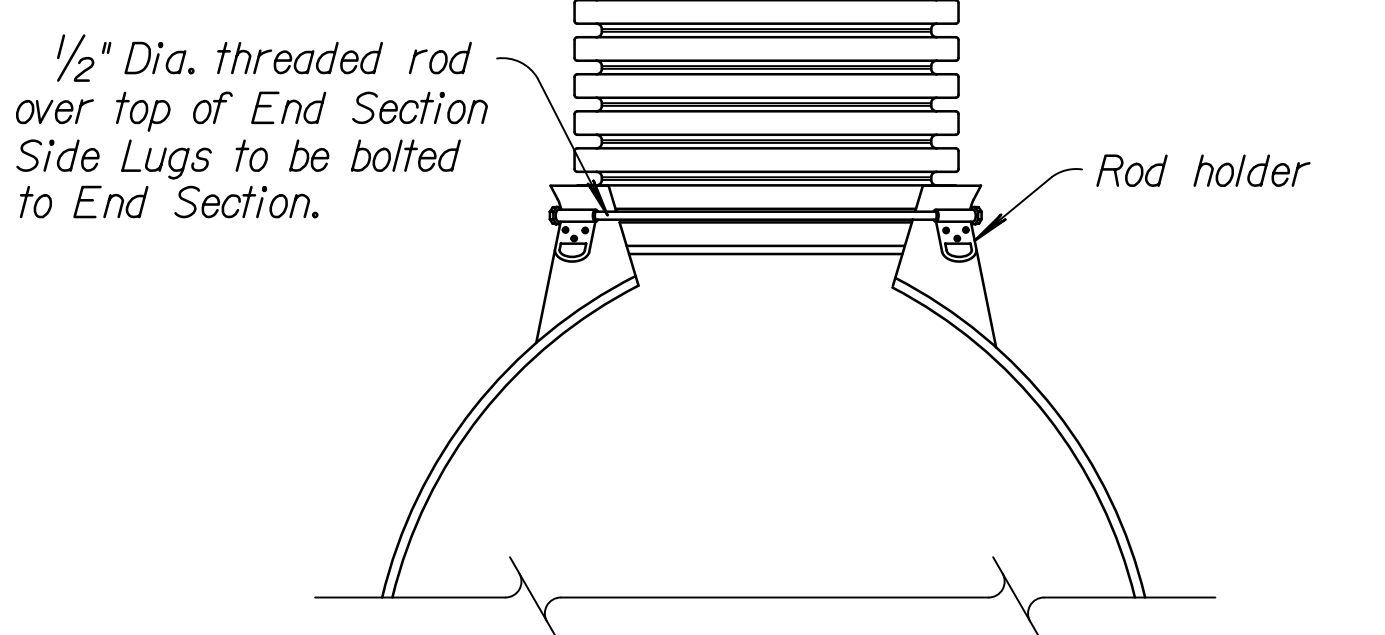


**FRONT ELEVATION**

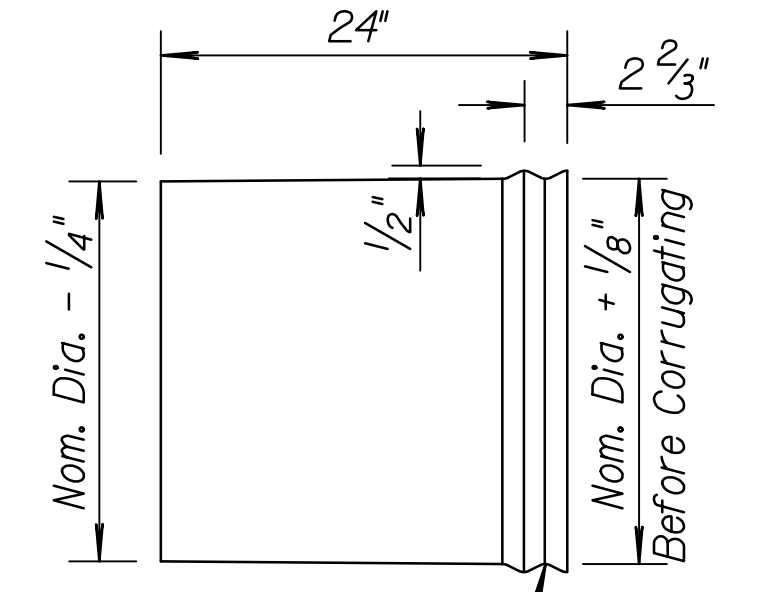


**SIDE ELEVATION**

Ⓢ Toe plate extensions where specified, to be punched to match holes in apron lip and bolted with 3/8" dia. bolts. The length of toe plate to be as follows:  
 W + 10" for 12" to 30" diameter pipe inclusive.  
 W + 20" for 36" to 60" diameter pipe inclusive.

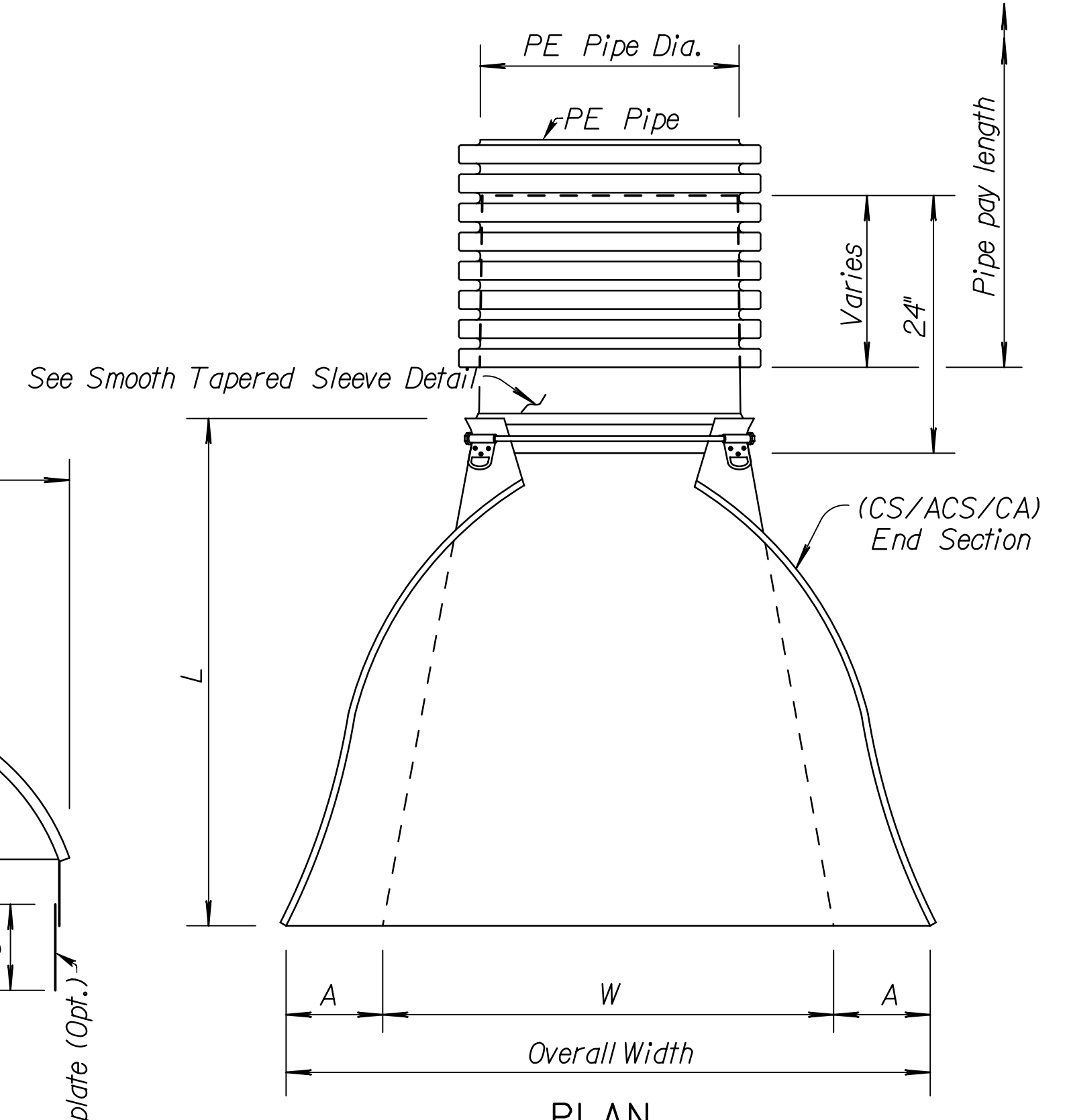


**TYPE 2 CONNECTOR**  
(12" & Larger)

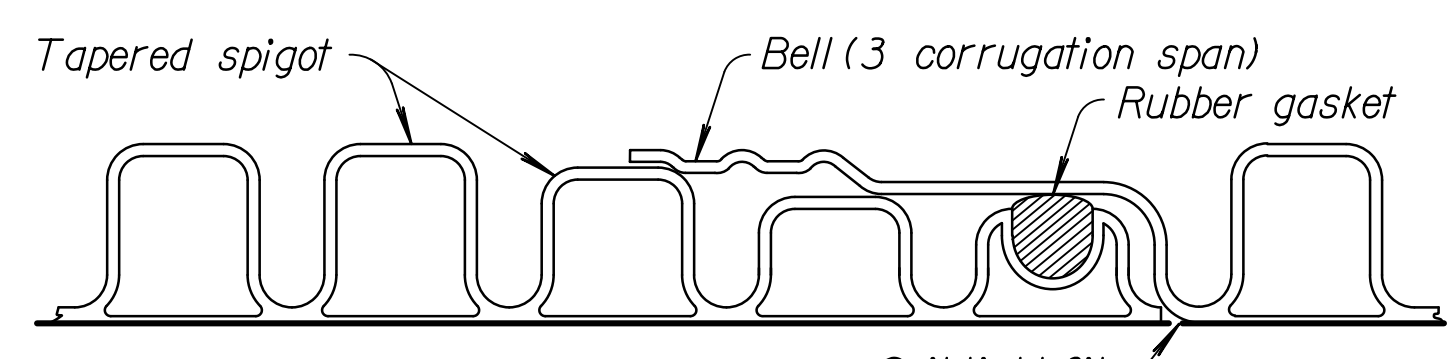


Form 1/2" x 2 2/3" Corrugations in 12 ga. smooth CS (Galvanized) or ACS (Aluminized) metal, maintain inside diameter of sleeve.

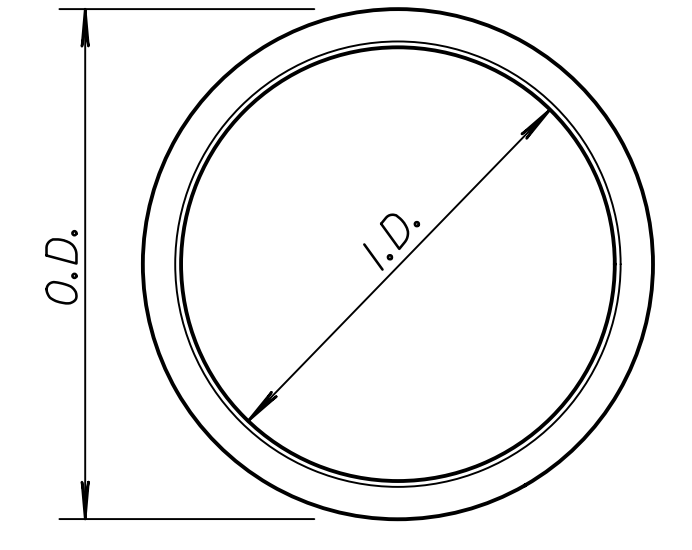
**SMOOTH TAPERED SLEEVE DETAIL**  
(Optional)



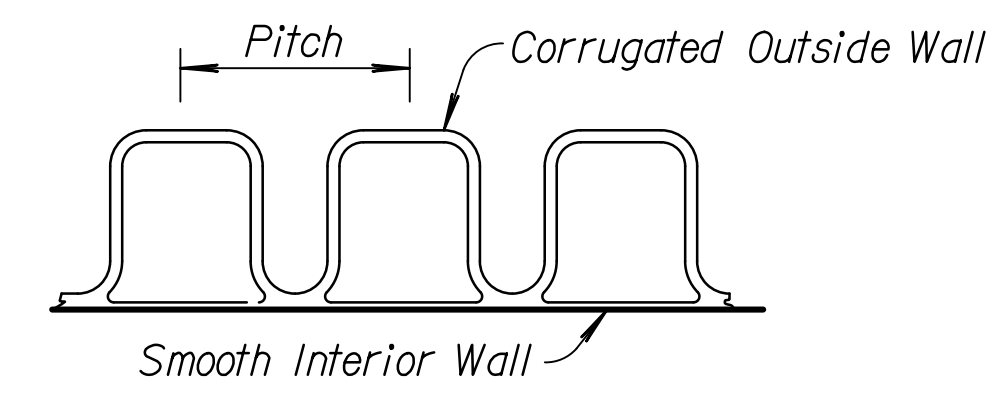
**TAPERED SLEEVE FOR ATTACHING METAL END SECTION TO PE PIPE**  
(Illustrated with Type 2 Connector)



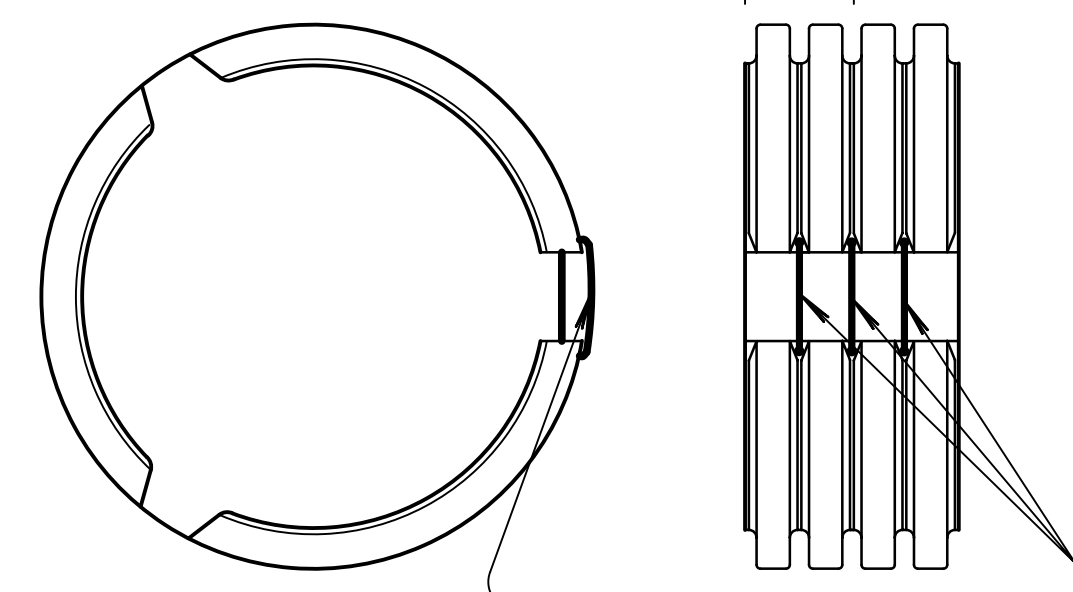
**PEP BELL & SPIGOT CONNECTION SOIL TIGHT JOINT**



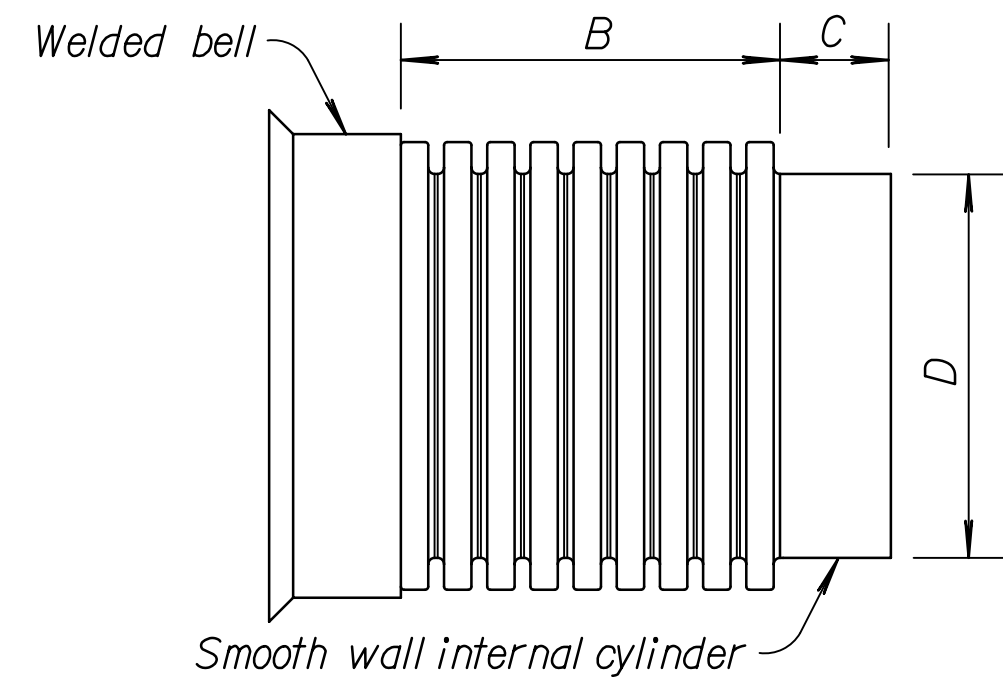
**DETAILS OF CORRUGATED PE PIPE**



**TYPICAL SECTION CORRUGATED PE PIPE**

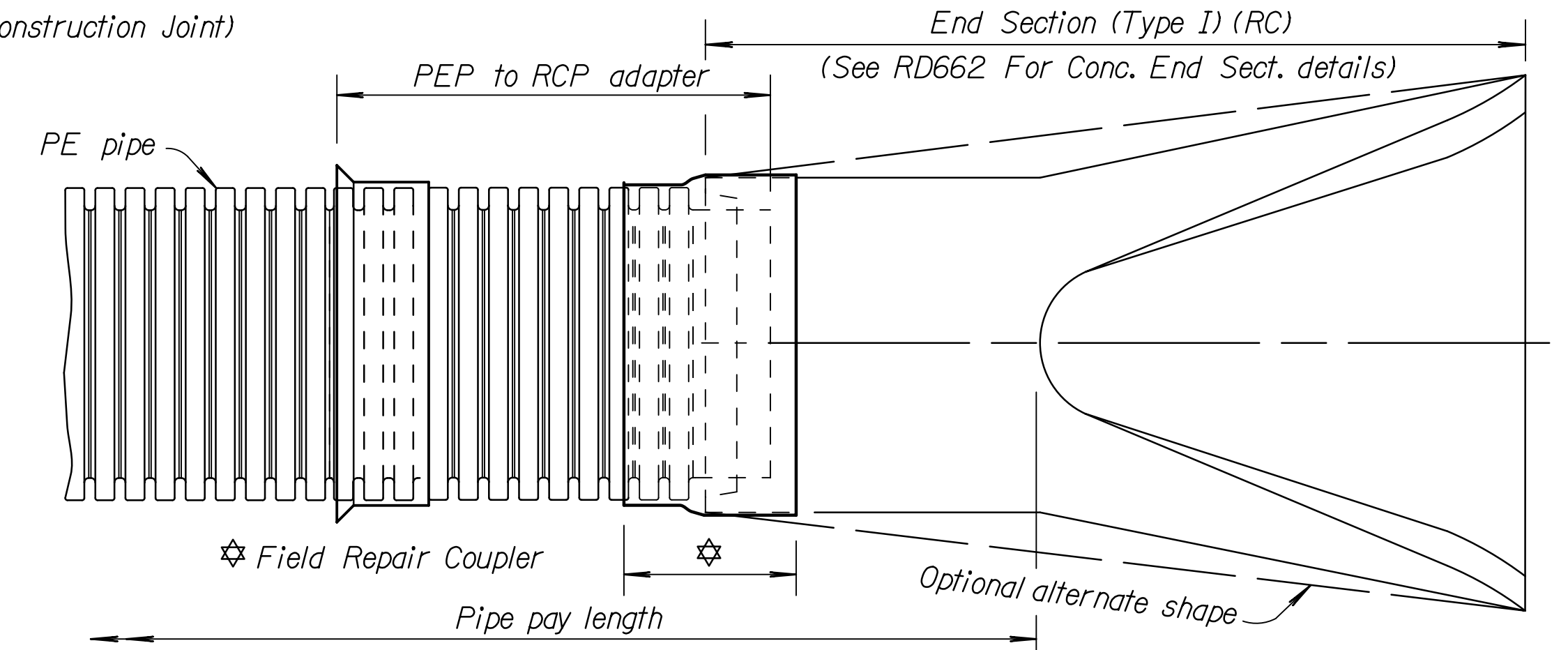


**PEP SPLIT BAND COUPLER SOIL TIGHT JOINT**  
This band is used for (Field Splice Construction Joint)



**PEP to RCP ADAPTER**

Pipe Dia. (In.)	B	C	D
18"	18 1/4"	6"	18"
24"	25"	6"	24"
30"	32 3/16"	6"	30"
36"	36 3/4"	6"	36"
42"	36"	6"	41 1/4"
48"	36 3/4"	6"	41 1/4"
60"	36"	6"	59"



**PEP to RCP ADAPTER to CONCRETE END SECTION**  
(This installation is for Acidic Soil Conditions)

Pipe Dia. (In.)	Min. Gauge Ends	Dimensions in Inches					Slope
		A (min.)	B (max.)	H (min.)	L (+/-2")	W (min.)	
12"	16	6	7	6	21	24	2 1/2:1
15"	16	7	8	6	26	30	2 1/2:1
18"	16	8	10	6	31	36	2 1/2:1
21"	16	9	12	6	36	42	2 1/2:1
24"	16	10	13	6	41	48	2 1/2:1
30"	14	12	16	8	51	60	2 1/2:1
36"	14	14	19	9	60	72	2 1/2:1
42"	12	16	25	11	69	84	2 1/2:1
48"	12	18	29	12	78	90	2 1/4:1
54"	12	18	33	12	84	102	2 1/4:1
60"	12/10	18	36	12	87	114	2:1

**GENERAL NOTES**  
 The culvert type shall meet the KDOT Pipe Policy & Standard Specifications.  
 The size of pipe designated on the plan shall be the nominal inside diameter of a two wall corrugated PE pipe (Type S).  
 PE pipe couplings shall be designed to cover at least two full corrugations on each side of a joint.  
 No additional payment shall be made for any gain in length due to the fit of the pipe at connections.  
 All corrugated PE pipe, end sections, couplings, and fittings shall conform with the Standard Specifications.  
 See Standard Specifications for PE Pipe bedding and backfill.  
 Multiple panel end sections shall have lap seams which are to be tightly joined by bolts & nuts. Corner plate and toe plate to be same gauge and material as end section. When required optional toe plate extension shall be overall width less 6" x 8" high.  
 Attachment to PE pipe 12" diameter and up shall be made with Type 2 Connector.  
 All work and materials required for construction and installation of end section shall be included in the bid item "End Section".

Drawn By: djb\_xm Plotted: 8/26/2010 File: I:\2005\05789\Standards\05789-rd667.dgn

KANSAS DEPARTMENT OF TRANSPORTATION	
<b>METAL/CONCRETE END SECTION (TYPE I) for PE PIPE</b>	
RD667	
DESIGNED	6-27-08
APP'D.	James O. Brewer
QUANTITIES	TRACED
DESIGN CK.	DETAIL CK.
QUAN. CK.	TRACE CK.