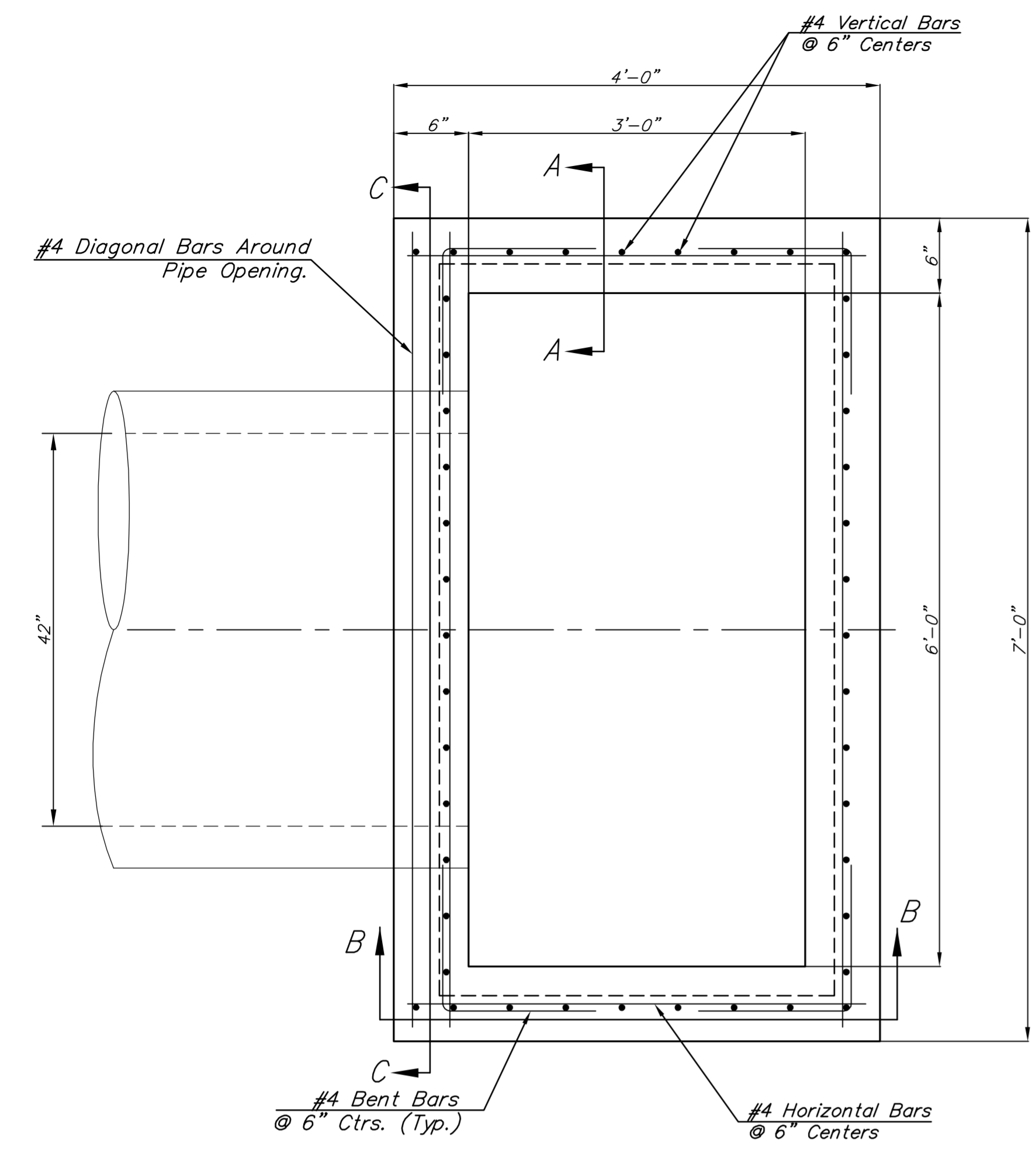
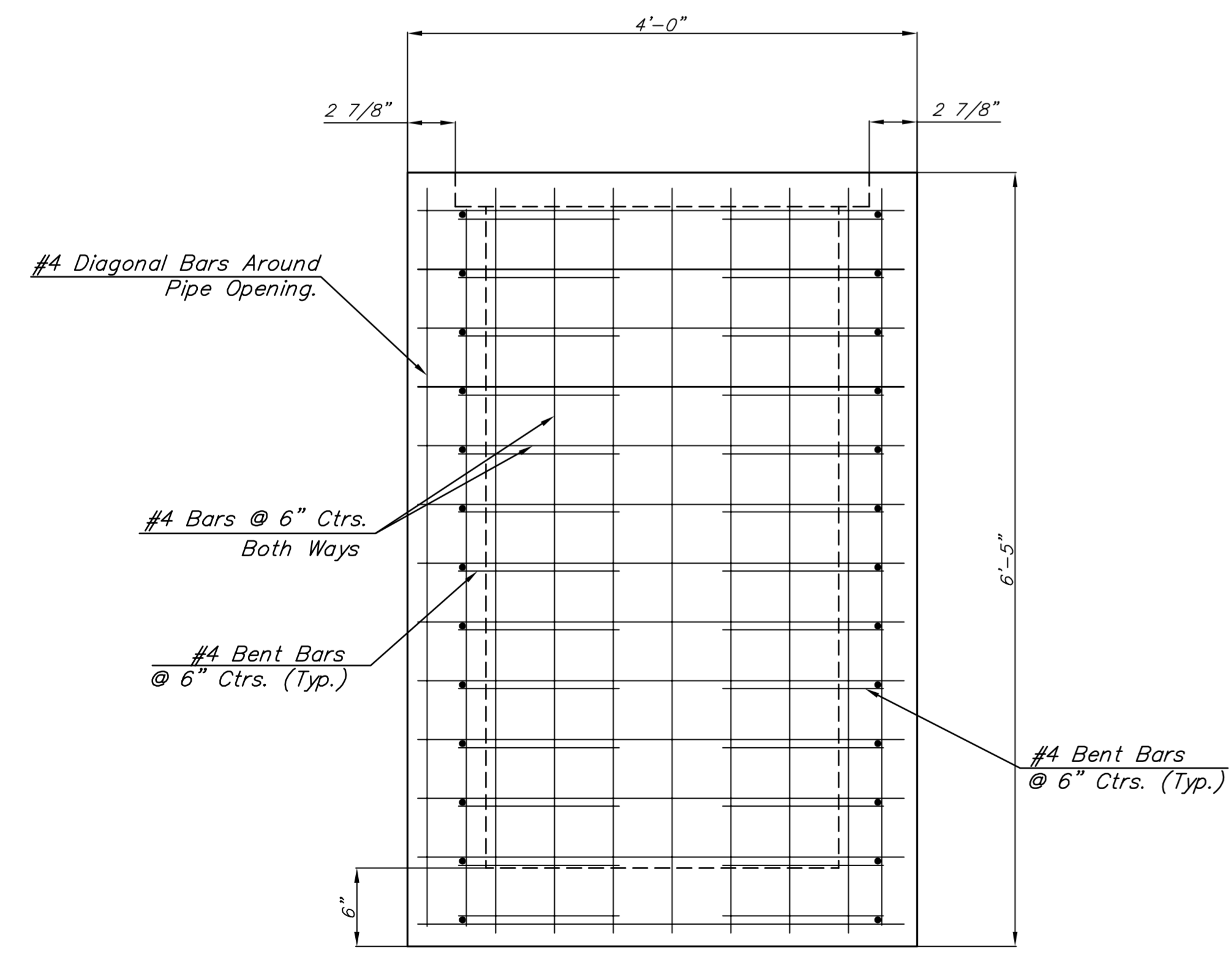
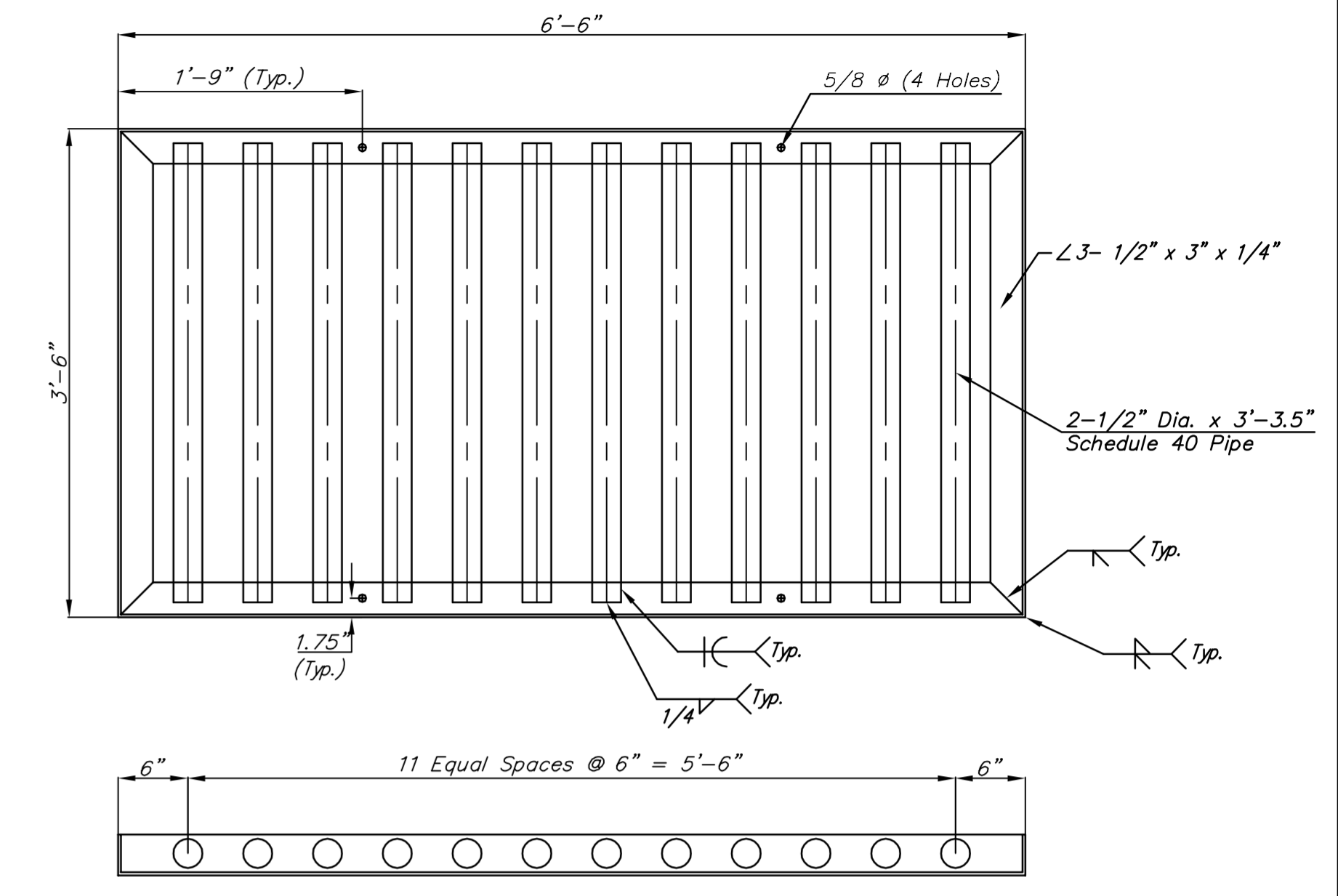
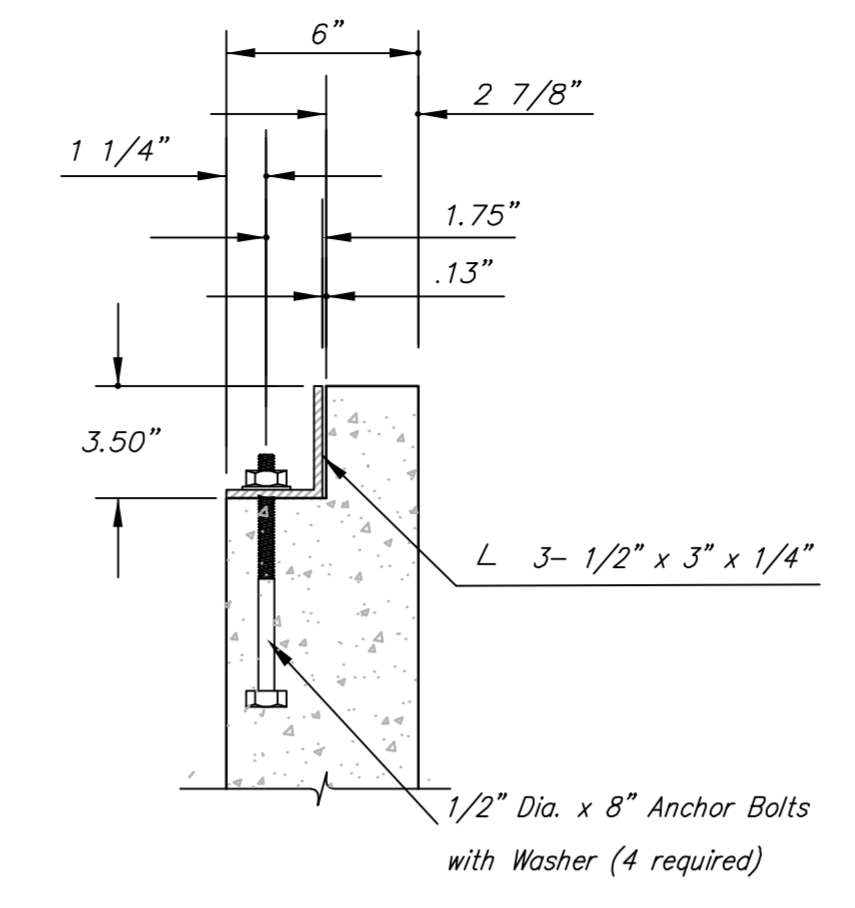
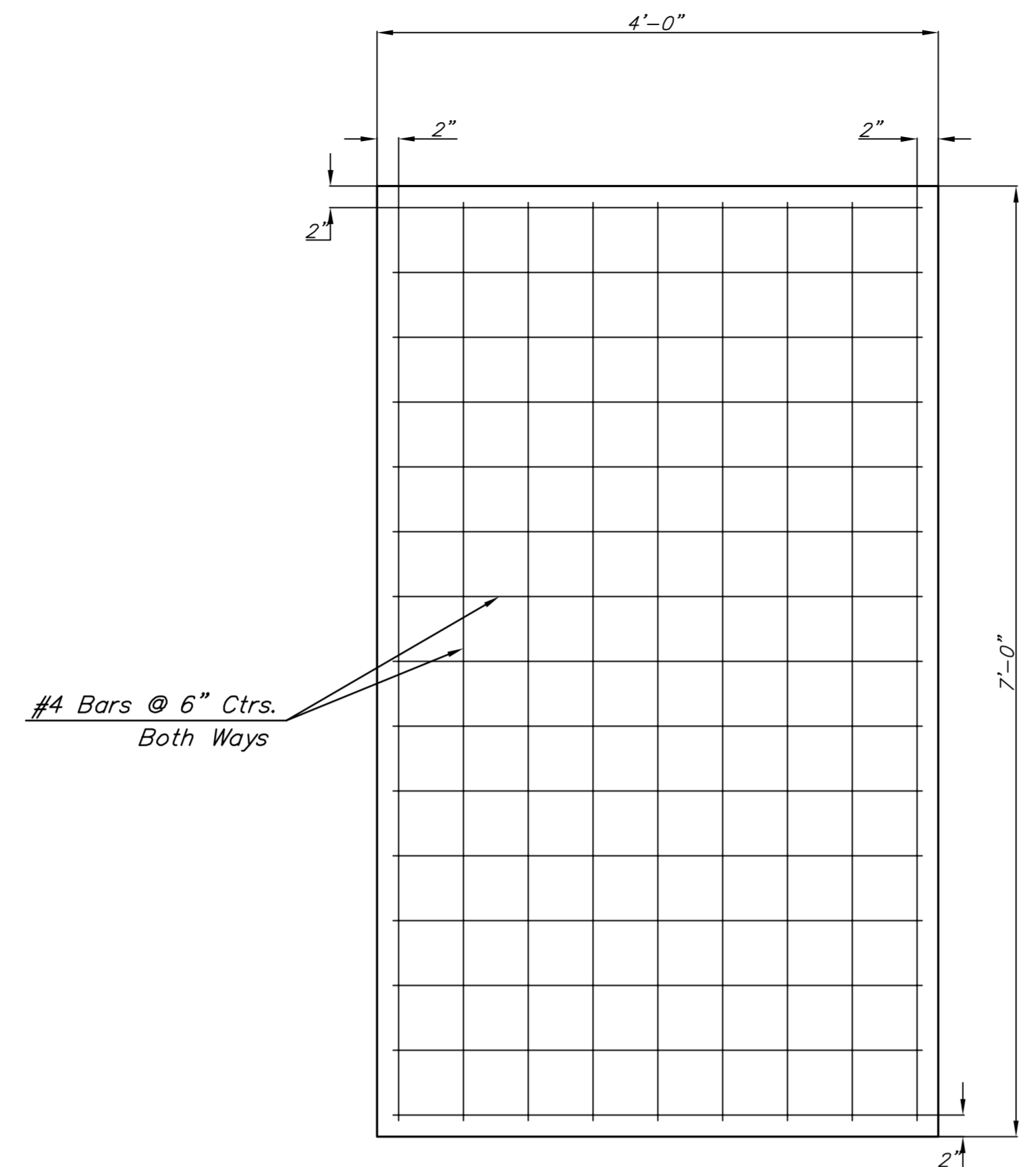


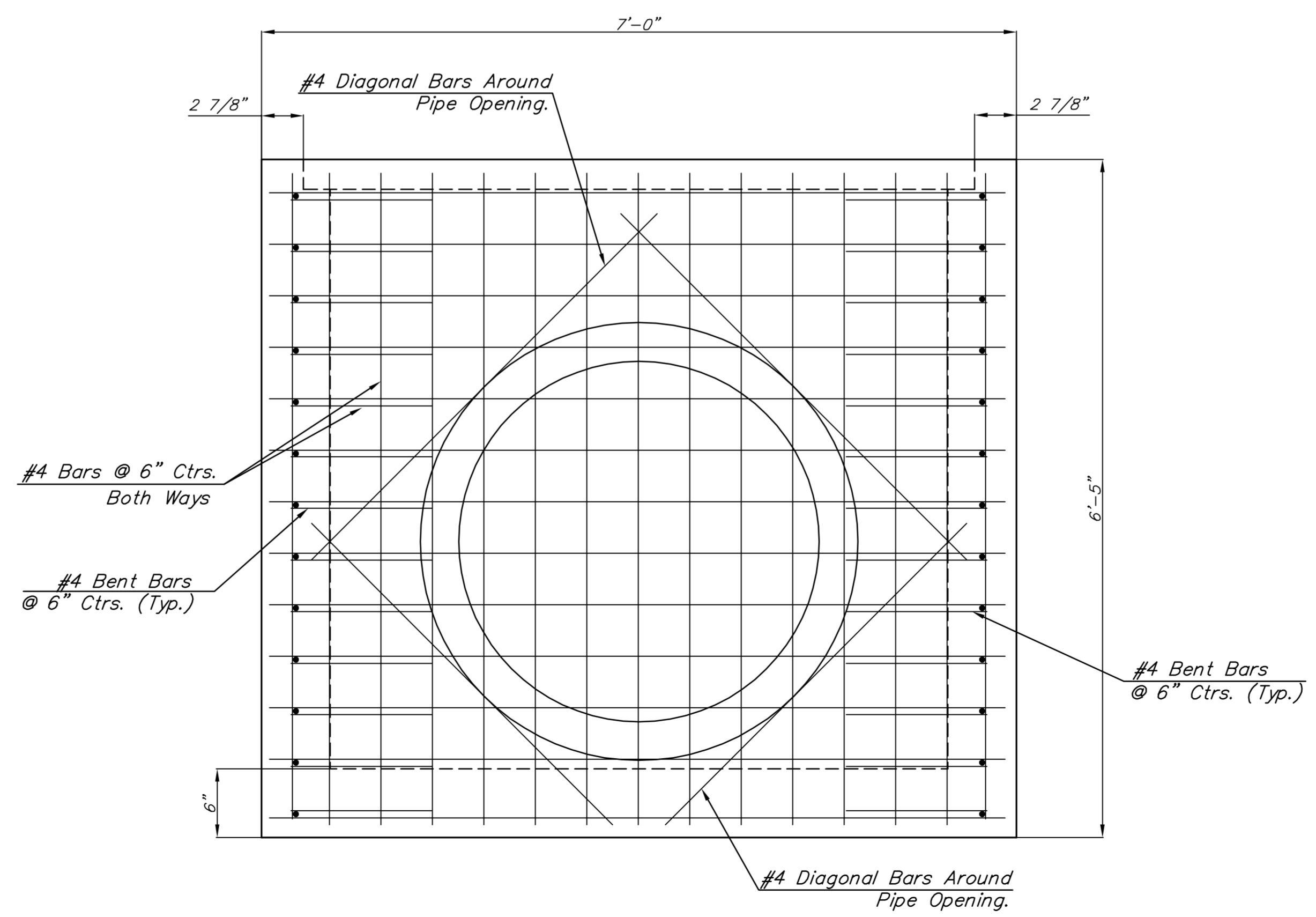
FHWA REGION NO.	STATE	PROJECT NO.	FISCAL YEAR	SHEET NO.	TOTAL SHEETS
7	KANSAS	87 N-0394-01	2010	52	129



PLAN VIEW



SECTION B-B



SECTION C-C

General Notes

Class A Concrete shall be used throughout. At the Contractor's option, Class A Concrete (AE) may be used. Bevel all exposed edges with a 3/4" triangular molding or an approved edging tool. Deductions in concrete quantities have been made for pipe openings.

Reinforcing Steel shall be a minimum Grade 60 ASTM A615.

All dimensions relative to placement of reinforcing are to the centerline of bars unless otherwise noted. All Clearances are 1-1/2" unless otherwise noted.

Pipes will enter and leave the inlet at various positions. Field bend or cut reinforcing to clear pipes.

Inlet invert shall be shaped with unreinforced Class A Concrete.

Special Ditch Inlet shall be measured and paid for at the contract unit price bid per each. This shall be considered full compensation for all excavation, backfilling, materials, labor, equipment, tools and incidentals necessary to complete the work.

The grate shall be fabricated from standard or commercial grade structural steel and black steel pipe. The unit shall be hot dipped, galvanized after fabrication, in accordance with ASTM A123 except the weight of coating shall average not less than 2.0 ounces per square foot of actual surface and no individual test shall show less than 1.8 ounces of coating per square foot of actual surface area.

Design: TPV	Project No. 05-10-E397	CAPITAL IMPROVEMENT PROJECT
Drawn: TPV	STANDARD DETAILS FOR SPECIAL DITCH INLET	
Approved: TPV	47TH STREET SOUTH, MERIDIAN AVENUE TO SENECA STREET	
Scale: None		

Baughman Company, P.A.
 315 Ellis St., Wichita, KS 67211 P 316-262-7271 F 316-262-0149
 ENGINEERING | SURVEYING | PLANNING | LANDSCAPE ARCHITECTURE