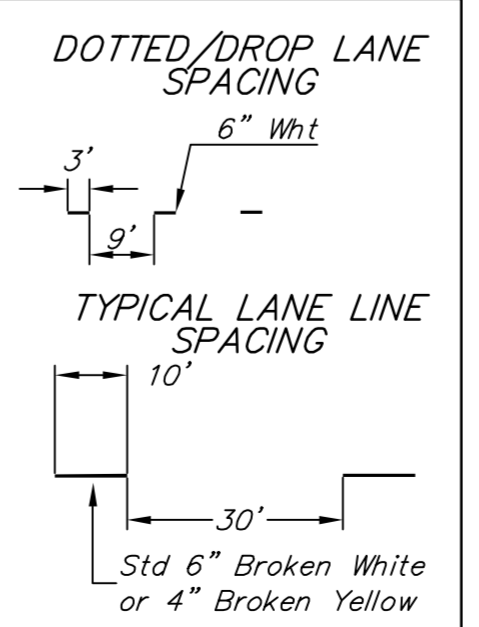
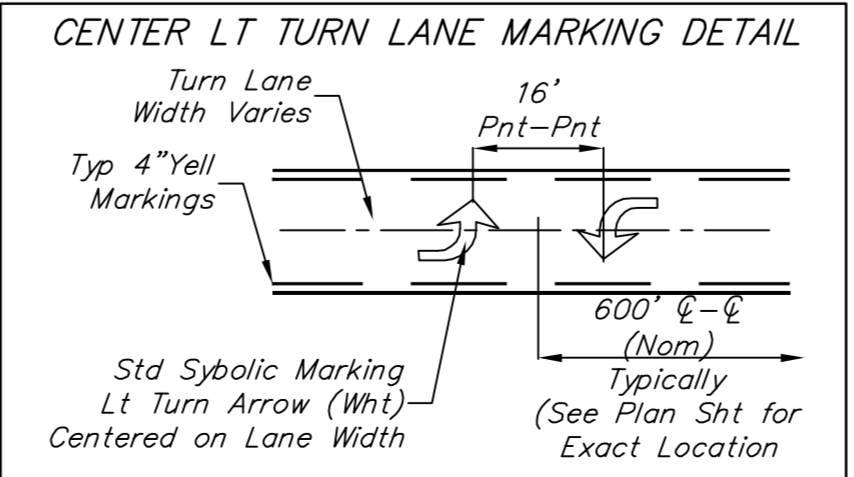
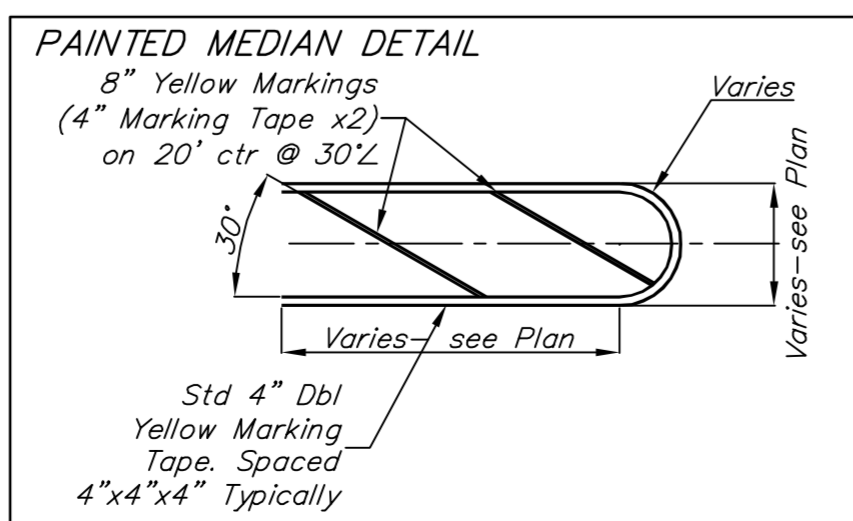
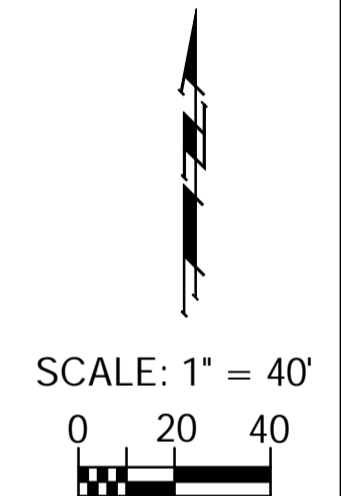
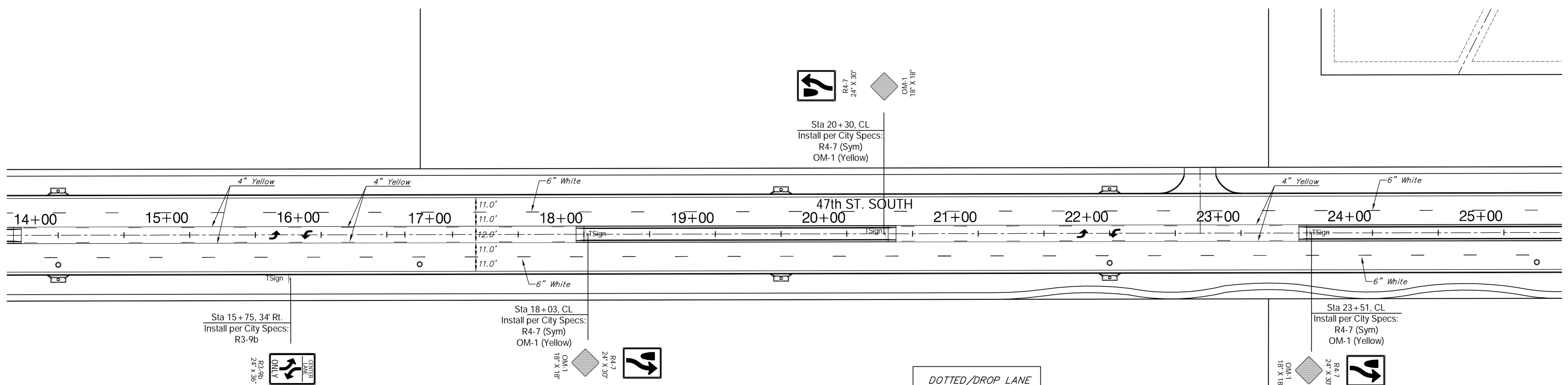
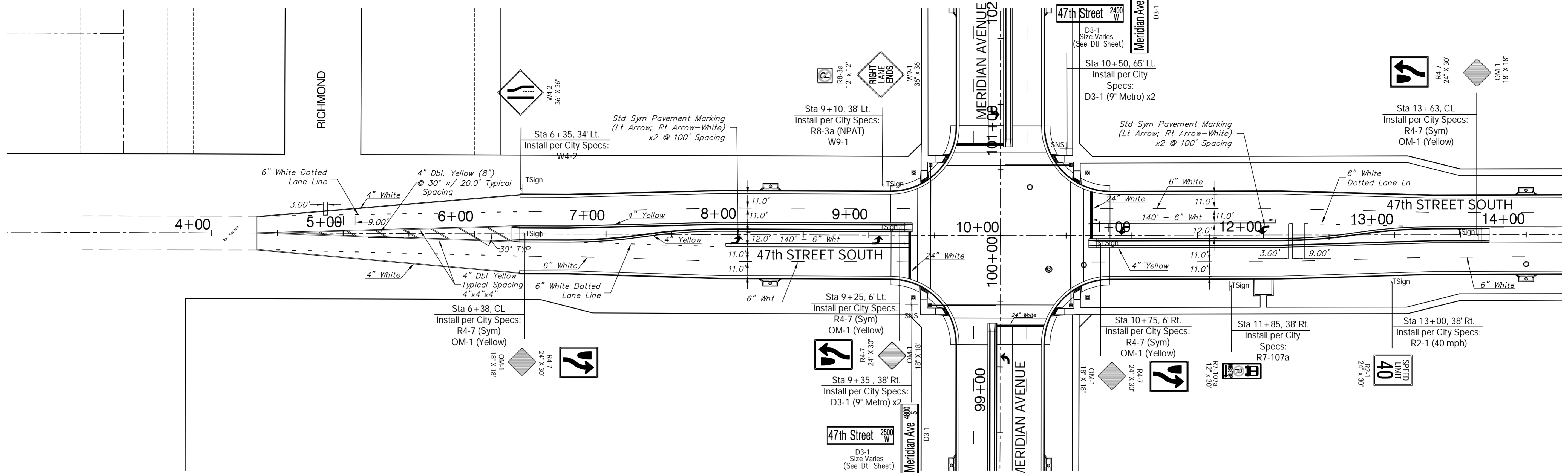
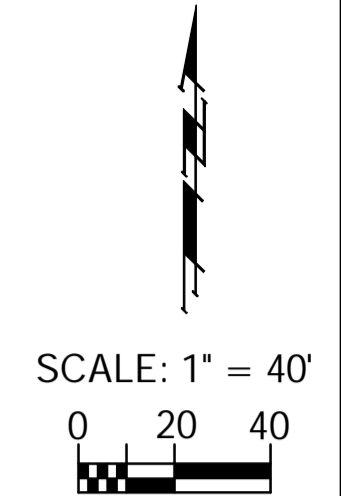


| | | | | | |
|-----------------|--------|--------------|-------------|-----------|--------------|
| FHWA REGION NO. | STATE | PROJECT NO. | FISCAL YEAR | SHEET NO. | TOTAL SHEETS |
| 7 | KANSAS | 87 N-0394-01 | 2010 | 76 | 129 |



Drawing File: E:\47th St. South Traffic\47th Marking.dwg [Marking 1]
 Design: TPV
 Drawn: Staff
 Approved: TPV
 Scale: Noted

Project No. 05-10E397 CAPITAL IMPROVEMENT PROJECT

47TH STREET SOUTH MARKING AND SIGNING PLAN

47TH STREET SOUTH- MERIDIAN AVENUE TO SENECA STREET