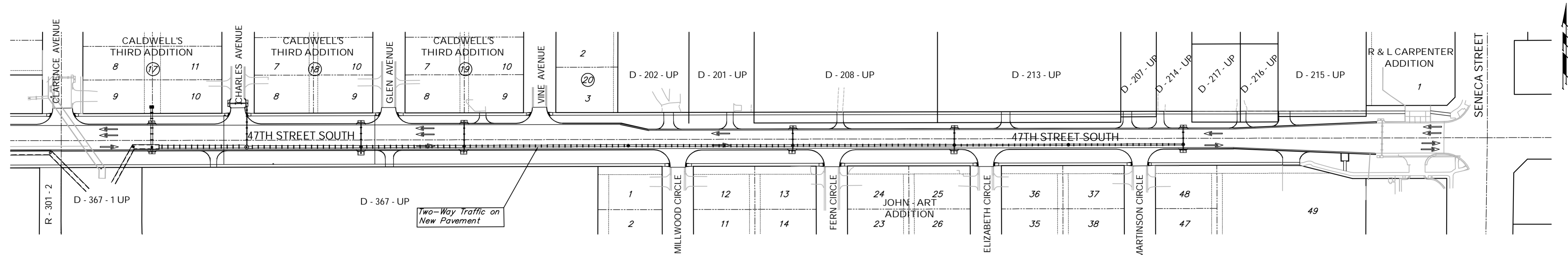
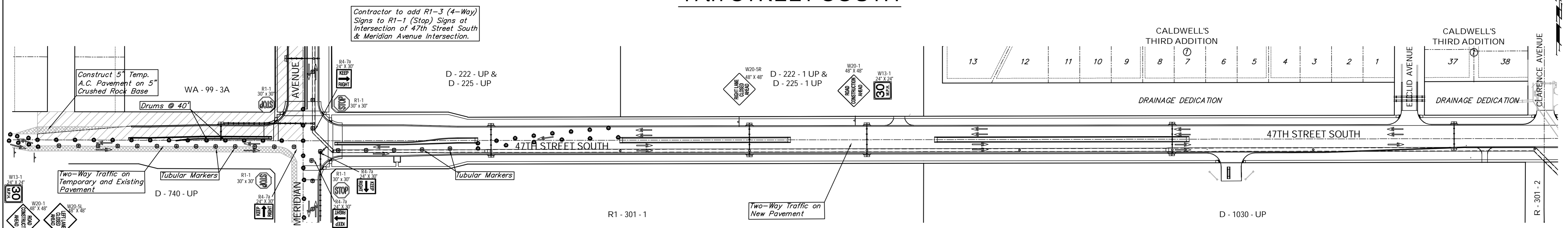


FHWA REGION NO.	STATE	PROJECT NO.	FISCAL YEAR	SHEET NO.	TOTAL SHEETS
7	KANSAS	87 N-0394-01	2010	86	129

47th STREET SOUTH

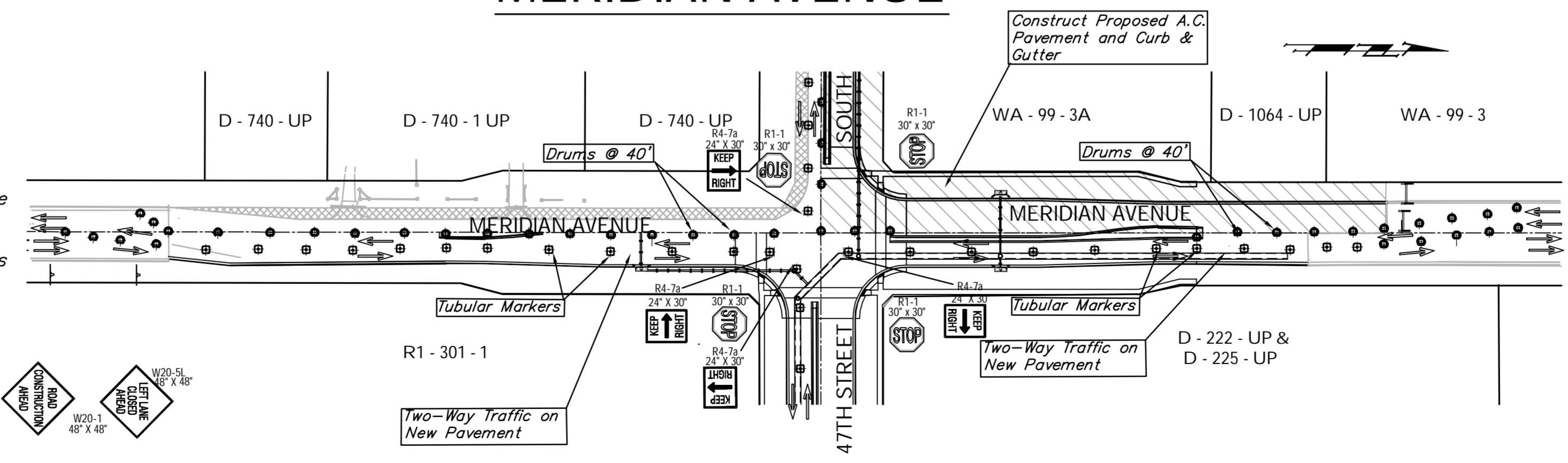


	Work Area		Temp. A.C. Pavement
	Reflectorized Drum (40' Spacing)		Tubular Marker (60' Spacing)
	Type III Barricade		Traffic Flow Pattern

MERIDIAN AVENUE

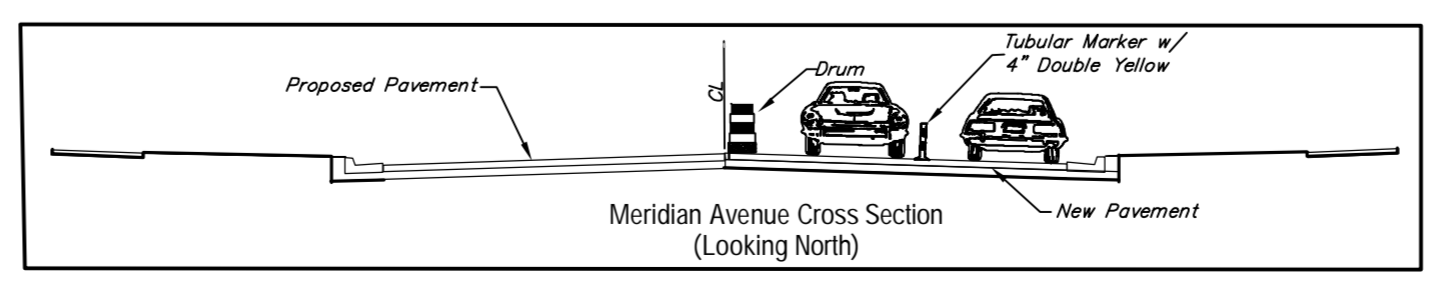
PHASE 4

Move traffic on 47th Street South west of Meridian south and move traffic on Meridian east to the new pavement. Open the full pavement width on 47th Street South to two-way traffic between Meridian and Seneca. Construct the northwest quadrant of the intersection, the west half of the SWS and pavement on Meridian north of 47th Street South, and the north half of the SWS and pavement on 47th Street South west of Meridian. Continue installation of Signal System at the Intersection. Two-way traffic is to be carried on the new pavement on Meridian and on 47th Street South east of Meridian. Two-way traffic on 47th Street South west of Meridian is to be carried on existing and temporary pavement.



PAVEMENT QUANTITIES FOR PHASE 4

5" Temporary A.C. Pavement on 5" Crushed Rock Base - 123 S.Y.
 FOR INFORMATION ONLY. Cost to be SUBSIDIARY to the Lump Sum Bid Item "Traffic Control (Construction)."



Design: TPV
 Drawn: STAFF
 Approved: TPV
 Scale: 1" = 100'

Project No. 05-10E397 CAPITAL IMPROVEMENT PROJECT
47th STREET SOUTH CONSTRUCTION SEQUENCING PLAN - PHASE 4
 47TH STREET SOUTH - MERIDIAN AVENUE TO SENECA STREET