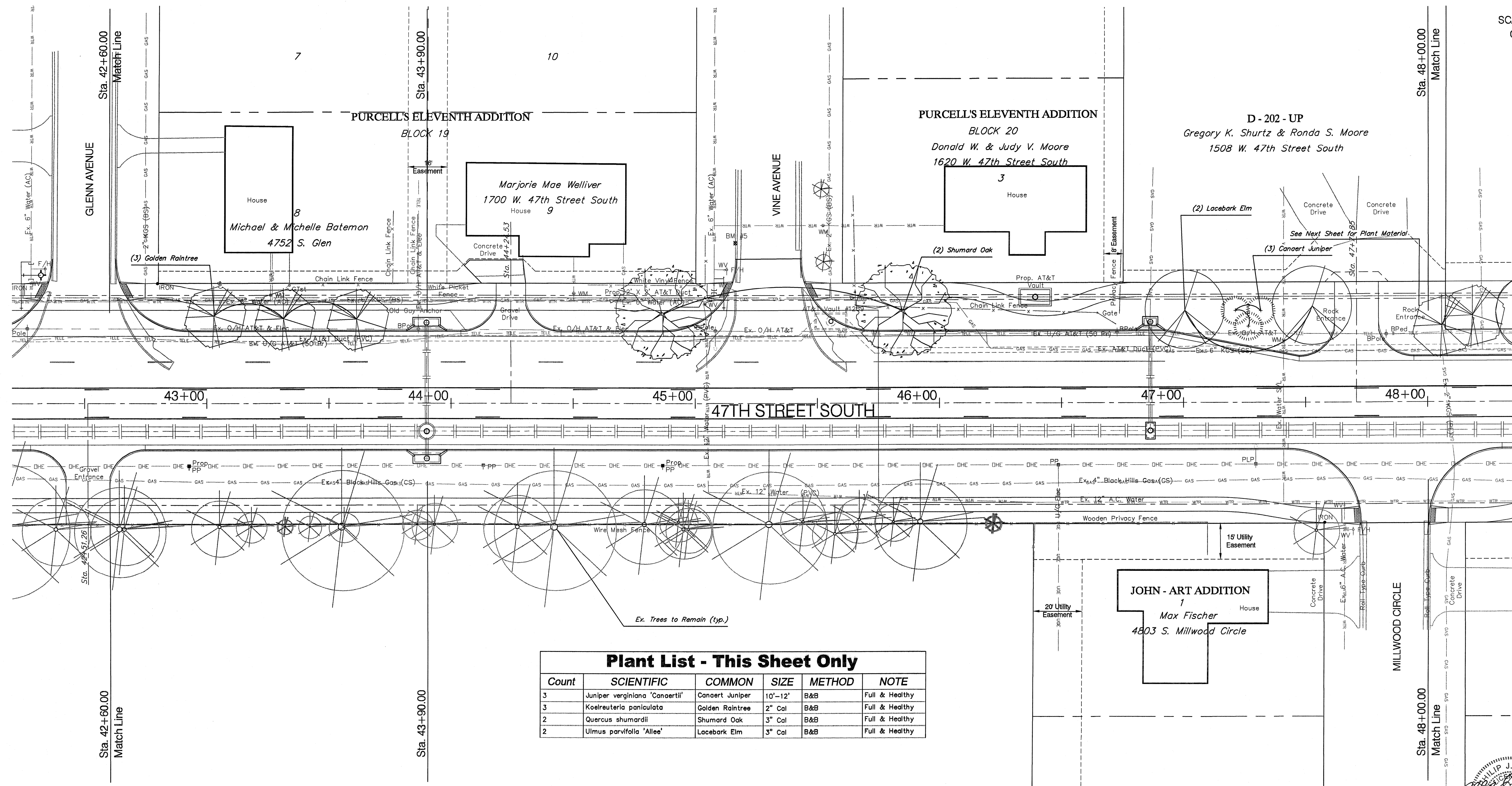
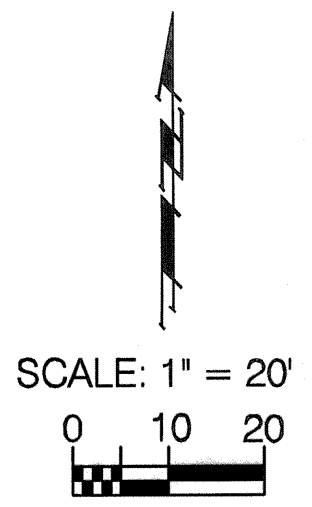


BENCHMARK:
 BM #5 - "C" Cut into Top of Curb in the Northwest Corner of the Intersection of 47th Street South and Vine Avenue
 Sta. 45+17, 66' Lt.
 Elev. = 1272.89 (MSL)

FFWA REGION NO.	STATE	PROJECT NO.	FISCAL YEAR	SHEET NO.	TOTAL SHEETS
7	KANSAS	87 N-0394-01	2010	104	129



Plant List - This Sheet Only

Count	SCIENTIFIC	COMMON	SIZE	METHOD	NOTE
3	Juniper virginiana 'Canaertii'	Canaert Juniper	10'-12'	B&B	Full & Healthy
3	Koeleruteria paniculata	Golden Raintree	2" Cal	B&B	Full & Healthy
2	Quercus shumardii	Shumard Oak	3" Cal	B&B	Full & Healthy
2	Ulmus parvifolia 'Ailee'	Lacebark Elm	3" Cal	B&B	Full & Healthy

