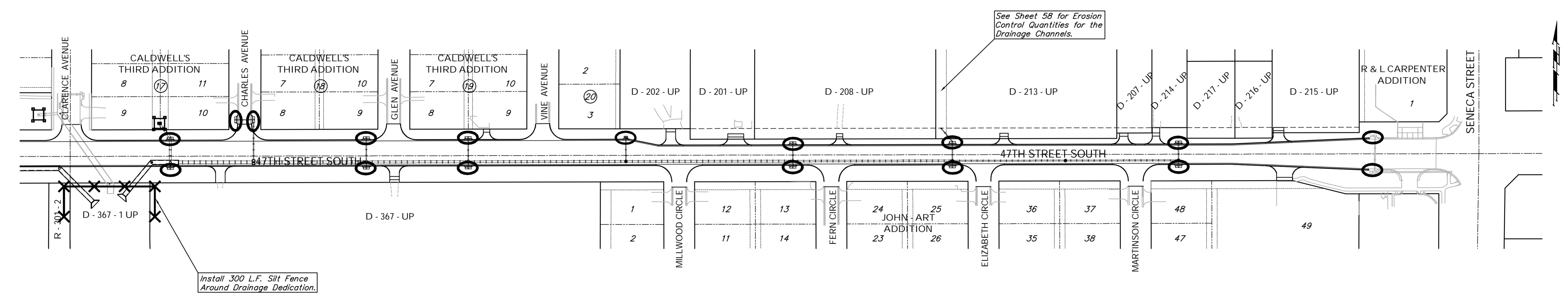
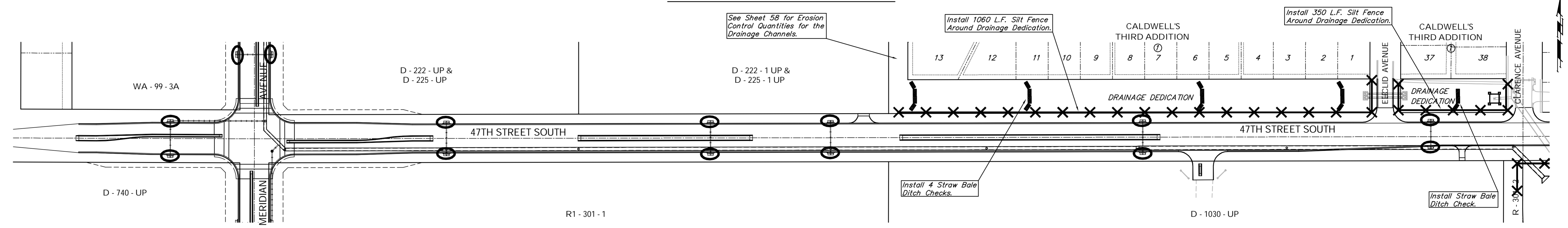
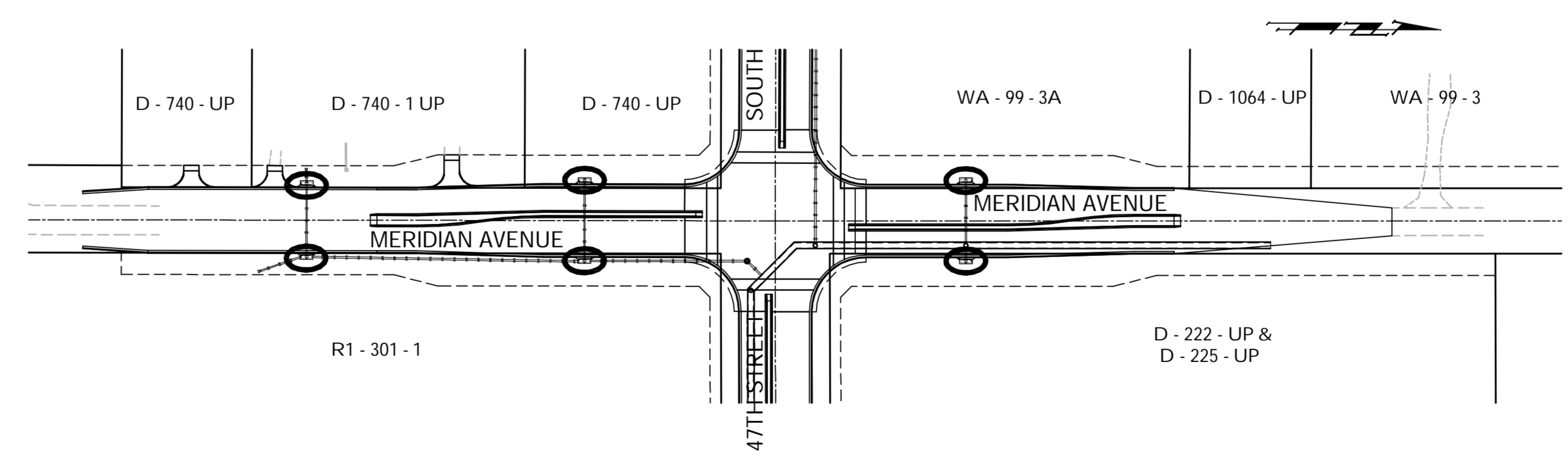


47th STREET SOUTH



MERIDIAN AVENUE



QUANTITIES INCLUDE EROSION CONTROL MEASURES SHOWN ON THE PLAN & PROFILES FOR THE PROPOSED DRAINAGE CHANNELS.

EROSION CONTROL MEASURE	UNITS	QUANTITY
SILT FENCE	L.F.	1,710
RIPRAP	S.Y.	**
DROP INLET BARRIER	EA.	2
CURB INLET BARRIER	EA.	33
STRAW BALE DITCH CHECK	EA.	10
EARTHEN DIKES	L.F.	0
EROSION CONTROL BLANKET	S.Y.	16,800
POND E.C. BLANKET	S.Y.	0
CONSTRUCTION ENTRANCE	EA.	2

QUANTITIES ARE FOR INFORMATION ONLY! CONTRACTOR SHALL VERIFY QUANTITIES PER SPECIFIC ENGINEERING PLAN SHEET.

**QUANTITIES OF RIP RAP AT END SECTIONS ARE CALLED OUT ON THE PAVING AND SWS PLANS.

EROSION CONTROL PLAN LEGEND
(Installation Details Found in the BMP Details Sheets)

- LIGHT STONE RIP-RAP
- DROP INLET PROTECTION
- CURB INLET PROTECTION
- STRAW BALE BARRIERS
- SILT FENCING
- EARTH DIKES

NO SCALE