

STA. 10+00.0, LINE 1  
N=6308.99, E=8950.83  
N=6306.88, E=8956.21 AB  
INSTALL 15" END SECTION

NORMAL POOL=1379.4  
100-YR WSEL=1382.8

INSTALL 5.4 S.Y. OF  
LIGHT STONE RIP-RAP  
W/GROUTED STONE  
TOEWALL (2'x4'x4')

**LEGEND**

- \* SPRINKLER
- IRRIGATION CONTROL VALVE
- ⊗ TV CABLE
- ⊗ TREE REMOVAL

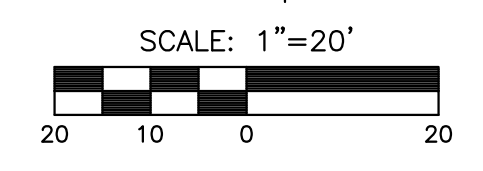
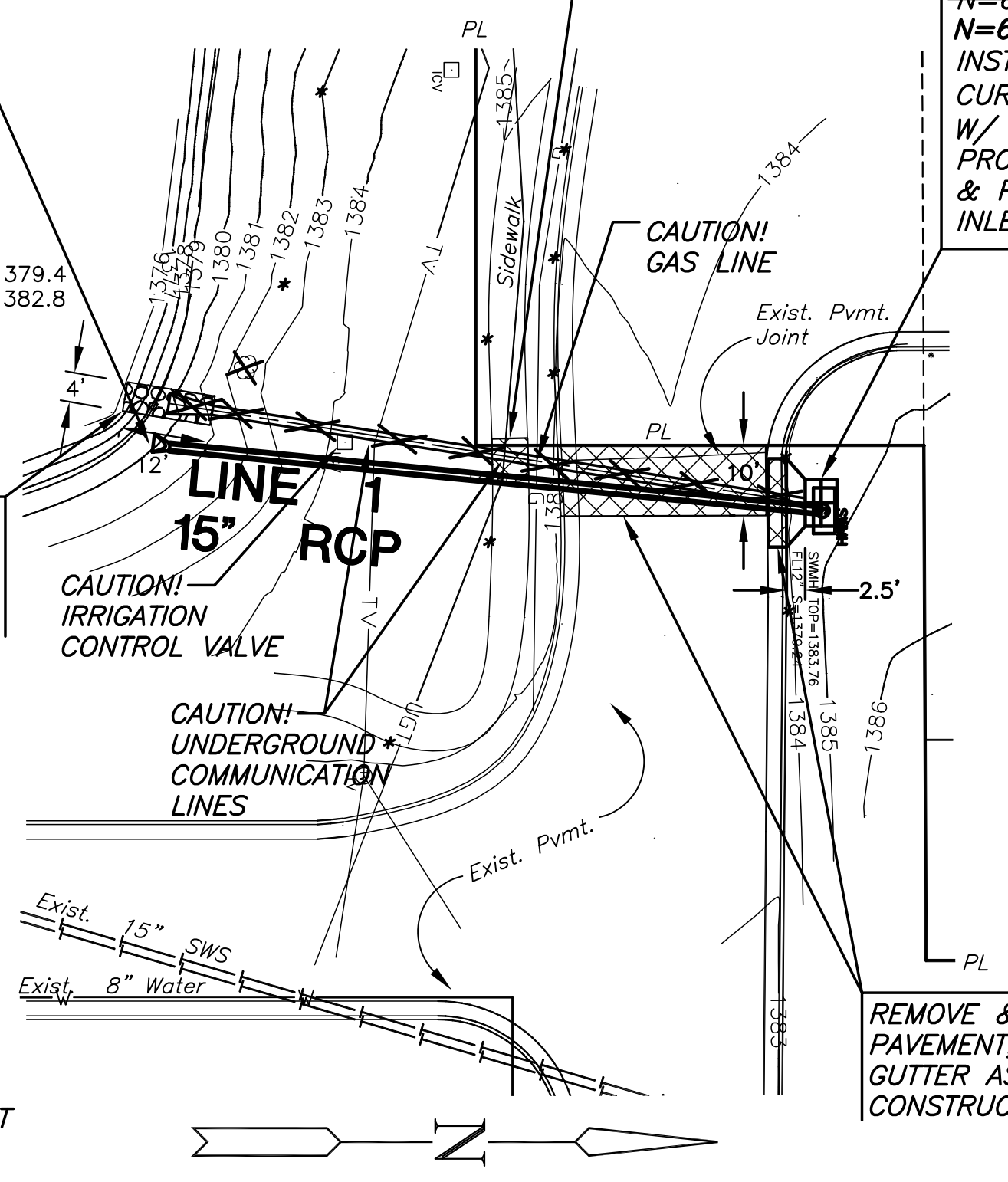
**NOTES:**

- CONTRACTOR TO REPAIR AND/OR REPLACE ANY DAMAGED IRRIGATION LINES, SPRINKLERS AND VALVES. COST SUBSIDIARY TO PROJECT.

REMOVE & REPLACE  
SIDEWALK AS REQUIRED TO  
CONSTRUCT STORM SEWER.

STA. 10+89.7, LINE 1  
N=6397.67, E=8964.34  
N=6397.78, E=8965.39 AB  
INSTALL TYPE 1A  
CURB INLET (5'x3')  
W/ MODIFIED GUTTER PAN  
PROVIDE SEDIMENT BARRIER  
& PAVMT. UNDERDRAIN  
INLET TOP=1383.50

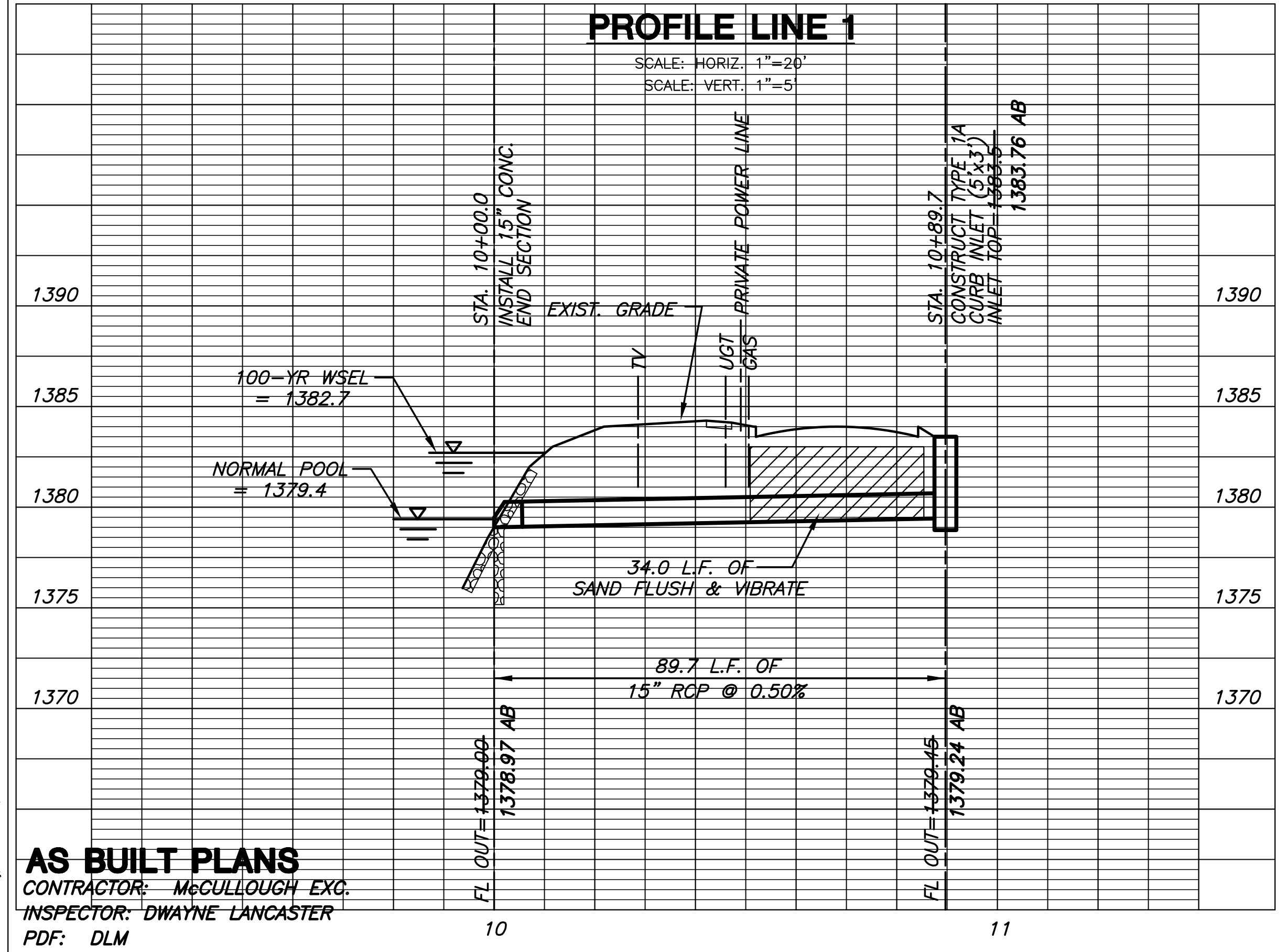
REMOVE & REPLACE ASPHALT  
PAVEMENT, & CURB &  
GUTTER AS REQUIRED TO  
CONSTRUCT STORM SEWER.



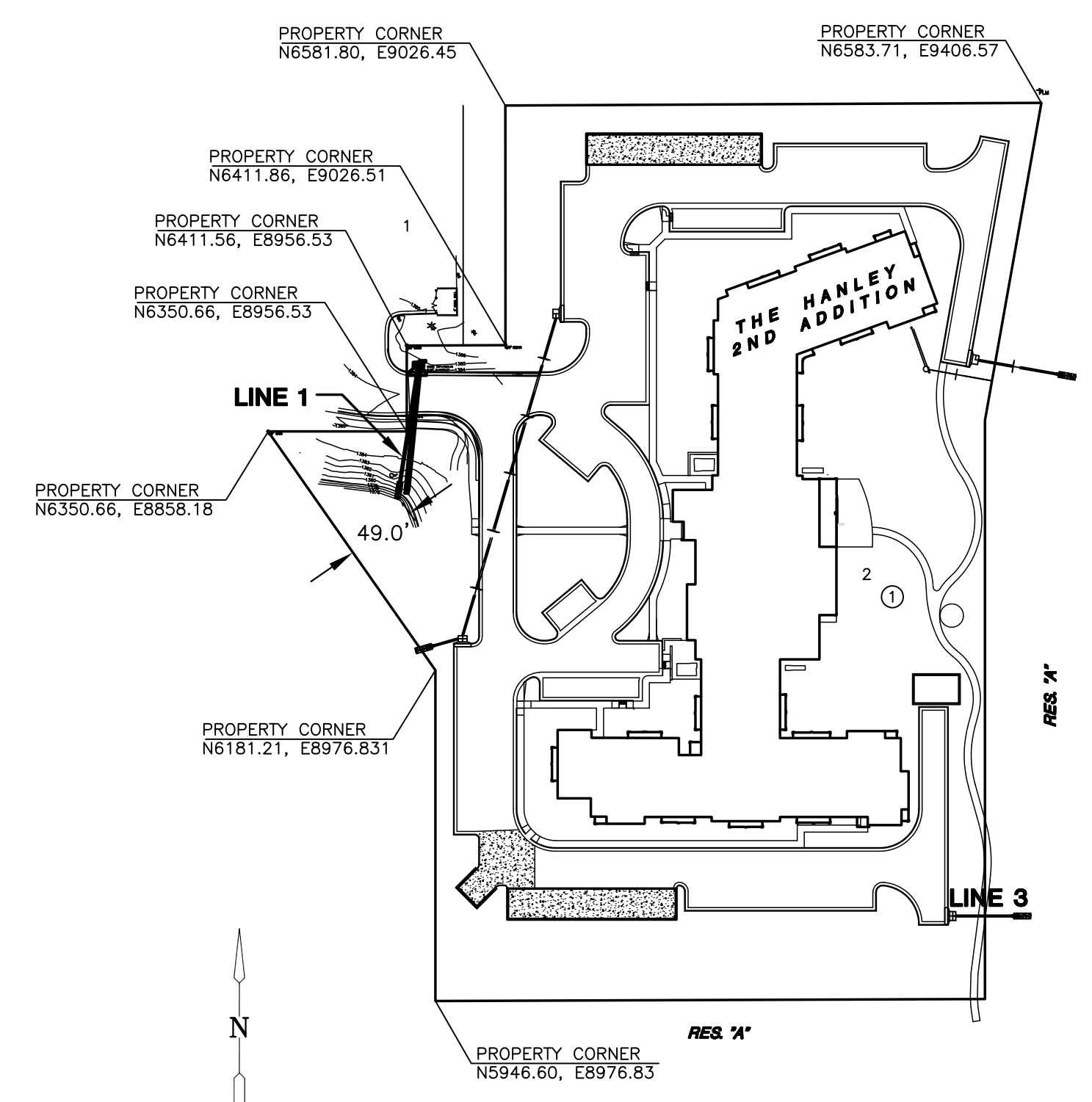
**PLAN LINE 1**

**PROFILE LINE 1**

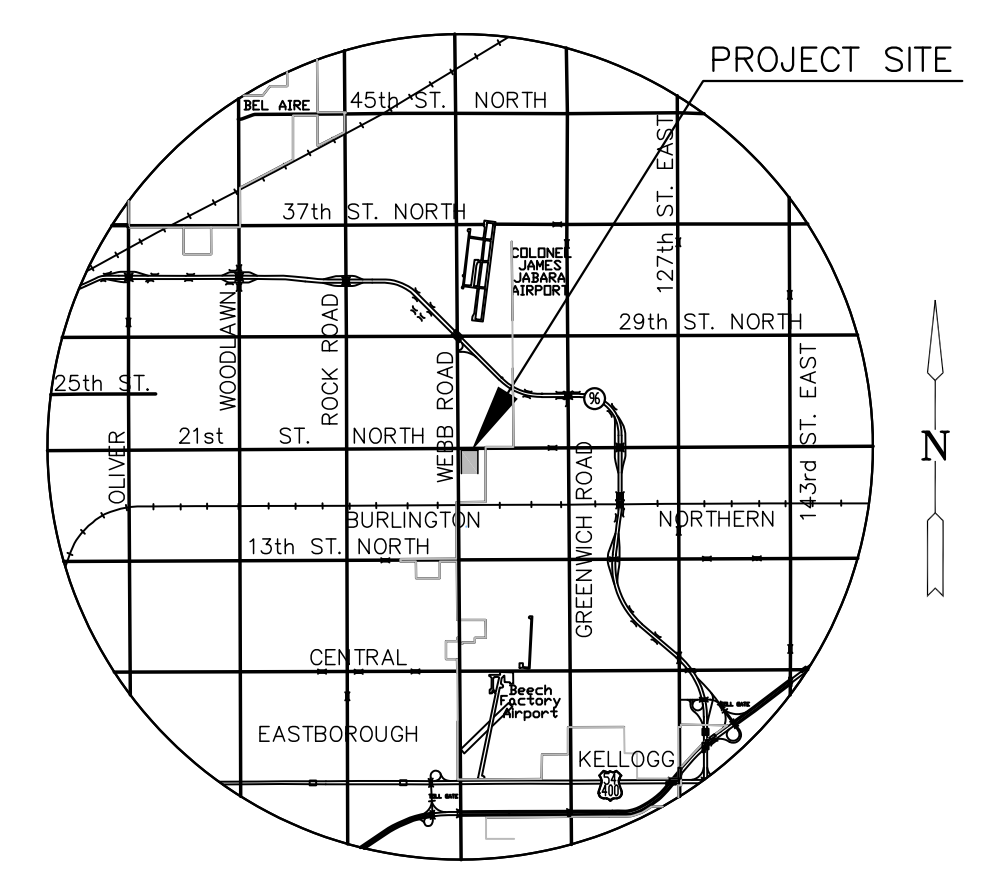
SCALE: HORIZ. 1"=20'  
SCALE: VERT. 1"=5'



**AS BUILT PLANS**  
CONTRACTOR: McCULLOUGH EXC.  
INSPECTOR: DWAYNE LANCASTER  
PDF: DLM



**SITE MAP**



**VICINITY MAP**

**CITY OF WICHITA  
PRIVATE PROJECT  
2062PPS (607861)**

APPROVED AS NOTED  
BY CITY ENGINEER OF WICHITA

STORM SEWERS *Julianne Kallman* 7-12-10

**NOTE TO CONTRACTOR**

INSPECTION AND TESTING FOR THIS PROJECT IS TO BE PROVIDED BY A LICENSED CONSULTING ENGINEERING FIRM UNDER CONTRACT WITH THE CONTRACTOR. SAID INSPECTION TO BE IN ACCORDANCE WITH THE CITY OF WICHITA STANDARD CONSTRUCTION ENGINEERING PRACTICES AND CERTIFIED BY A LICENSED PROFESSIONAL ENGINEER. NO WORK SHALL BE PERFORMED IN DEDICATED EASEMENTS OR THE PUBLIC RIGHT-OF-WAY BY THE CONTRACTOR WITHOUT SUCH INSPECTION NOR SHALL ANY WORK BE COMMENCED IN DEDICATED EASEMENTS OR PUBLIC RIGHT-OF-WAY WITHOUT WRITTEN AUTHORIZATION BY THE CITY ENGINEER.

**GENERAL NOTES**

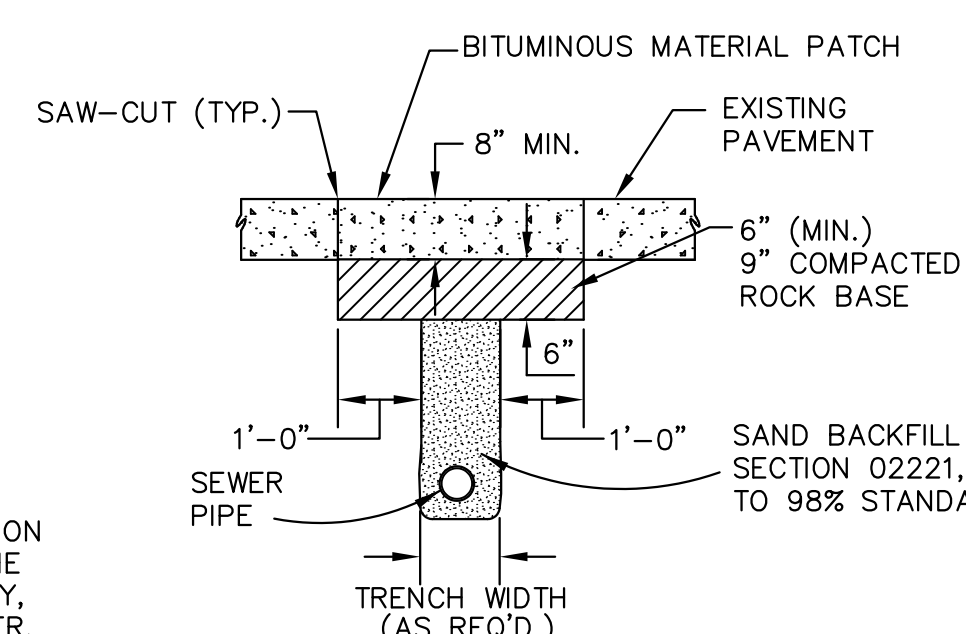
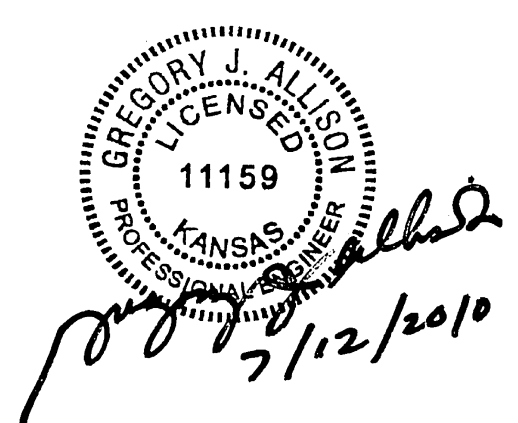
- UNLESS SHOWN OR OTHERWISE STATED ON THESE DRAWINGS, MATERIALS AND CONSTRUCTION SHALL BE IN ACCORDANCE WITH THE CITY OF WICHITA STANDARD SPECIFICATIONS.
- THE TOPS OF INLETS AND MANHOLES AS NOTED ON THE PLANS MAY VARY SO AS TO MEET PROPOSED TOP OF CURB ELEVATIONS OR PAVEMENT ELEVATIONS. THE FIELD ENGINEER SHALL LOCATE INLETS AND MANHOLES WITH REFERENCE TO PROPOSED PAVING PLANS OF THE PERTINENT STREETS.
- ALL CONCRETE SHALL BE STANDARD PAVING MIX UNLESS OTHERWISE NOTED.
- THE CONTRACTOR SHALL BE RESPONSIBLE FOR PRESERVING PROPERTY IRONS. THE CONTRACTOR SHALL BE REQUIRED TO RE-ESTABLISH ANY PROPERTY IRONS WHICH ARE DAMAGED OR DESTROYED BY HIS CONSTRUCTION OPERATIONS. SUCH IRONS SHALL BE RE-ESTABLISHED BY A LICENSED LAND SURVEYOR IN ACCORDANCE WITH STATE LAWS.
- TREES TO BE REMOVED ARE MARKED ⊗. ALL TREES WHICH IN THE OPINION OF THE FIELD ENGINEER CAN BE SAVED, SHALL BE SAVED.
- CONTRACTOR SHALL NOTIFY UTILITY COMPANIES OF CONSTRUCTION SCHEDULING.
- EXISTING UTILITIES AND THEIR LOCATIONS, AS SHOWN ON THE PLANS REPRESENT THE BEST INFORMATION OBTAINABLE FOR DESIGN. LOCATION INFORMATION HAS BEEN OBTAINED FROM THE VARIOUS COMPANIES AND IS EITHER FROM COMPANY UTILITY DRAWINGS OR COMPANY PROVIDED FIELD LOCATIONS. THE PLAN LOCATIONS SHOWN ARE NOT GUARANTEED. ADDITIONAL EXISTING UTILITIES MAY ALSO BE ENCOUNTERED.
- CONTRACTOR WILL BE REQUIRED TO PROVIDE A MINIMUM ADVANCE NOTICE OF SEVENTY-TWO (72) HOURS TO UTILITY COMPANIES TO STARTING ANY EXCAVATION AS FOLLOWS:  
  
KANSAS ONE-CALL 800-344-7233  
OR 687-2470 (LOCAL WICHITA)  
  
THE CONTRACTOR MUST NOTIFY THE FOLLOWING IN CASE OF EMERGENCY:  
  
COX COMMUNICATIONS (CABLE) 262-0661  
WESTAR (ELECTRIC) 261-6512  
KANSAS GAS SERVICE (GAS) 832-3101  
SBC (TELEPHONE) 800-870-8390  
CITY OF WICHITA WATER & SEWER 262-6000  
BLACK HILLS ENERGY (GAS) 800-303-0357
- RUBBLE FROM THE REMOVAL OF MISCELLANEOUS STRUCTURES AND EXCESS EXCAVATION WHICH IS TO BE WASTED SHALL BE DISPOSED OF ON SITES TO BE PROVIDED BY THE CONTRACTOR. THESE SITES SHALL BE APPROVED BY THE ENGINEER AS TO SUITABILITY, APPEARANCE AND SITE LOCATION. LOCATIONS THAT, IN THE OPINION OF THE ENGINEER, WILL LEAVE AN UNSIGHTLY APPEARANCE WILL NOT BE APPROVED. ALL DISPOSAL SITES MUST BE APPROVED BY THE KANSAS DEPARTMENT OF HEALTH AND ENVIRONMENT. MATERIAL EITHER STOCKPILED OR DISPOSED OF IN A FLOOD PLAIN WOULD REQUIRE A KANSAS STATE BOARD OF AGRICULTURE PERMIT. ANY MATERIAL DUMPED IN WATERS OF THE UNITED STATES OR WETLANDS IS SUBJECT TO U.S. CORPS OF ENGINEERS PERMITTING REGULATIONS. ANY MATERIAL BURIED OR STOCKPILED BEYOND APPROVED CONSTRUCTION LIMITS WOULD REQUIRE ADDITIONAL ARCHAEOLOGICAL INVESTIGATIONS UNLESS BURIED IN A PREVIOUSLY APPROVED BORROW LOCATION.
- CONTRACTOR SHALL SOD ALL DISTURBED AREAS. COST SHALL BE CONSIDERED SUBSIDIARY TO SITE RESTORATION.

**LEGAL DESCRIPTION**

PART OF LOT 2, BLOCK 1, THE HANLEY 2ND ADDITION, AN ADDITION TO WICHITA, SEDGWICK COUNTY, KANSAS.

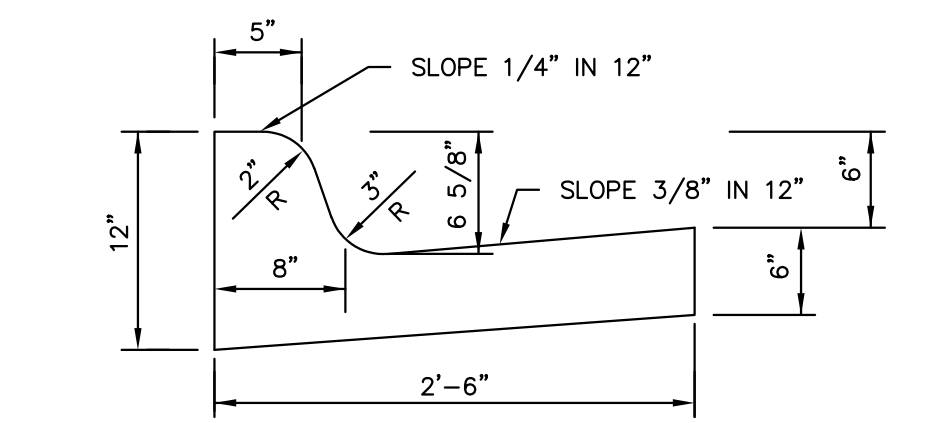
**BENCHMARKS**

BM#1 " " ON NORTHEAST CORNER OF RCB, ± 60' SOUTH OF SHADYBROOK AND WEBB ROAD ELEV.=1384.43 (NGVD29)



**PAVEMENT REMOVAL & REPLACEMENT DETAIL**

NOTE: BITUMINOUS MATERIAL SHALL BE COMMERCIAL GRADE, CONFORMING TO THE REQUIREMENTS OF SECTION 605 "KDOT STANDARD SPECIFICATIONS FOR STATE ROAD & BRIDGE CONSTRUCTION, 1990"



**COMBINED CURB & GUTTER**

NOTE: ALL LINES TO BE INSTALLED BY OTHERS ARE SUBJECT TO O.C.I. REVIEW.

NOTE: CONTRACTOR TO VERIFY LOCATION AND ELEVATION OF EXISTING UTILITIES PRIOR TO CONSTRUCTION.

**LINE 1**  
SHEET TITLE  
07704  
PROJECT NUMBER

DESIGN BY: DFL  
DRAWN BY: JWC  
CHECKED BY: GJA

ISSUED: November 2010  
REVISED:

SHEET NO. 1 of 1