

PRIVATE STORM WATER DRAIN TO SERVE FED EX FACILITY SKYWAY INDUSTRIAL PARK 2ND PRIVATE PROJECT NO. 2013 PPS (607861)

As Built Plans
Contractor: Mies Const.
Inspector: Schwab-Eaton, P.A.
pdf by: BDB 11-15-10
Project was constructed according
to revised plans approved on May
4, 2010.

GENERAL NOTES

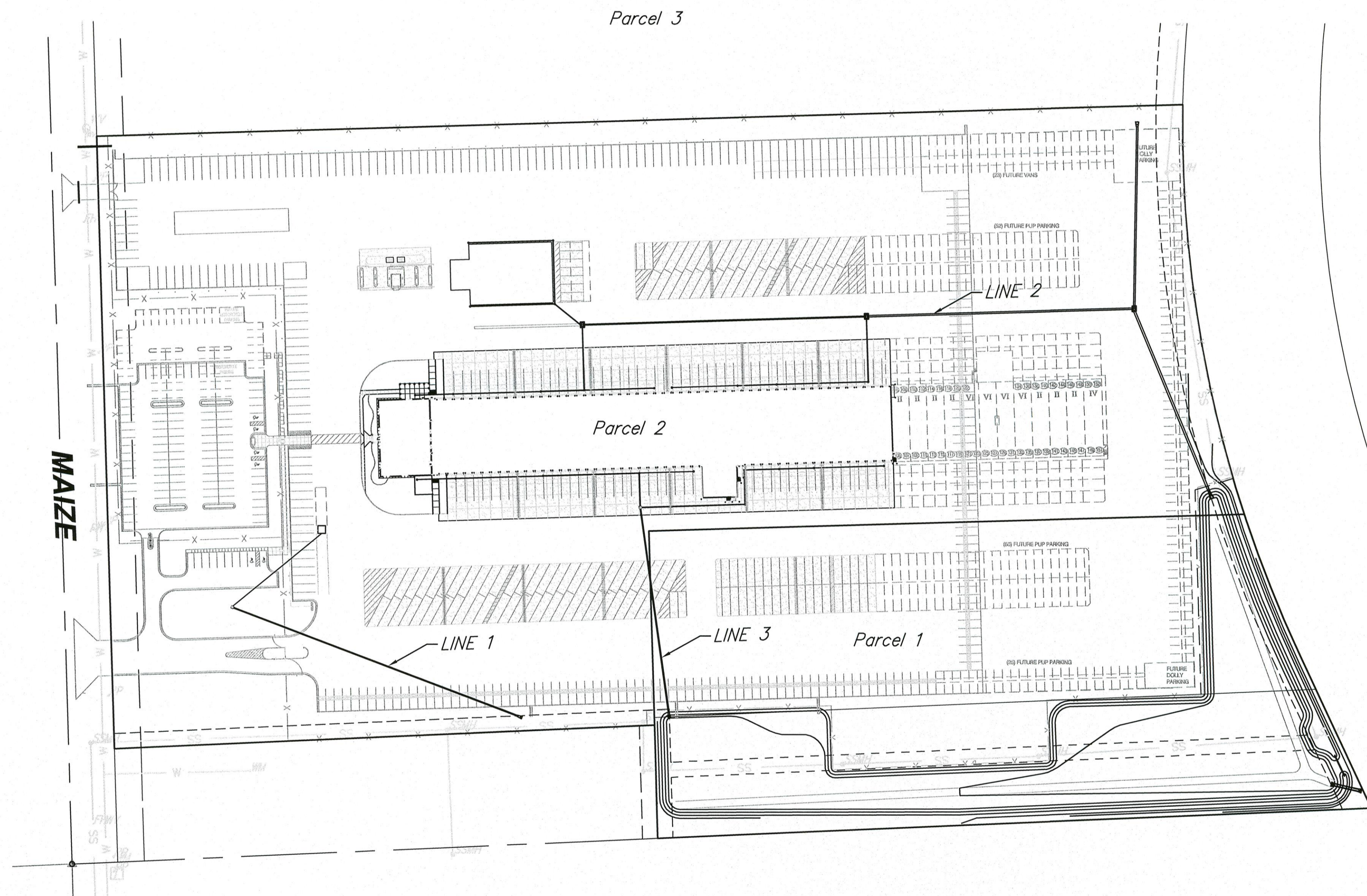
- Contractor will be required to provide a minimum advance notice of seventy-two (72) hours to utility companies prior to starting any excavation as follows:

Kansas One-Call	687-2470 or 811
-----------------	-----------------
- The Contractor must notify the following in case of an emergency:

Cox Communications	260-7204
Kansas Gas Service	832-3126
Westar	383-8600
Aquila Net	1-800-303-0357
AT&T	1-800-286-8313
City of Wichita Water Utilities	262-6000
- Underground utility service lines and overhead utility pole lines are to be adjusted as necessary by others prior to construction unless the plans specifically call for their adjustment by the Contractor or unless the plans specifically identify a utility to be adjusted by its owner during construction. Existing utilities and their location, as shown on the plans, represent the best information obtainable for design. Location information has been obtained from the various utility companies and is either from company record drawings or company-provided field locations. The Contractor will be required to work around existing utilities within the right-of-way which do not conflict with proposed construction.
- Rubble from the removal of miscellaneous structures and excess excavation which is to be wasted shall be disposed of on sites to be provided by the Contractor. These sites shall be approved by the Engineer as to suitability, appearance and site location. Locations that, in the opinion of the Engineer, will leave an unsightly appearance will not be approved.
- All disposal sites must be approved by the Kansas Department of Health and Environment. Material either stockpiled or disposed of in a flood plain would require a Kansas State Board of Agriculture permit. Any material dumped in waters of the United States or wetlands is subject to U.S. Corps permitting regulations. Any material buried or stockpiled beyond approved of Engineers construction limits would require additional archeological investigations unless buried in a previously approved borrow location.
- The Contractor shall give all property owners and/or tenants of developed property directly abutting the construction of this project a minimum of ten (10) days advance notice prior to start of construction.
- The Contractor shall be responsible for preserving property irons. The Contractor will be required to re-establish any property irons which are damaged or destroyed by his construction operations. Such irons shall be re-established by a licensed land surveyor in accordance with state laws.
- Construction of this project will be subject to all provisions and requirements of the "Construction of Infrastructure by Private Contract" available from the City of Wichita Public Works Department.

INDEX OF SHEETS

- C2.1 STORM SEWER COVER
- C2.2 STORM SEWER PLAN/PROFILE
- C2.3 STORM SEWER PLAN/PROFILE
- C2.4 STORM SEWER PLAN/PROFILE
- C2.5 STORM SEWER PLAN/PROFILE
- C2.6 STORM SEWER PLAN/PROFILE
- C2.7 ROOF DRAIN LINES
- C2.8 STORM SEWER DETAILS
- C1.6 DETENTION POND PLAN



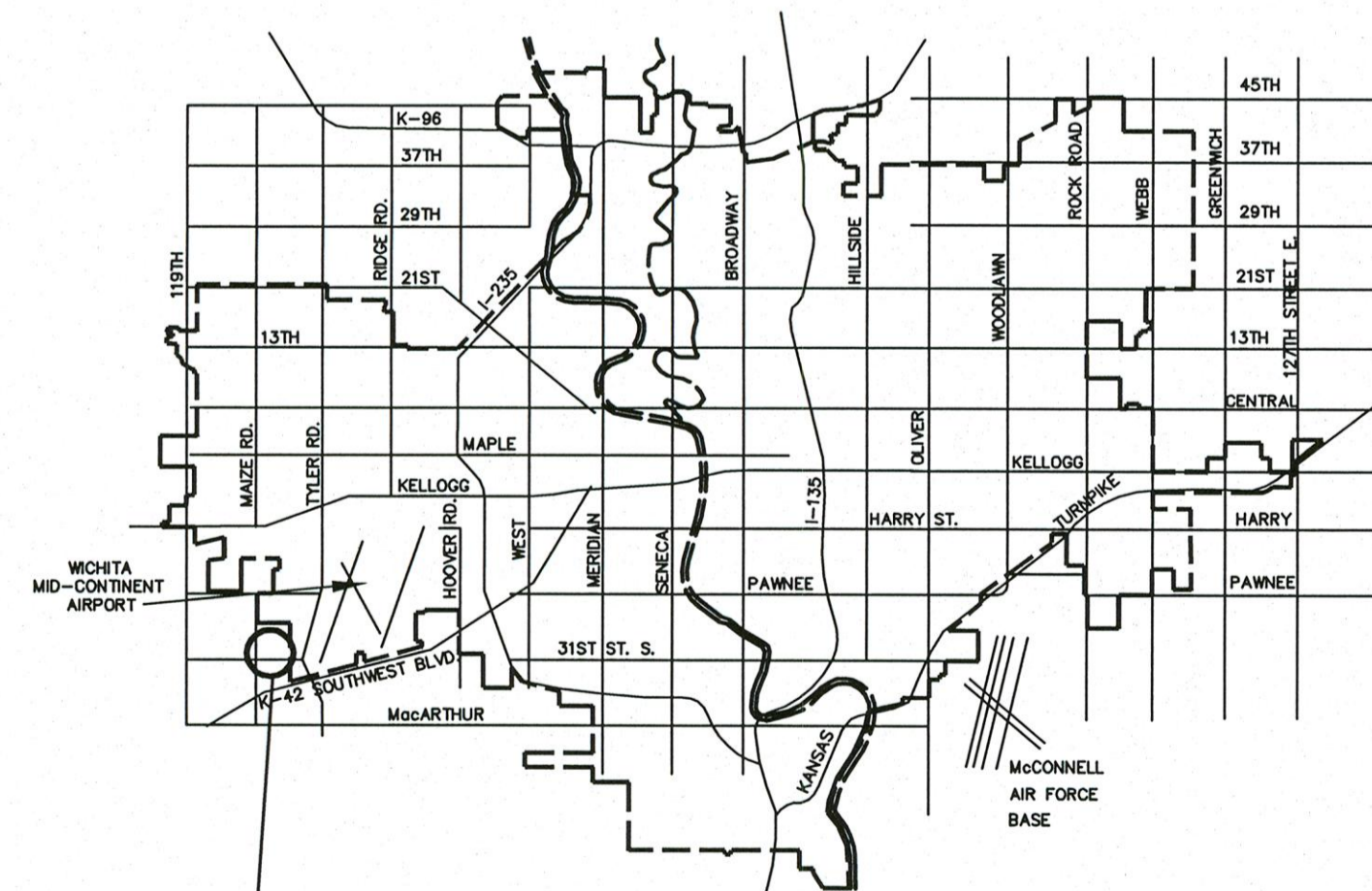
APPROVED AS NOTED
BY CITY ENGINEER OF WICHITA
BY WICHITA FIRE DEPARTMENT

Public Works _____
Water & Sewer _____
Fire Prot. Line _____

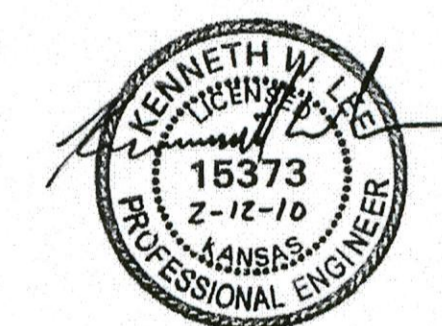
NOTE TO CONTRACTORS

Public Property:
Inspection and testing for the waterline is to be provided by a Licensed Consulting Engineering Firm under contract with the Owner/Developer. Said inspection to be in accordance with the City of Wichita standard construction engineering practices and certified by a Licensed Professional Engineer. No work shall be performed in dedicated easements or public right-of-way by the Contractor without such inspection nor shall any work be commenced without written authorization by the City Engineer. All Construction and Materials shall comply with the City of Wichita Specifications and Standards (on file and available in the City Engineer's Office).

Private Property:
Inspection and testing for the fire protection line is to be performed by a City of Wichita certified fire protection contractor in accordance with the fire codes as adopted by the City of Wichita. All materials and construction practices for the fire protection line shall comply with the fire codes as adopted by the City of Wichita (available from the City of Wichita Fire Department). The Contractor shall not commence work without notification to and approval of the Wichita Fire Department.

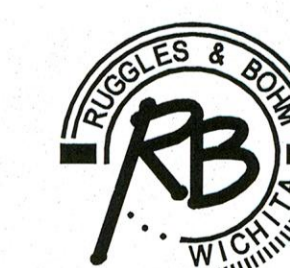


VICINITY MAP



APPROVED
MAY 04 2010
FEDEX FREIGHT
FOR CONSTRUCTION

Revised: 2-12-10

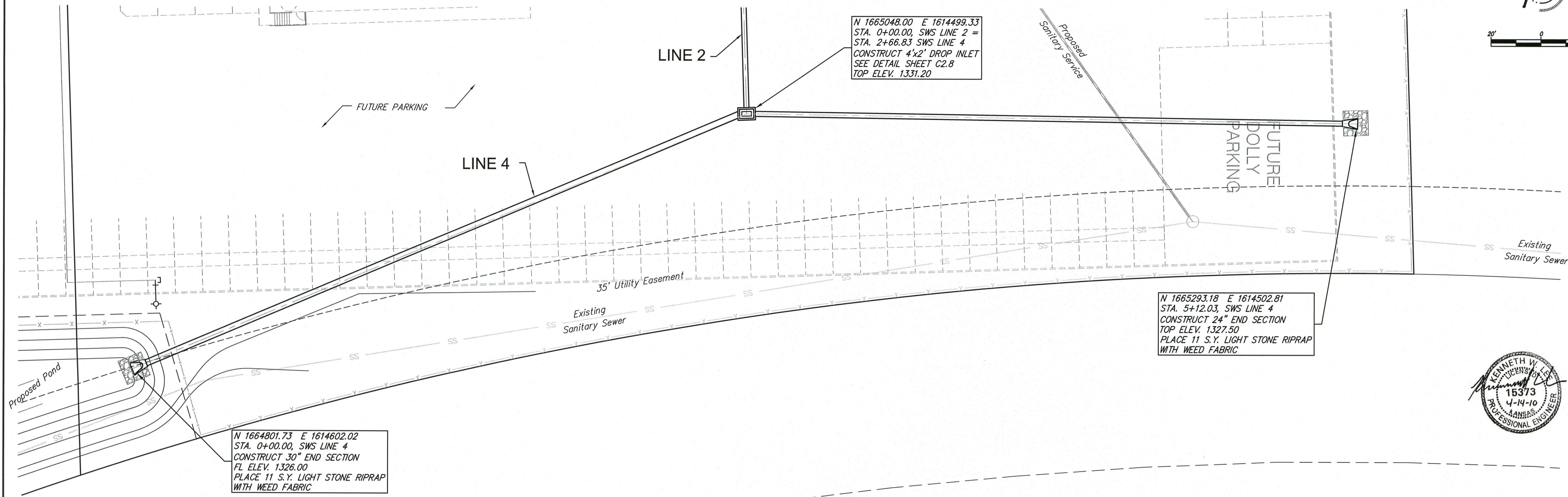
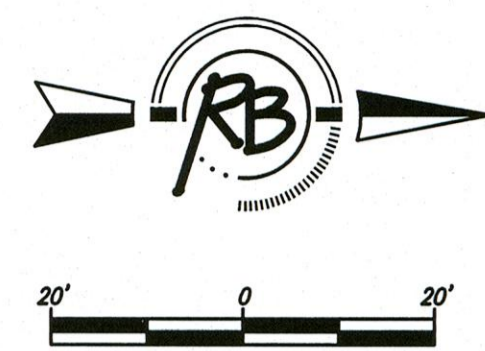


Ruggles & Bohm, P.A.
Engineering, Surveying, Land Planning
924 North Main (316) 264-8008
Wichita, Kansas 67203 (316) 264-4621 fax
www.rbkansas.com E-mail: info@rbkansas.com

Revised: 2-11-10

CITY OF WICHITA, KANSAS
JAMES L. ARMOUR, P.E. - CITY ENGINEER

SHEET C2.1

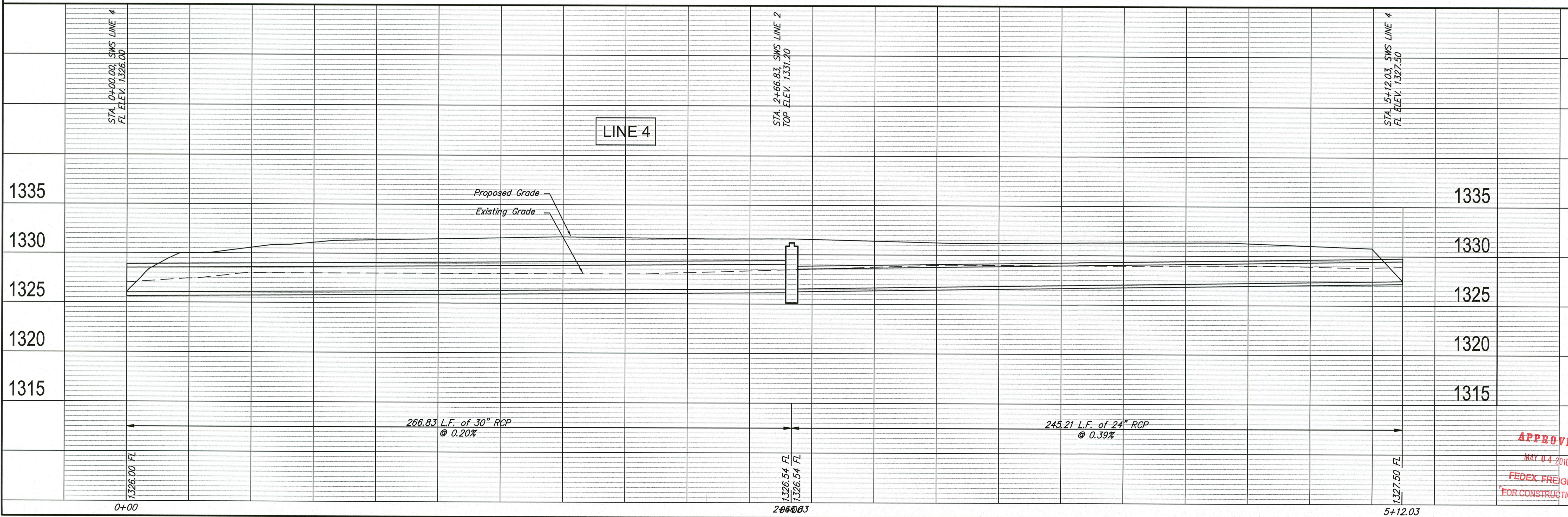


TYLER

Revised: 4-14-10
 Revised: 2-11-10



Ruggles & Bohm, P.A.
 Engineering, Surveying, Land Planning
 604 Main Street, Suite 200
 Wichita, Kansas 67202
 www.rugglesandbohm.com
 Phone: 316-261-8222
 Fax: 316-261-8223



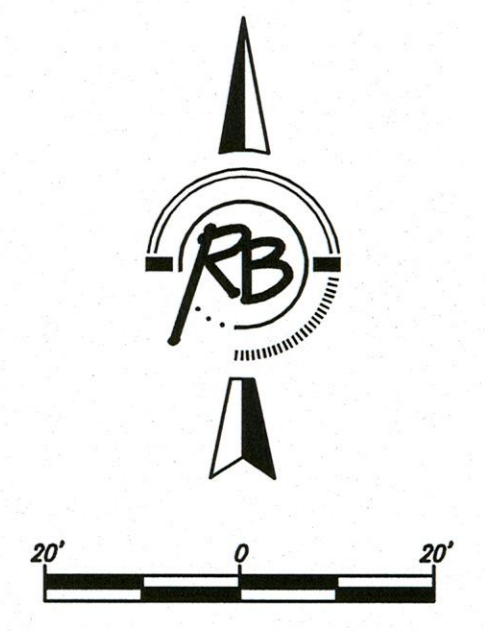
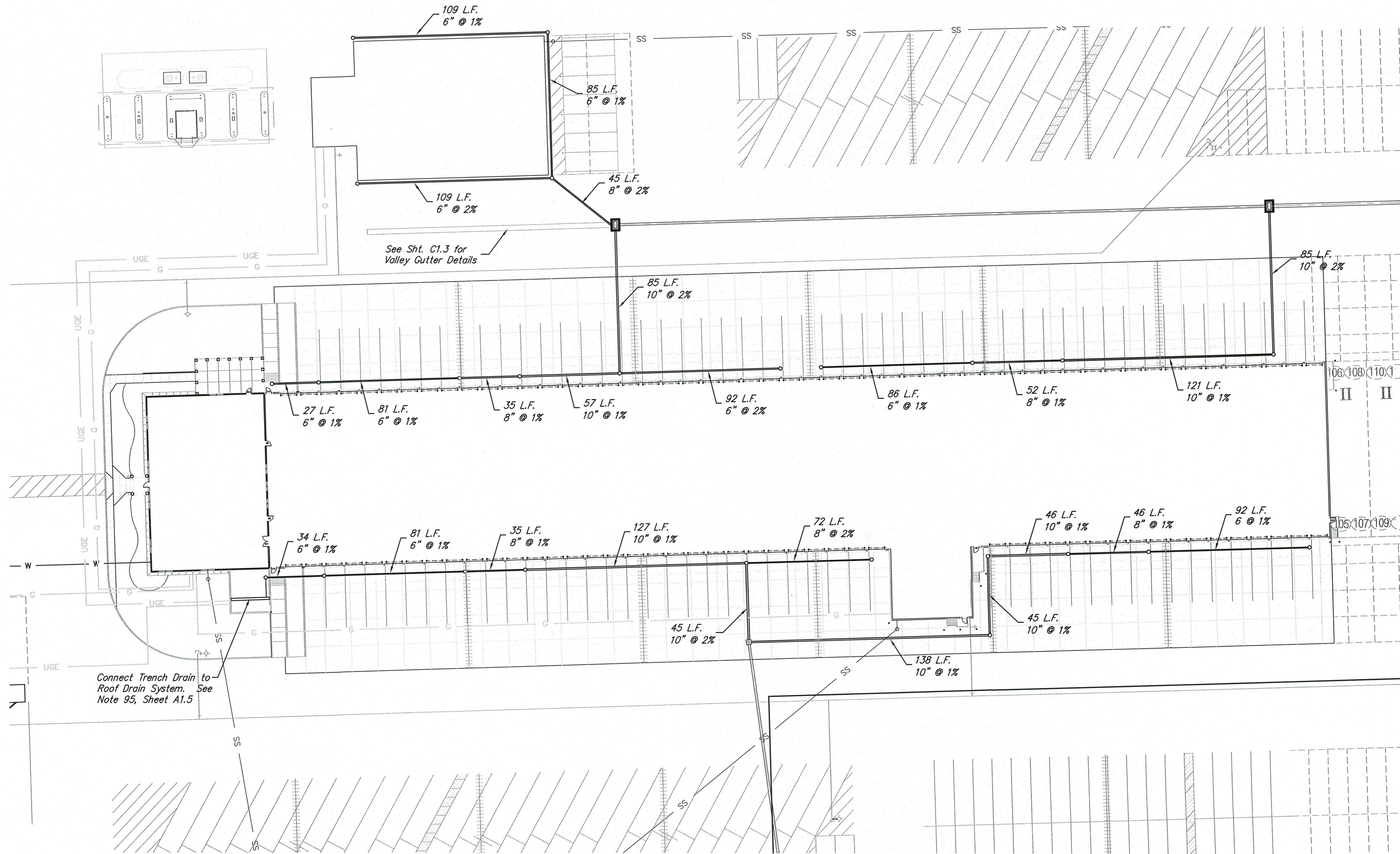
APPROVED
 MAY 04 2010
 FEDEX FREIGHT
 FOR CONSTRUCTION

REVISIONS
 NO. DATE BY
 1 4-14-10 KWL
 2 2-11-10 KWL

PROJECT NUMBER: ..
 DRAWING FILE: ..

**FED EX FREIGHT FACILITY
 STORM DRAIN LINE 4
 WICHITA, KANSAS**

RB JOB
 SHEET
 OF
C2.6



NOTES:

COORDINATE WITH BUILDING MECHANICAL FOR CONNECTIONS TO BUILDING ROOF DRAINS. FIELD ADJUST LOCATIONS OF CLEANOUTS TO MATCH.

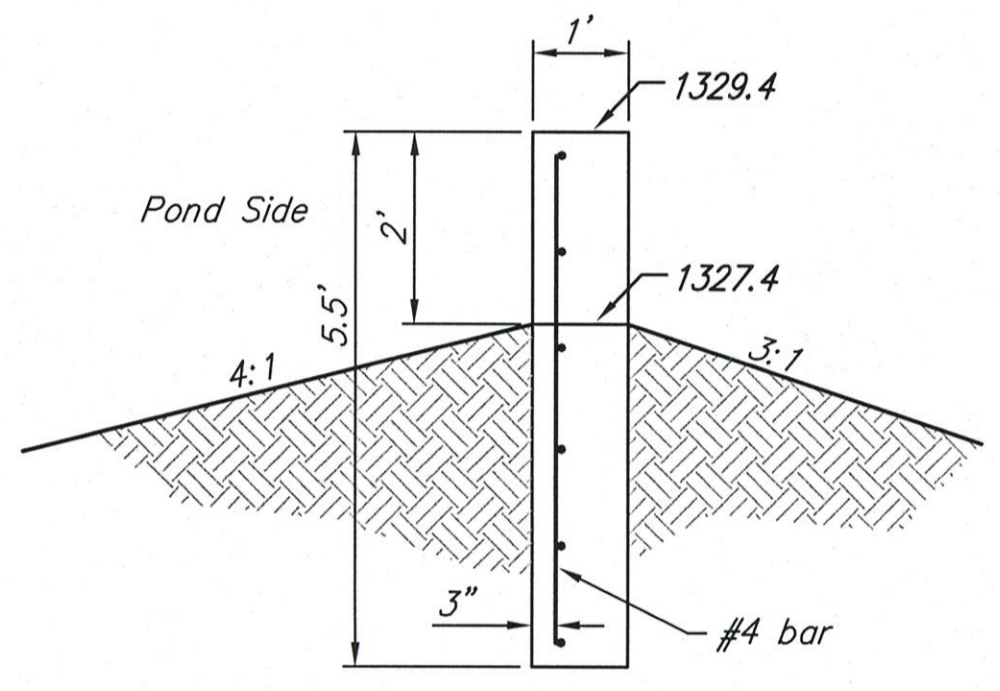
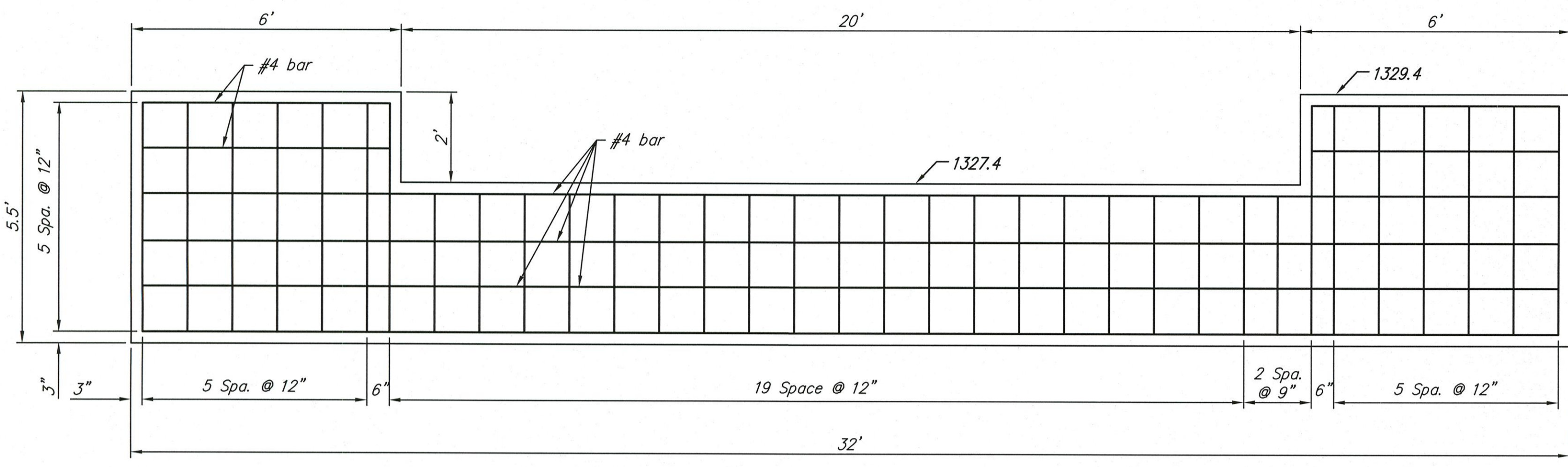
CIRCLES INDICATE LOCATIONS WHERE CHANGES IN PIPE SIZE OR SLOPE ARE REQUIRED. SIZE INDICATED IS MINIMUM ALLOWABLE. LARGER PIPE MAY BE USED WITH INSPECTOR'S APPROVAL.

APPROVED
MAY 04 2010
FEDEX FREIGHT
FOR CONSTRUCTION

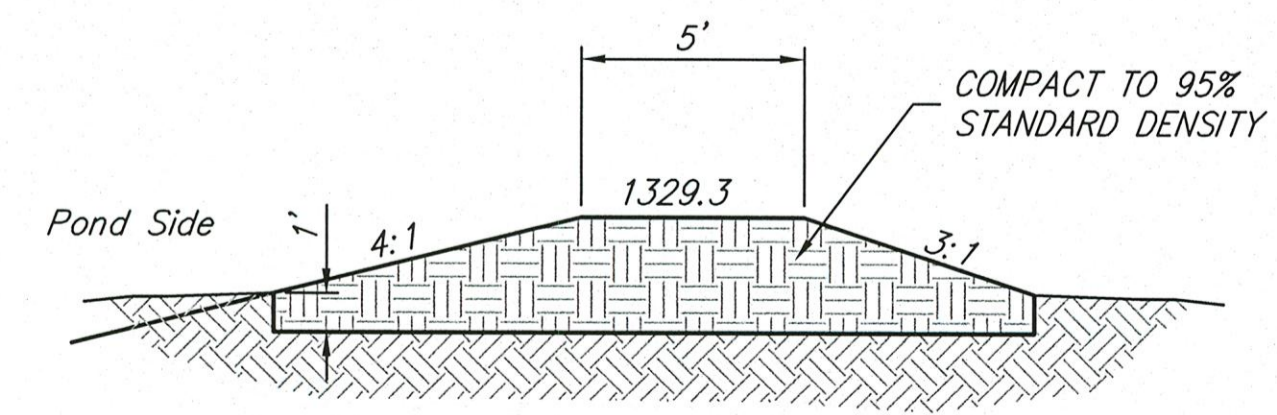
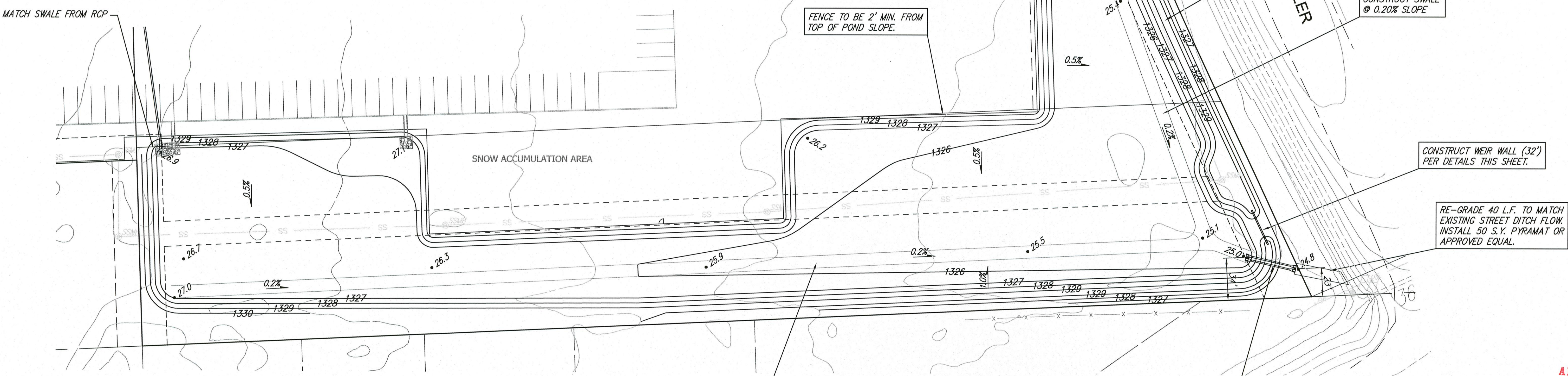
REVISED 4-14-10



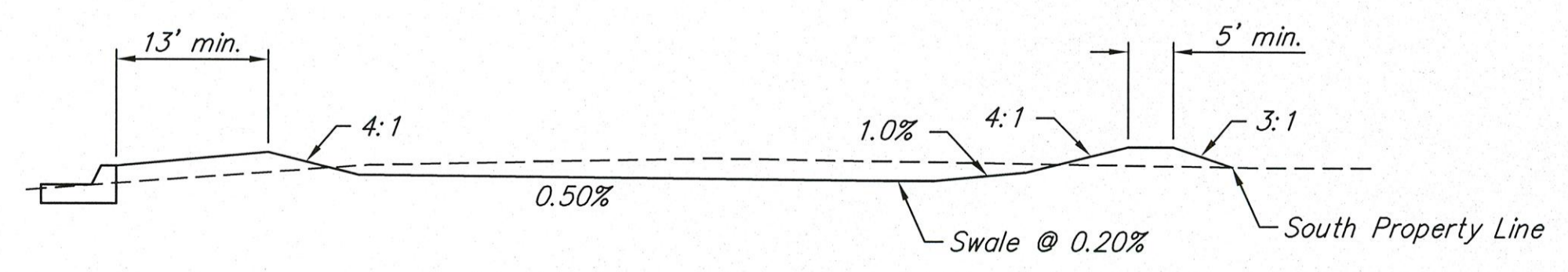
FED EX FREIGHT FACILITY ROOF DRAIN SYSTEM WICHITA, KANSAS		DESIGN KWL	C2.7 OF
Ruggles & Bohm, P.A. Engineering, Surveying, Land Planning		DRAWN RA	
924 North Main Wichita, Kansas 67203 www.rbkansas.com		REVIEW	
(316) 264-8008 (316) 264-4621 fax E-mail: info@rbkansas.com		UTILITY	
DRAWING FILE	PROJECT NUMBER	DATE	



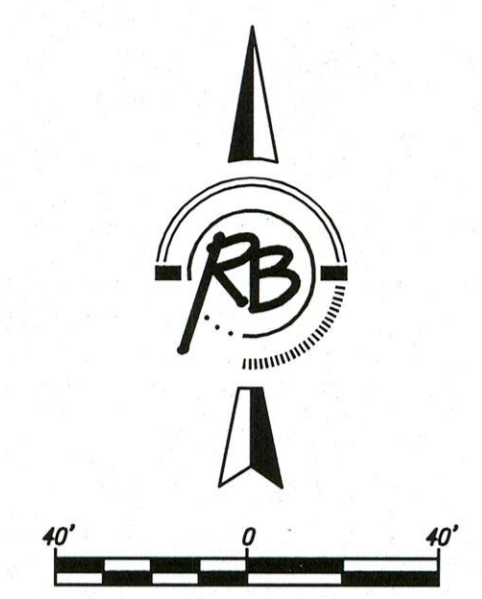
WEIR DETAILS



BERM DETAIL



POND SECTION



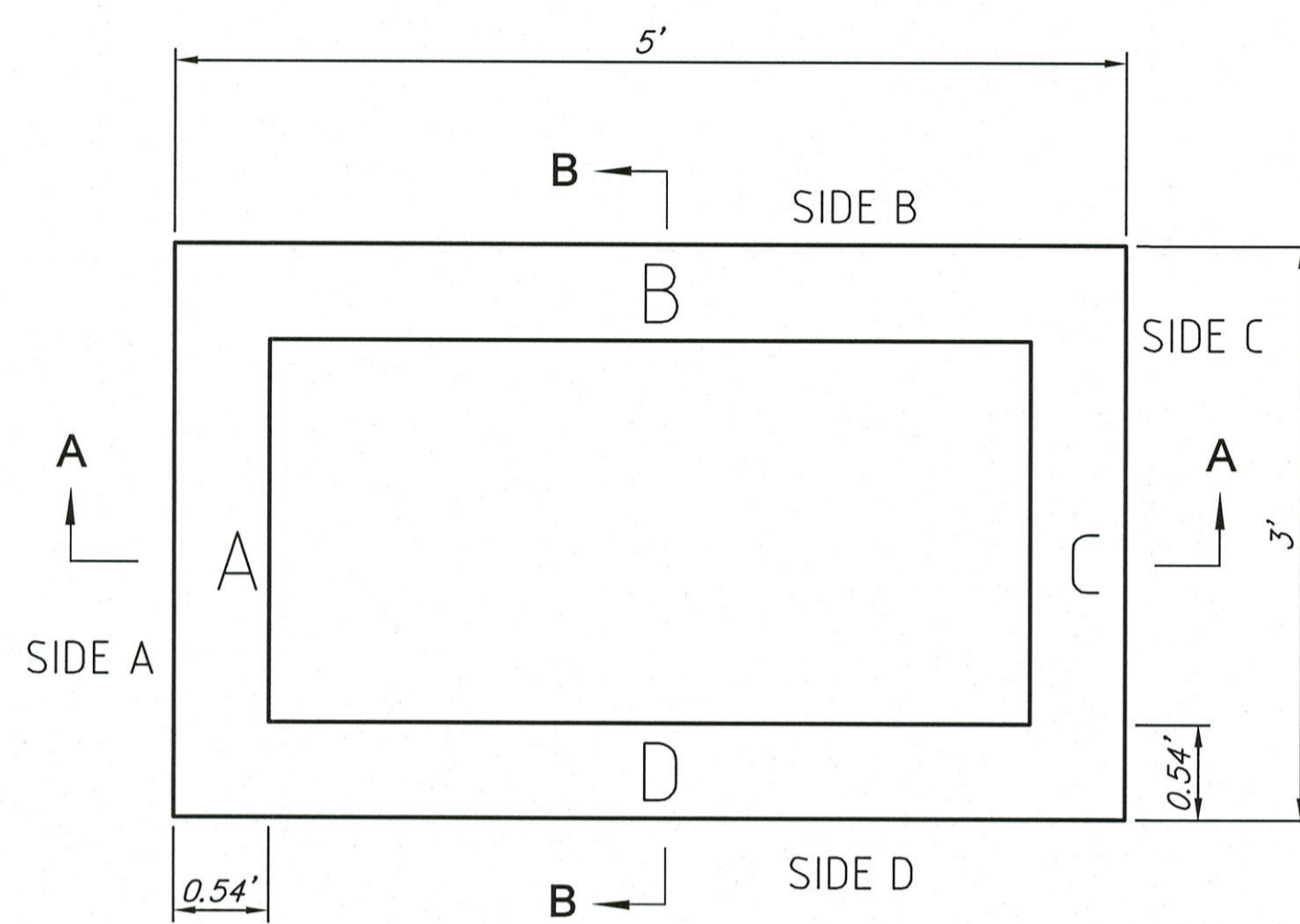
APPROVED
MAY 04 2010
FEDEX FREIGHT
FOR CONSTRUCTION

INSTALL 2 - 12" RCP PIPES
L = 40' (INCL. END SECTIONS)
FL 1325.00 U.S.
FL 1324.8 D.S.

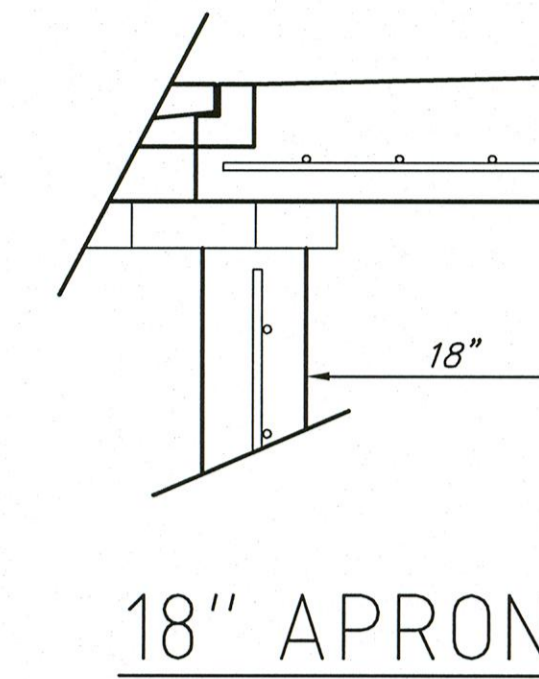
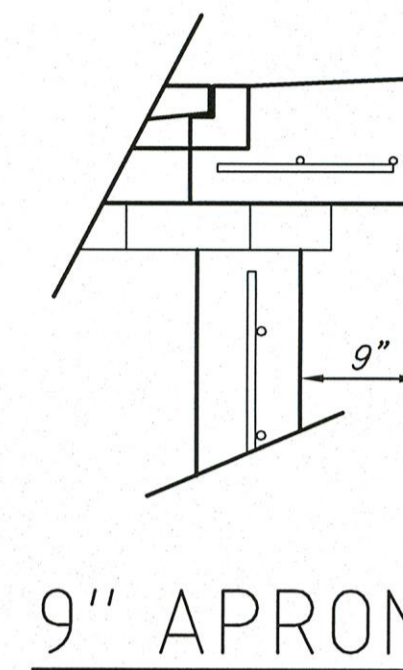


Revised: 1-4-10

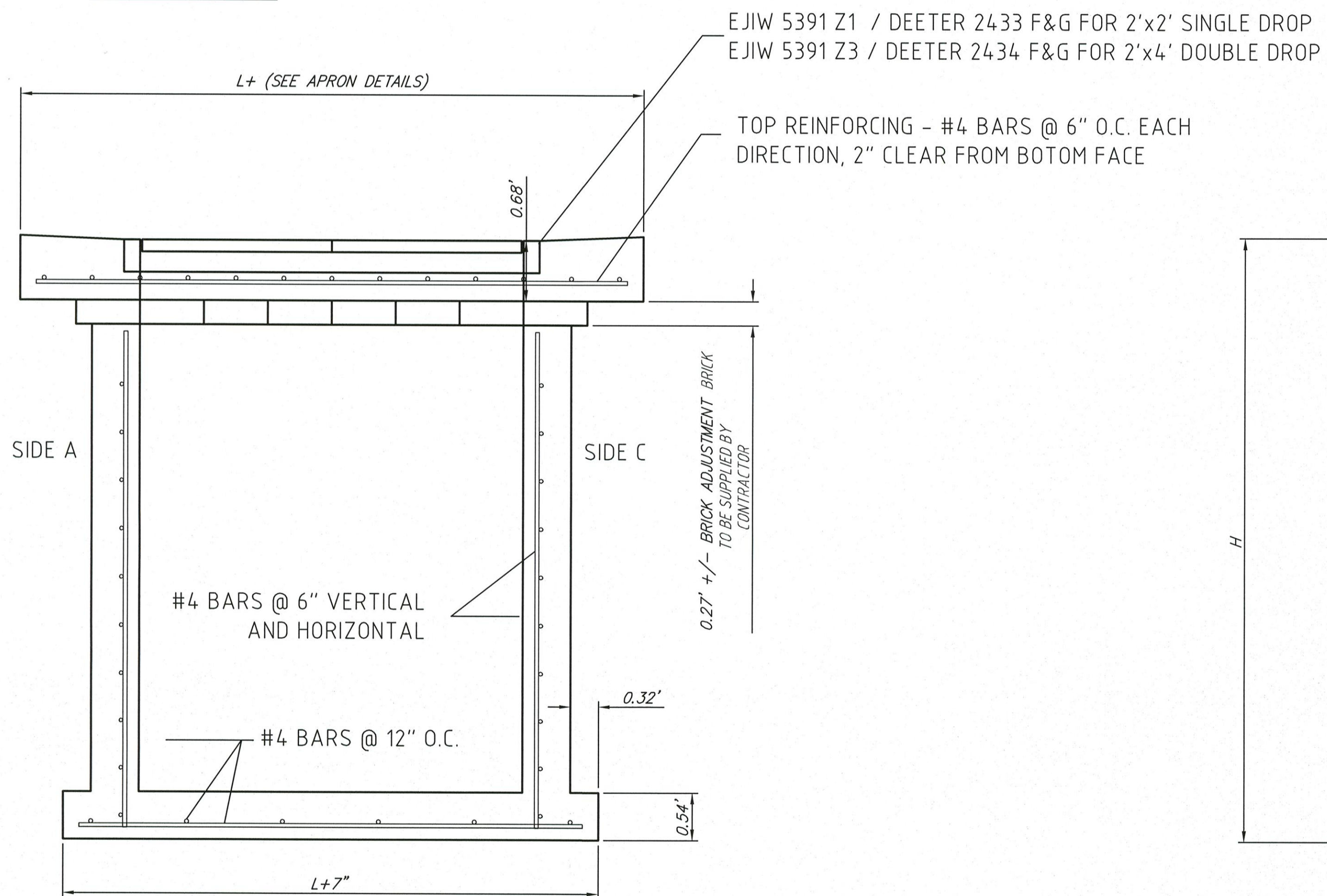
FED EX FREIGHT FACILITY DRY DETENTION POND WICHITA, KANSAS		DESIGN KWL
Ruggles & Bohm, P.A. Engineering, Surveying, Land Planning		DRAWN RA
924 North Main Wichita, Kansas 67203 www.rbkansas.com		REVIEW
(316) 264-8008 (316) 264-4621 fax E-mail: info@rbkansas.com		UTILITY
DRAWING FILE	PROJECT NUMBER	DATE
		SHEET C1.6 OF



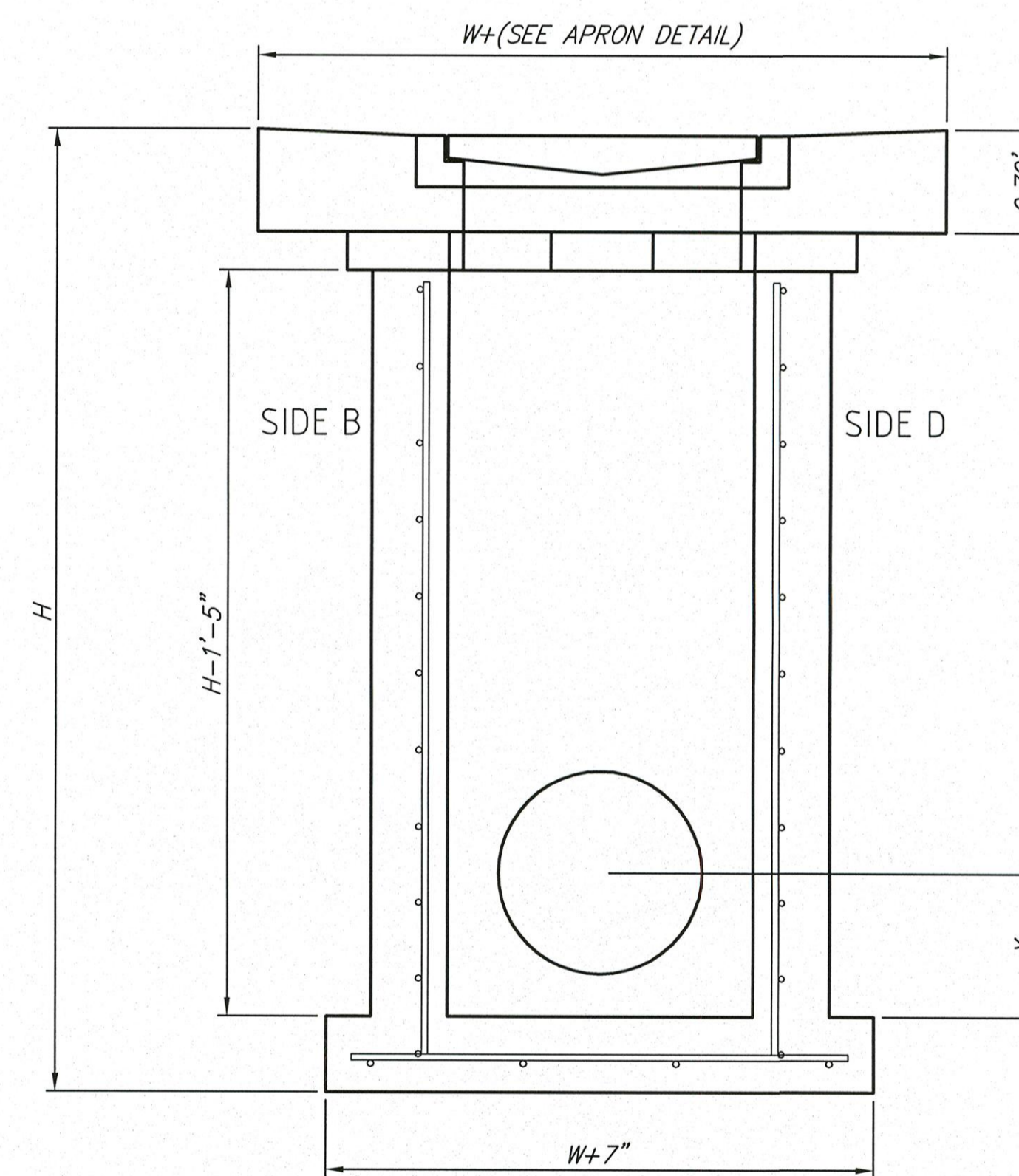
TOP VIEW



APRON TO EXTEND ON ALL 4 SIDES OF INLET



SECTION "A-A"



SECTION "B-B"

SINGLE DROP = 2' x 2' INSIDE
DOUBLE DROP = 2' x 4' INSIDE

WCP WICHITA CONCRETE PIPE COMPANY
221 W. 37th St. North, Wichita, KS. 67204 (316)-838-8651

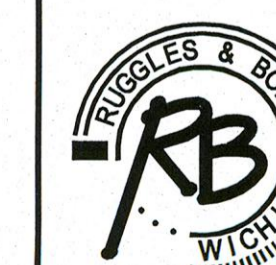
SINGLE / DOUBLE DROP INLET

SINGLE DROP AREA INLET

DDenglish.dwg

4/18/00 TWL

APPROVED
MAY 04 2010
FEDEX FREIGHT
FOR CONSTRUCTION



FED EX FREIGHT FACILITY
DROP INLET DETAILS
WICHITA, KANSAS

Ruggles & Bohm, P.A.
Engineering, Surveying, Land Planning
324 North Main (316) 264-8008
Wichita, Kansas 67203 (316) 264-4621 fax
www.rbkansas.com E-mail: info@rbkansas.com

DRAWING FILE PROJECT NUMBER DATE

DESIGN	KWL	SHEET C2.8 OF
DRAWN	RA	
REVIEW		
UTILITY		
DATE		