

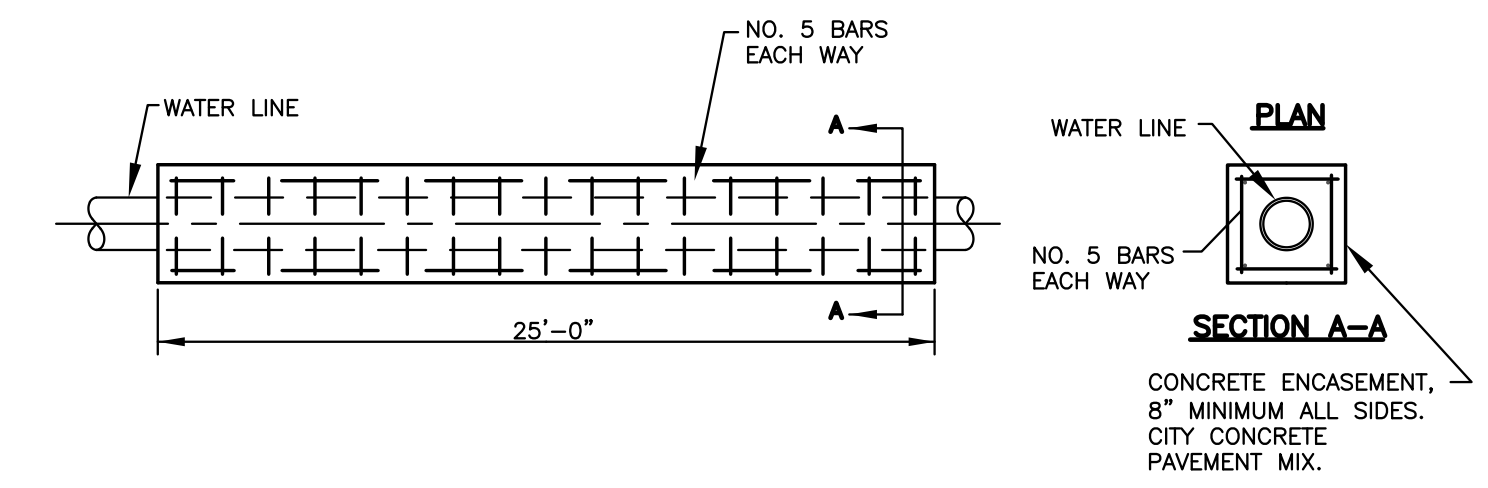
LATERAL 1, MAIN 6A, NW1
STONEBRIDGE ADDITION
WICHITA, KANSAS

LINE 1
SHEET TITLE
468-84571
PROJECT NUMBER

DFL
DESIGN BY
DM
DRAWN BY
GJA
CHECKED BY

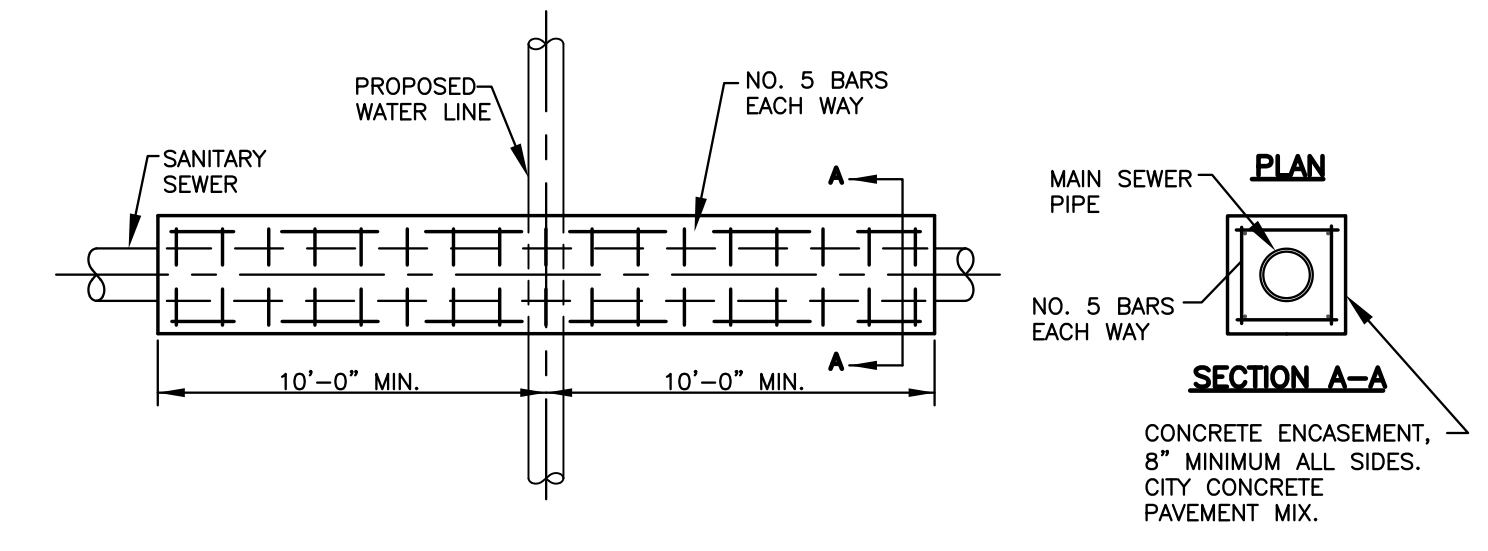
ISSUED
April 2010
REVISED
MAY 14, 2010
Pipe Size, Slope, Elev.

SHEET NO.
5 of 13



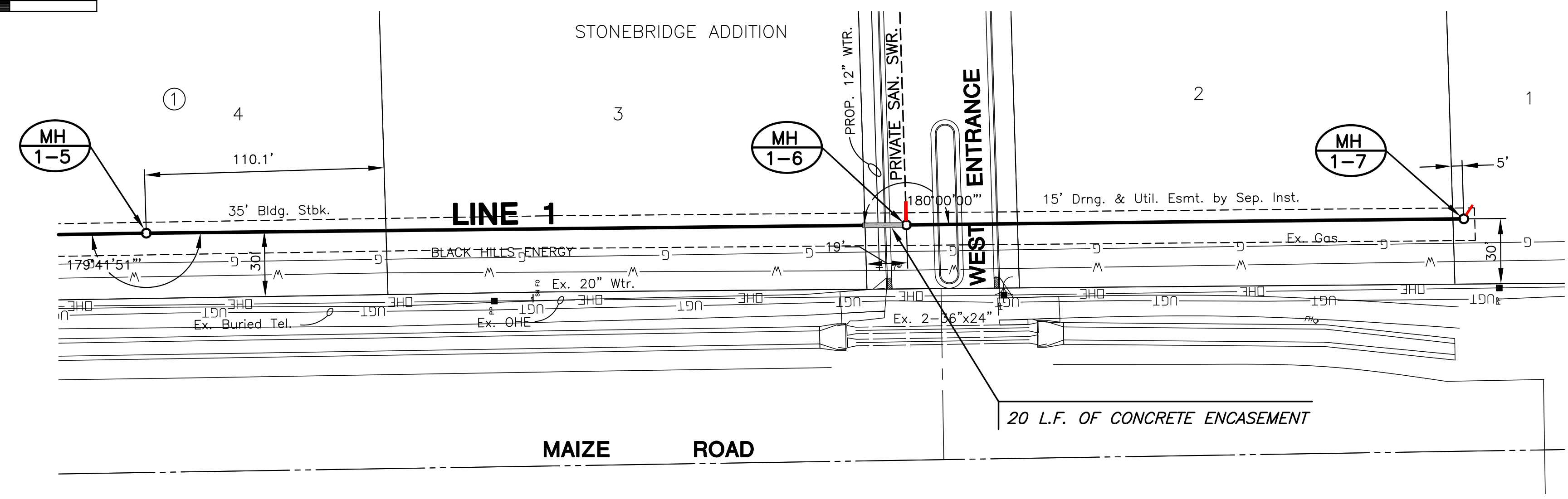
TYPICAL WATER LINE ENCASEMENT DETAIL

NO SCALE



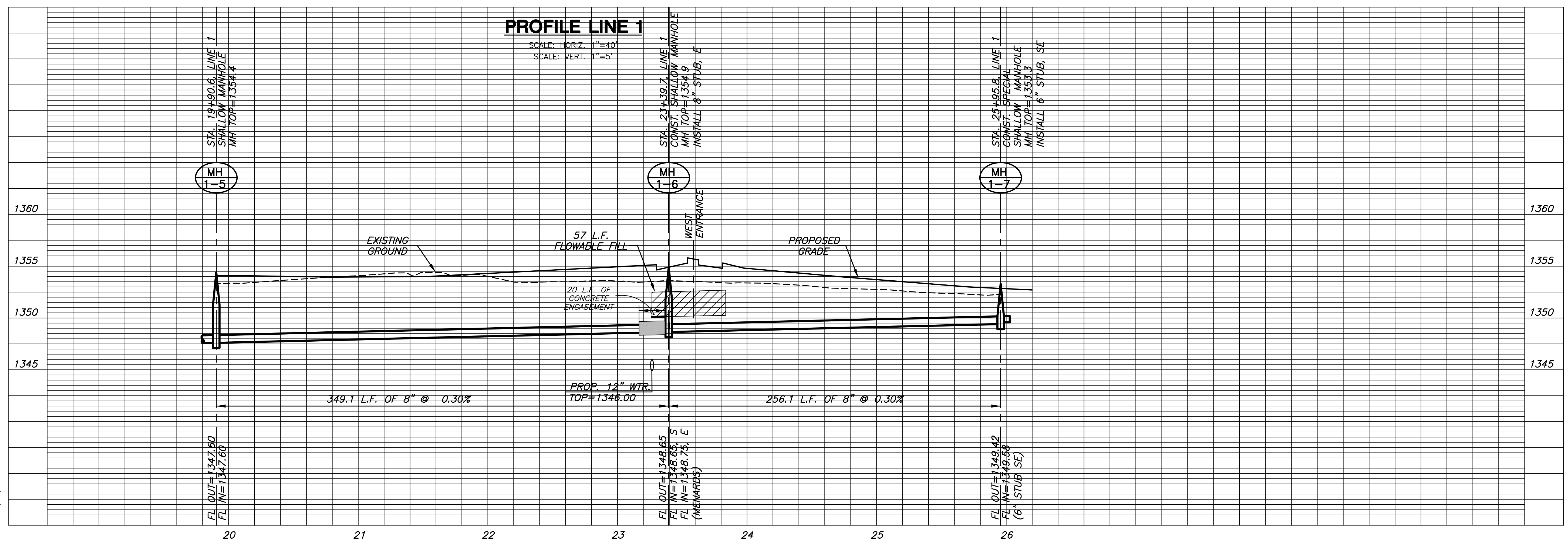
TYPICAL SANITARY SEWER ENCASEMENT DETAIL

NO SCALE



PLAN LINE 1

NOTE:
CONTRACTOR TO VERIFY THE DEPTH AND LOCATION OF
EXISTING UTILITIES PRIOR TO CONSTRUCTION.



PROFILE LINE 1

SCALE: HORIZ. 1"=40'
SCALE: VERT. 1"=5'