

Install Straw Bale Sediment Barrier per detail, Sheet 7.

Install Erosion Control Mat per detail, Sheet 2.

Remove & Replace Existing Light-stone Rip Rap as Necessary for Pond Construction (See Detail, This Sheet).

Install 362 L.F. Silt Fence Sediment Barrier per detail, Sheet 8.

Install Rip Rap along North & South bank of pond per Pond Detail, Sheet 3.

Install Rip Rap along North & South bank of pond per Pond Detail, Sheet 3.

Construct 313 L.F. Cut-off Trench & Berm. (See Detail, Sheet 3.)

Remove & Replace Existing Light-stone Rip Rap as Necessary for Pond Construction (See Detail, This Sheet).

Install Erosion Control Mat per detail, Sheet 2.

Construct 730 L.F. Cut-off Trench & Berm. (See Detail, Sheet 3.)

Install Straw Bale Barrier Area Inlet Sediment Barrier per detail, Sheet 7.

Install 730 L.F. Silt Fence Sediment Barrier per detail, Sheet 8.

Install 460 L.F. Silt Fence Sediment Barrier per detail, Sheet 8.

Install Straw Bale Ditch Check Sediment Barrier per detail, Sheet 7.

Install Straw Bale Barrier Area Inlet Sediment Barrier per detail, Sheet 7.

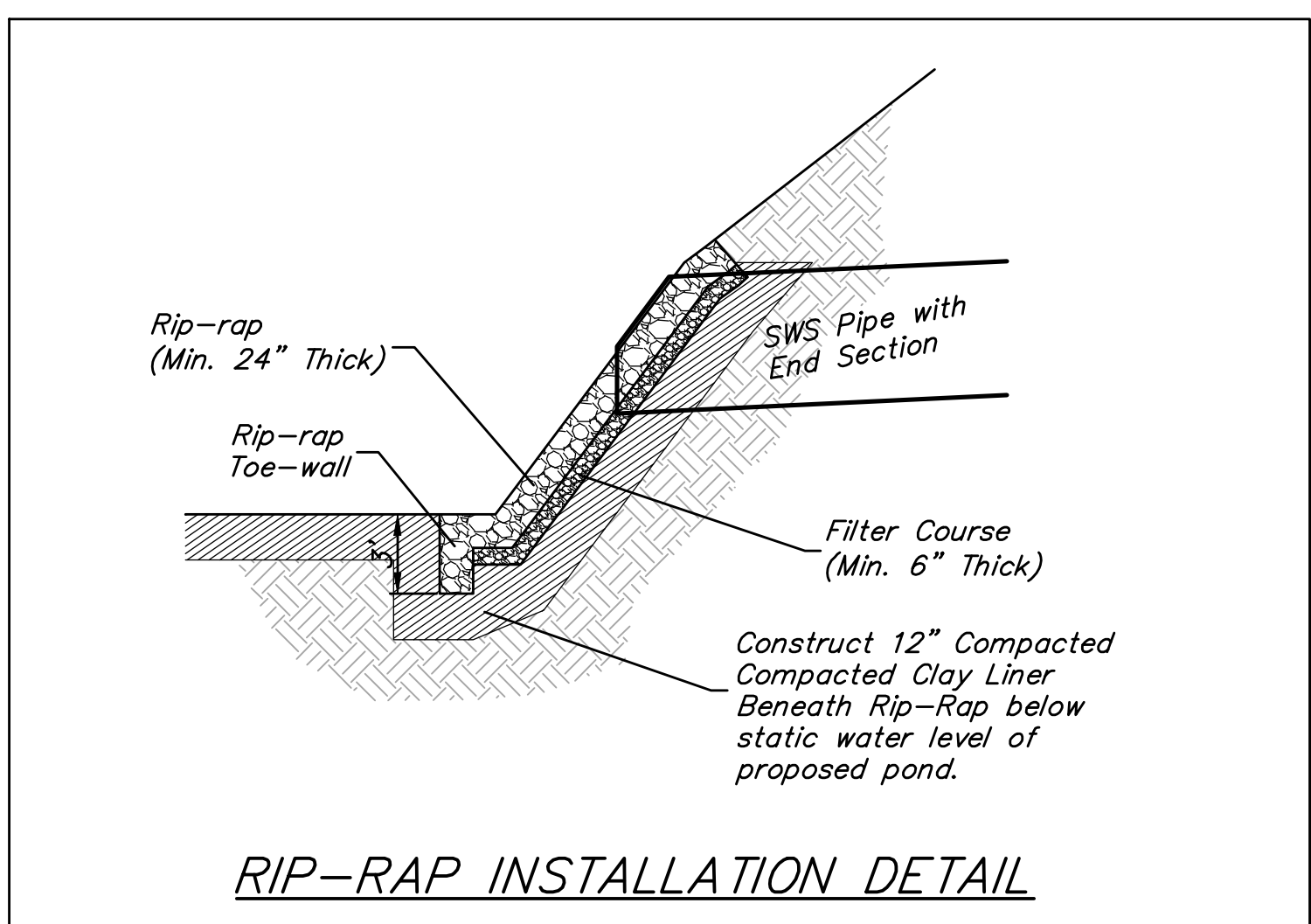
Contractor to Install one Construction Entrance onto Existing Paved Roadway, per Detail Sheet 9.

NOTE: ONLY BIODEGRADABLE EROSION CONTROL MAT SHALL BE USED ON THIS PROJECT

EROSION CONTROL PLAN LEGEND

- DROP INLET PROTECTION
- DITCH CHECKS
- SILT FENCING
- CUT-OFF TRENCH & BERM
- EROSION CONTROL MAT
- TEMPORARY DITCH

NO SCALE



Baughman Engineering | Surveying | Planning | Landscape Architecture

Silverton Addition - Phase IV
EROSION CONTROL PLAN
 Storm Water Drain #368

PROJECT NUMBER: 468-84681
 DESIGN: NHJ/JAK
 DRAWN: JAK

REVISIONS:

APPROVED: [Signature]
 DATE: 9/08/10

SCALE: 1" = 80'
 SHEET: **5 OF 15**

E:\Projects\Silverton\Engineering\Phase 4\SWD_09-04-E289_05_EC PLAN.dwg