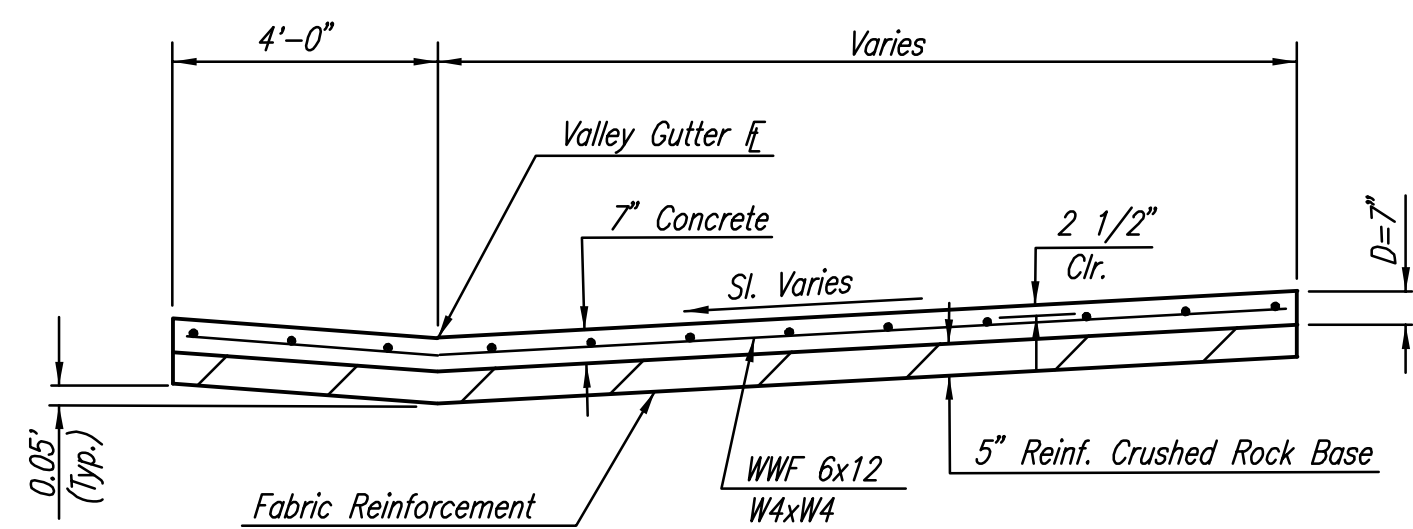
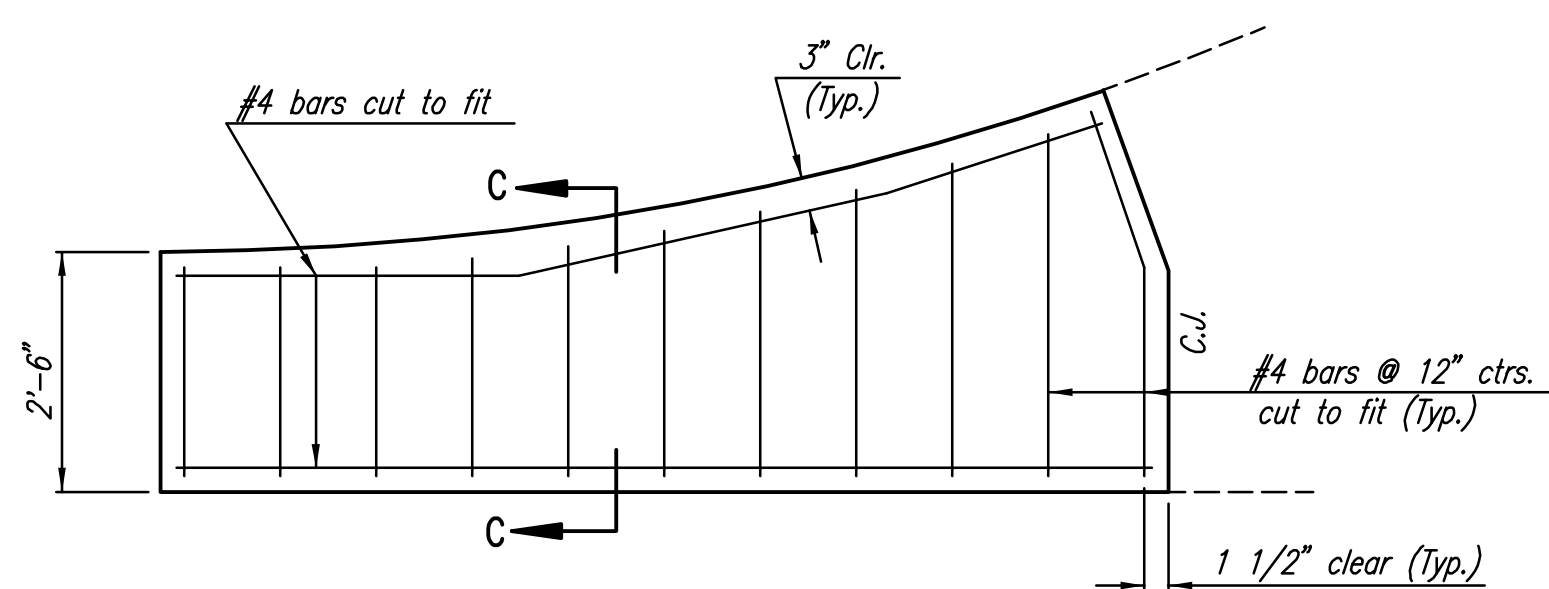


PLAN  
REINFORCED VALLEY GUTTER



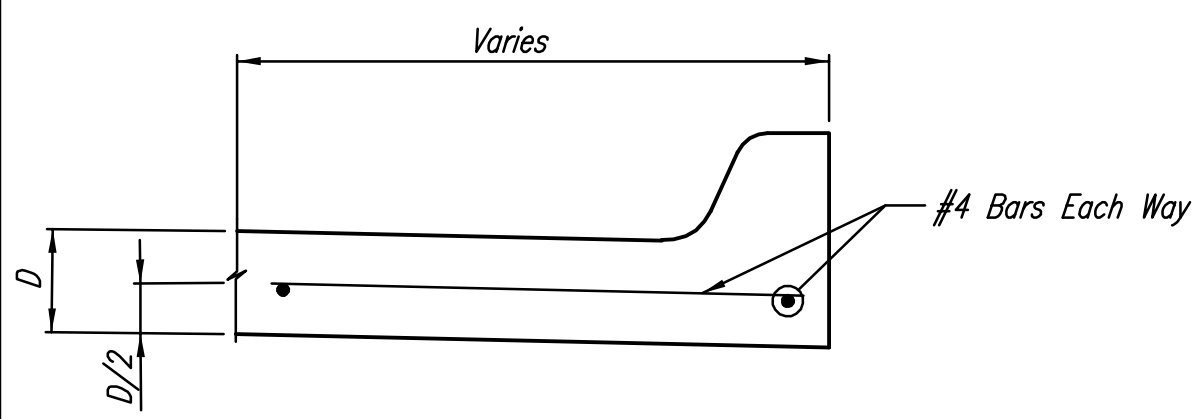
SECTION A-A

NOTE: OMIT REINFORCING MESH AT ALL JOINTS  
NOTE: ALL CONCRETE VALLEY GUTTER REINFORCEMENT SHALL BE ADEQUATELY SUPPORTED BY BAR CHAIRS IN THE REQUIRED POSITION UNLESS APPROVED OTHERWISE BY THE ENGINEER.

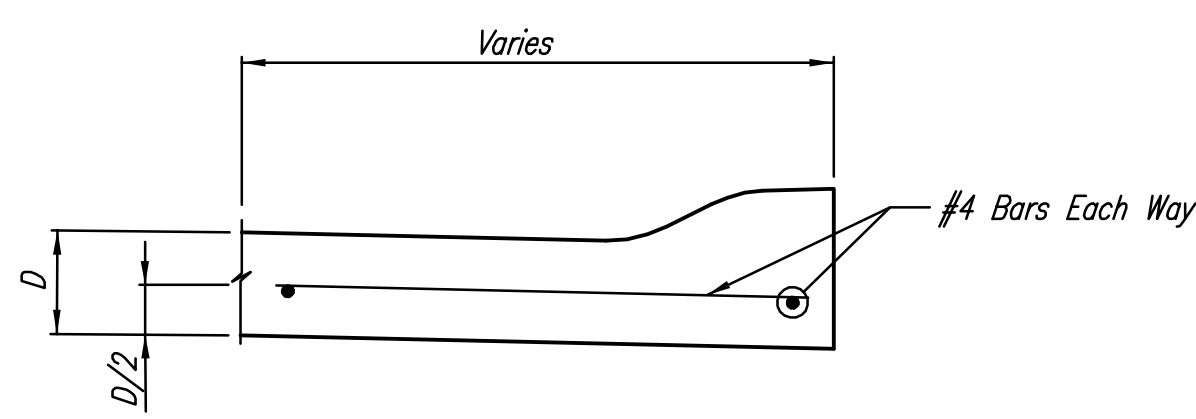


WING REINFORCING DETAIL

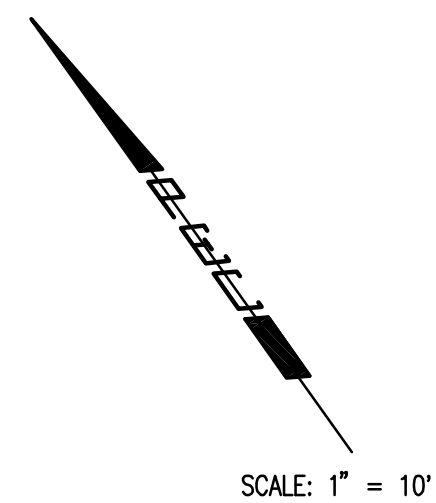
NOTE: OMIT WIRE FABRIC REINFORCING IN THIS SECTION.



SECTION C-C

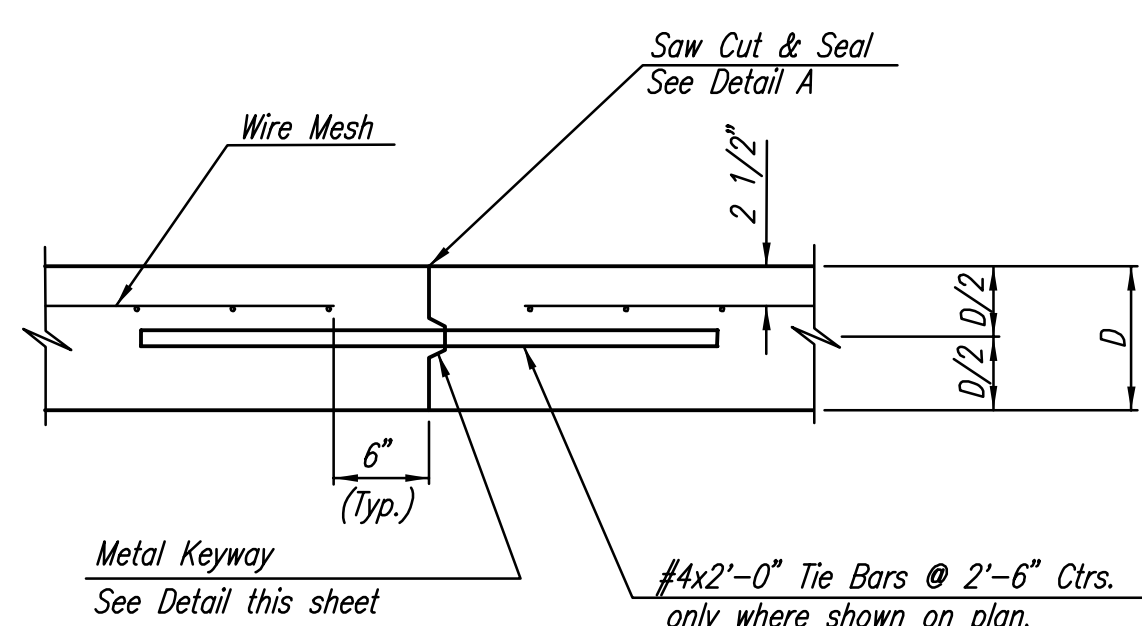


SECTION C-C  
(ROLL-TYPE CURB)

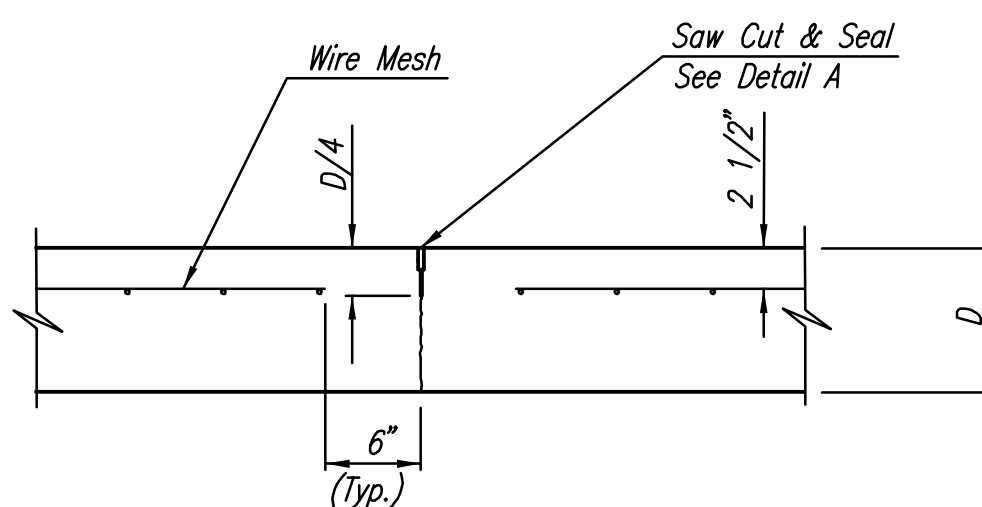


SCALE: 1" = 10'

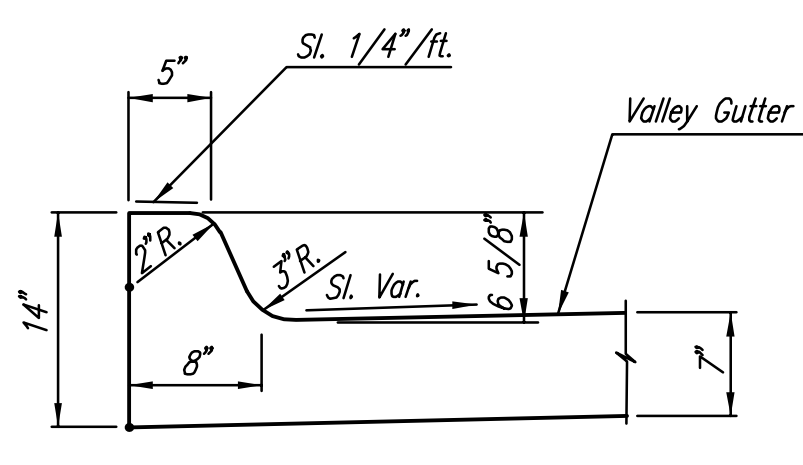
6" x 12" W4xW4 WIRE FABRIC REINFORCING SHALL BE PLACED SUCH THAT THE WIRES WITH THE 6" SPACING WILL RUN PARALLEL WITH THE LONGITUDINAL JOINT.



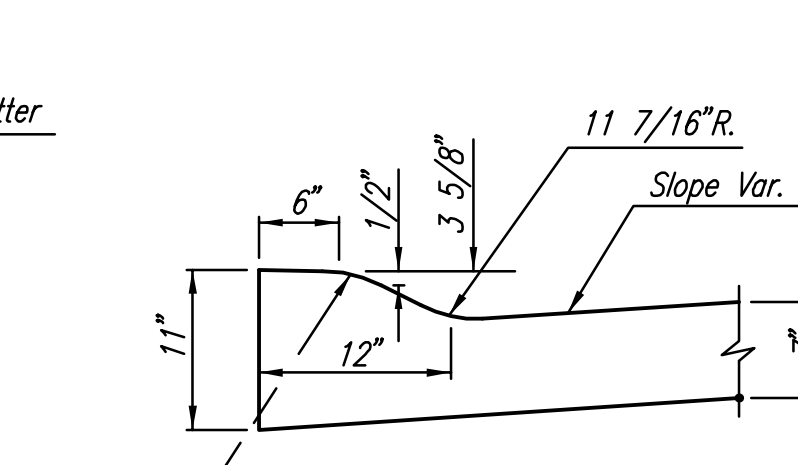
LONGITUDINAL CONSTRUCTION JOINT DETAIL  
REINFORCED PAVEMENT  
(TRANSVERSE SECTION)  
(ALTERNATE L.J.)



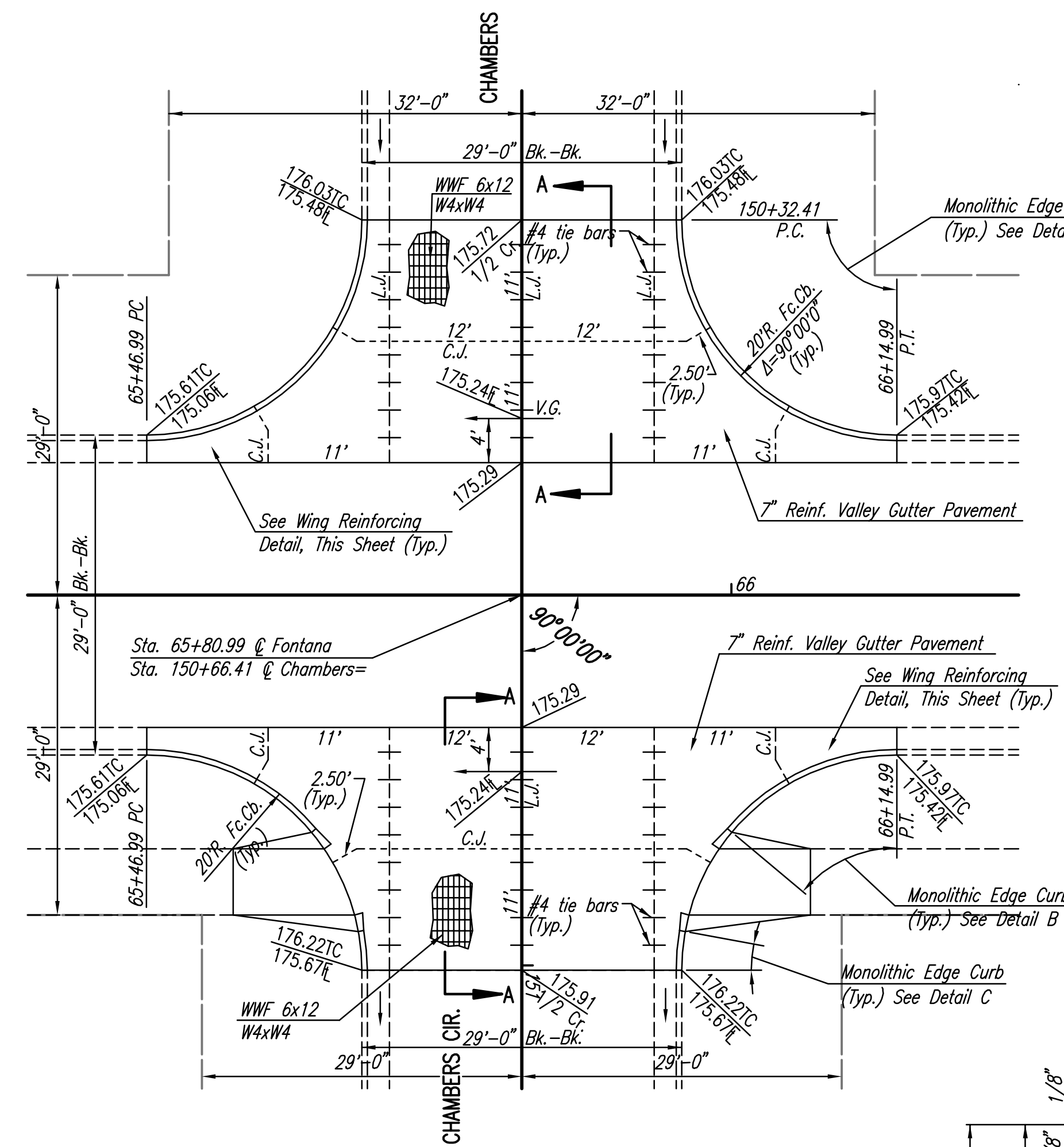
CONTRACTION JOINT DETAIL  
REINFORCED PAVEMENT  
(C.J.)



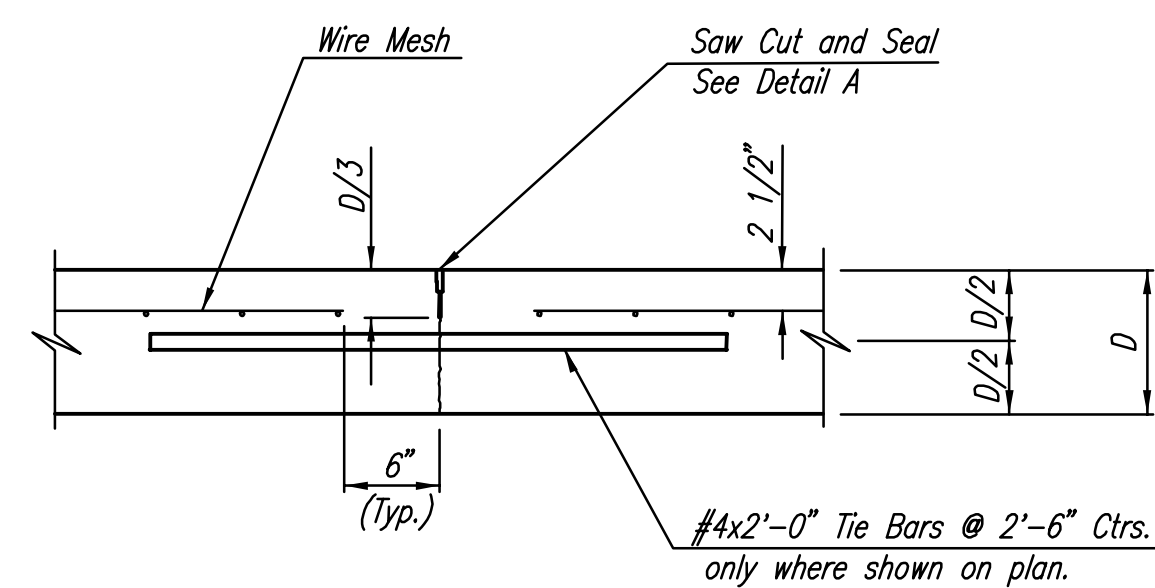
DETAIL B



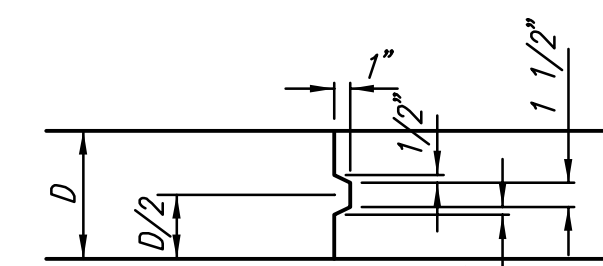
DETAIL C  
(ROLL-TYPE CURB)



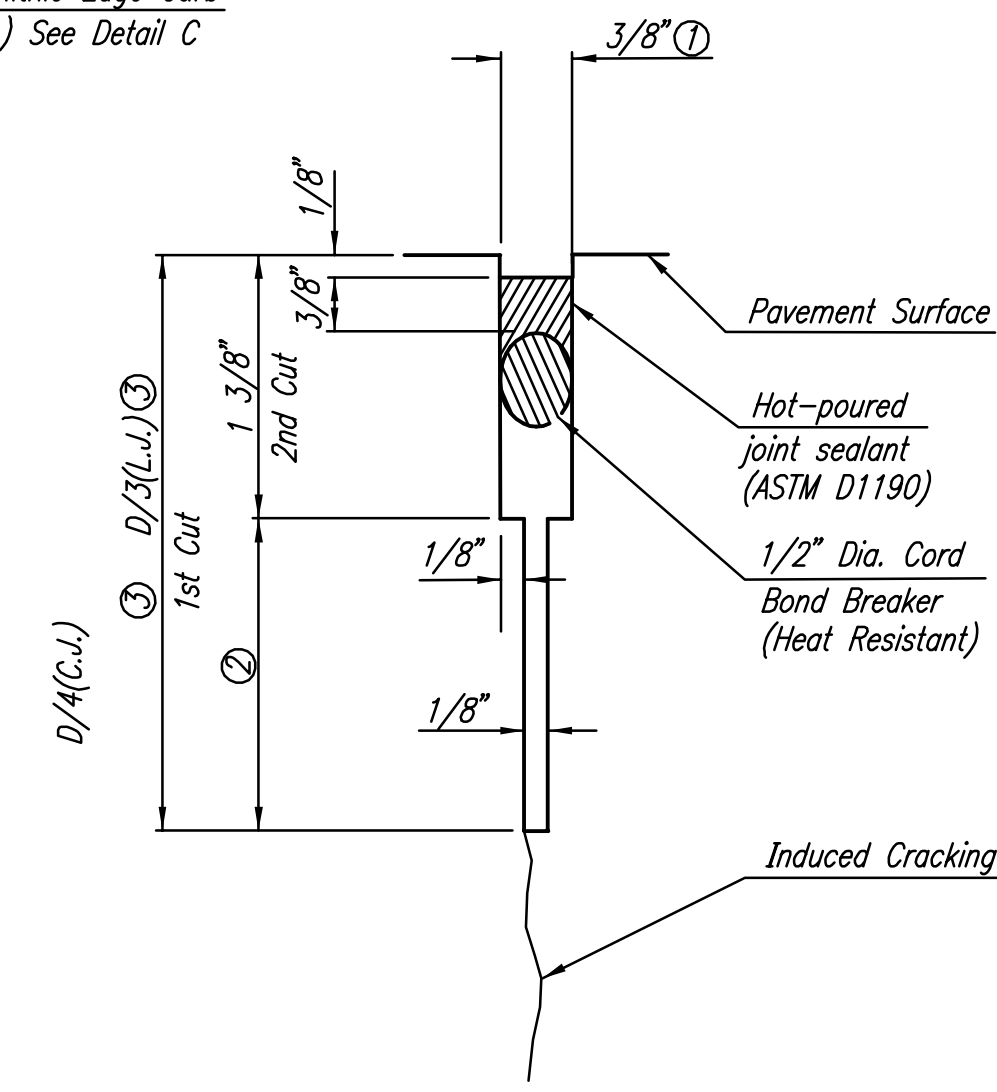
PLAN  
REINFORCED VALLEY GUTTER



LONGITUDINAL JOINT DETAIL  
REINFORCED PAVEMENT  
(TRANSVERSE SECTION)  
(L.J.)



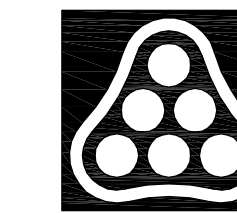
KEYWAY DETAIL



DETAIL A

- ① To be accomplished in 2 cuts for Longitudinal Joints and Contraction Joints. Initial cut to be 1/8" wide.
- ② Eliminate bottom of cut when metal keyway is used as part of Longitudinal or Transverse Construction Joint and at Doweled Construction Joint Locations.
- ③ 1 1/2" Minimum

Sowed 11-09-2010 1:24:28 PM by BJS  
 Plot Scale 1:10 11-09-2010 1:24:53 PM by BILL J. SEKSON  
 G:\2009\08389\000\08389-000-C-VALGUT.PLAN



|  |          |         |                |
|--|----------|---------|----------------|
| No.  | Revision | By      | Date           |
| FONTANA 4TH ADDITION-PHASE 1   |          |         |                |
| <b>VALLEY GUTTER PLAN</b>  |          |         |                |
| JAMES L. ARMOUR, P.E. - CITY ENGINEER<br>CITY OF WICHITA PROJ. NO. 472-84800<br><b>Professional Engineering Consultants, P.A.</b><br>303 S. TOPKA • WICHITA, KANSAS 67202<br>316-262-2691 • FAX 316-262-3003 |          |         |                |
| Designed by  | BMM      | Job No. | 35-08389-000   |
| Drawn by   | BJS      | Date    | July 2008      |
|  |          |         | Sheet 16 of 50 |