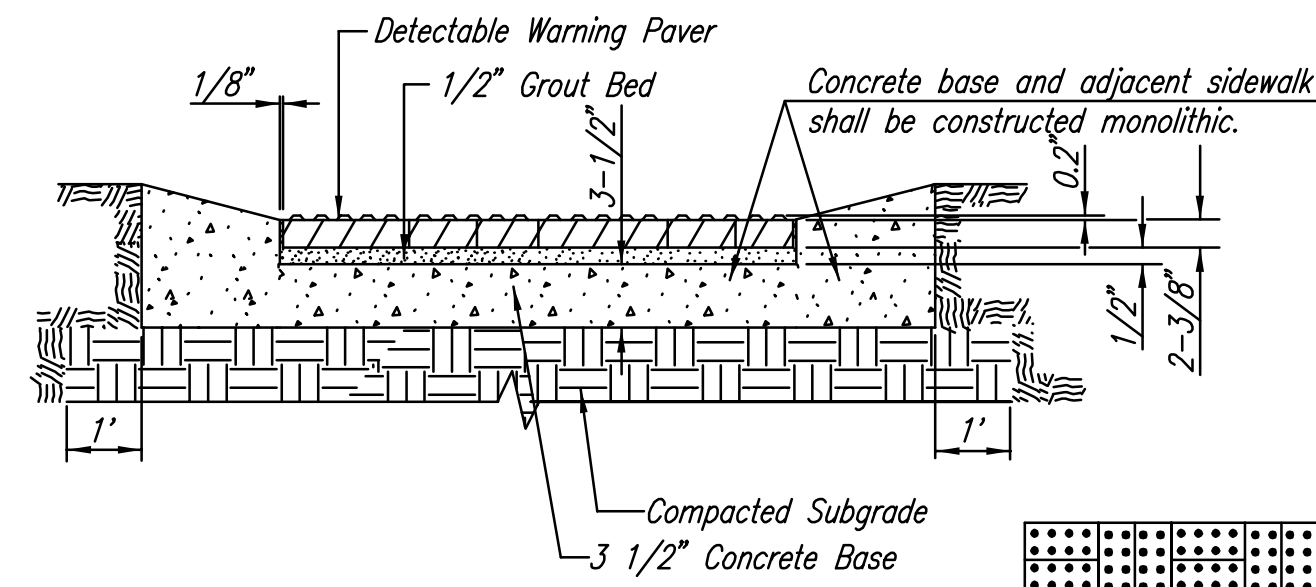


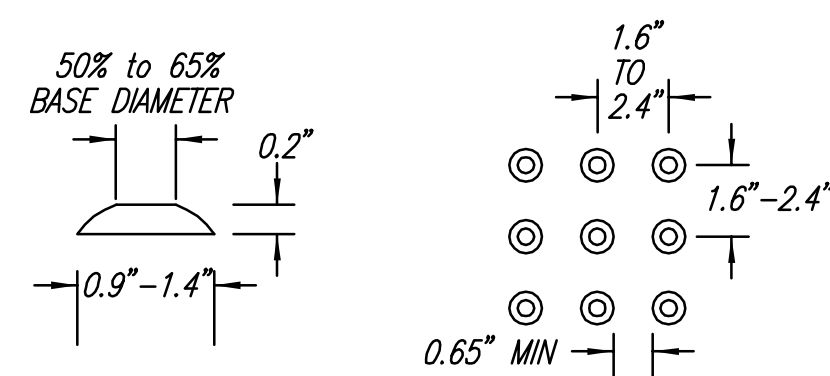
(TYPE A)  
STANDARD WHEELCHAIR RAMP  
WITH DETECTABLE WARNING  
CONSTRUCTION DETAIL FOR STREETS  
WITH COMBINED CURB & GUTTER



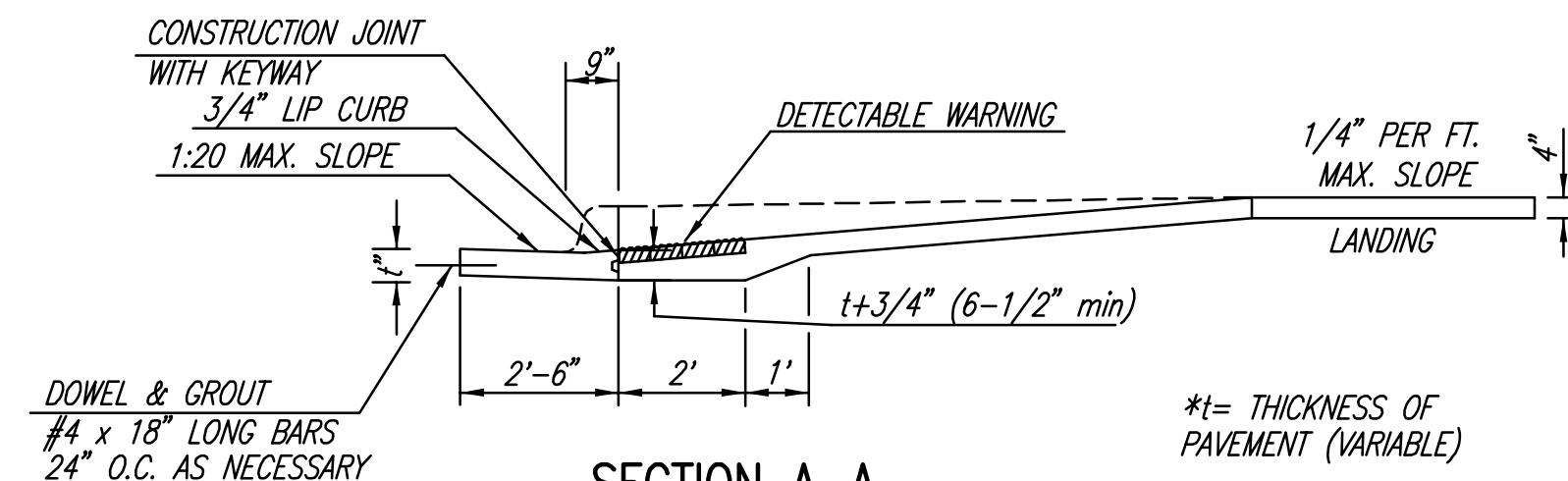
TYPICAL SECTION DETECTABLE WARNING PAVER

NOTE: RAMPS TO COMPLY WITH LATEST ADAAG GUIDELINES. PAVESTONE DETECTABLE WARNING PAVERS (OR AN APPROVED EQUAL) SHALL BE USED IN ALL WHEELCHAIR RAMPS. THE RED PAVER SHALL BE INSTALLED USING A BASKET WEAVE/PARQUET PATTERN. OTHER PATTERNS MAY BE USED WITH APPROVAL OF ENGINEER. SAND FILL JOINTS. ALIGN DOMES IN THE DIRECTION OF PEDESTRIAN TRAVEL.

SECTION B-B



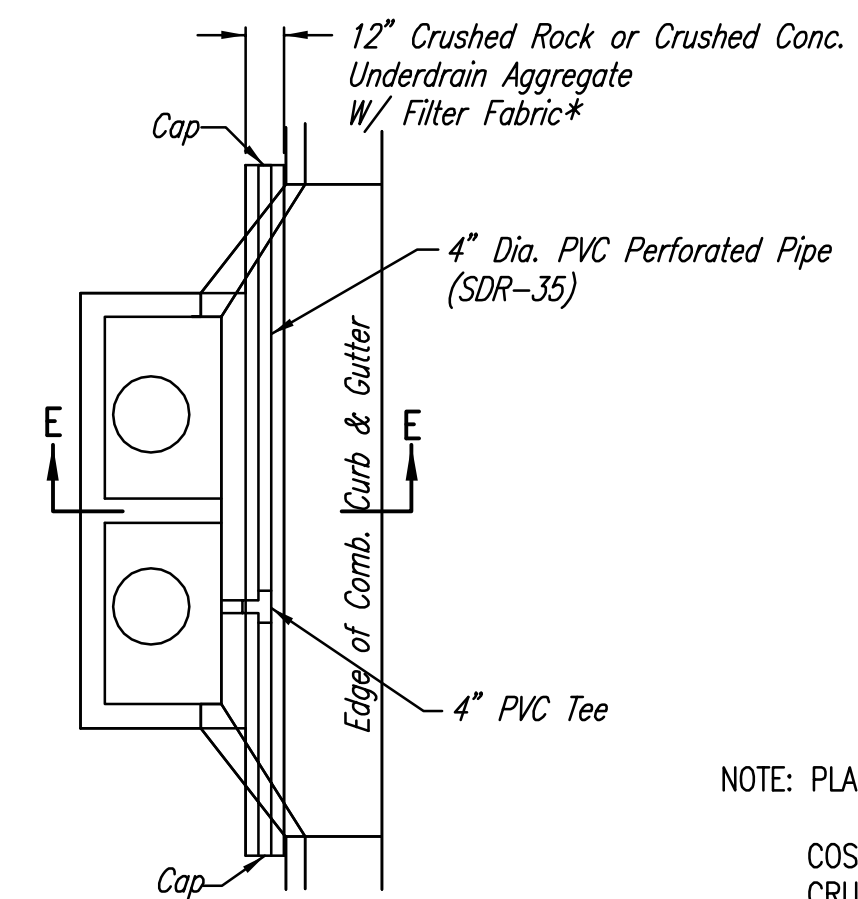
DOMES DETAIL



SECTION A-A

TYPICAL WHEELCHAIR RAMP DETAILS

AUGUST 4, 2003



PLAN

\* UNDERDRAIN AGGREGATE  
PERCENT OF AGGREGATE RETAINED

2-1/2"	0
3/4"	20-60
#4	50-80
#40	80-94
#200	90-98

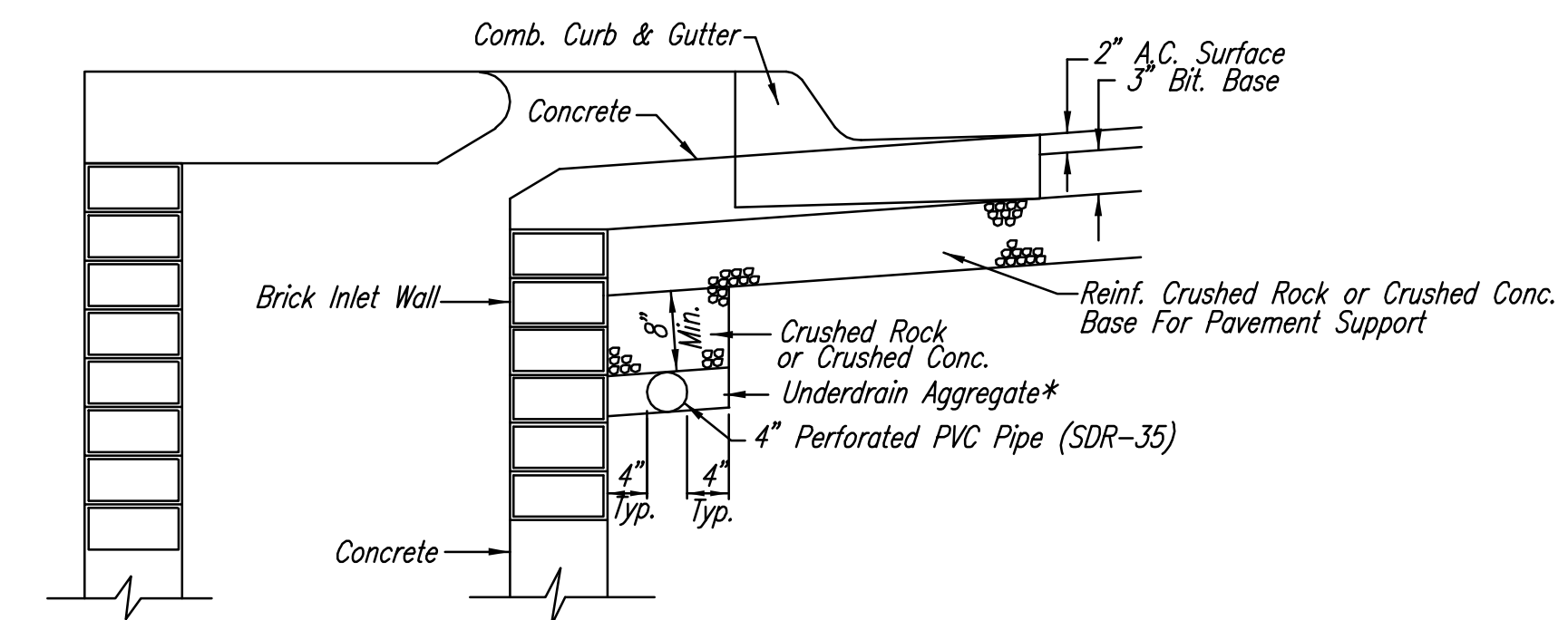
ROCK QUALITY SHALL CONFORM TO THE REQUIREMENTS SPECIFIED BY THE KDOT 2007 EDITION STANDARD SPECIFICATION SUBSECTION 1102 FOR DURABILITY CLASS I

PAVEMENT UNDERDRAIN LOCATIONS		
STREET	STATION	SIDE
FONTANA	59+65.00	LT. & RT.
CHAMBERS	139+49.32	LT. & RT.

NOTE: PLACE 4" PVC PERFORATED PIPE AT ALL DRAINAGE SUMP LOCATIONS.

COST OF UNDERDRAIN SYSTEM TO BE INCIDENTAL TO THE REINFORCED CRUSHED ROCK OR REINFORCED CRUSHED CONCRETE BASE.

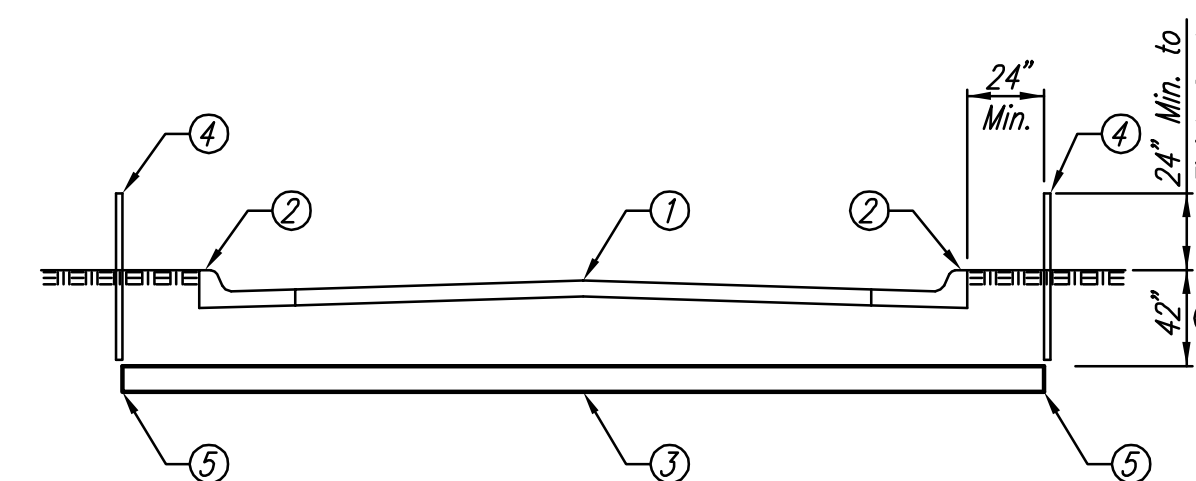
INLET TYPE MAY VARY FROM THAT SHOWN.



SECTION E-E

PAVEMENT UNDERDRAIN DETAIL

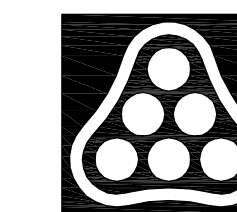
Min. 16 Perforations Per Lin. Ft. @ 1/4" Dia.  
Perforations To Be on Bottom Half



CLASS SDR 21 SLEEVES

Payment for "PVC Sleeves" Shall be Per Each, Regardless of Length, and Shall Include Items 2 thru 5 Listed Below.

- ① Pavement/Street
- ② Permanent Mark on Top of Curb, Stamped in Wet Concrete—"x" or "s"
- ③ 8" Class SDR 21 Sleeve Extended 2' Past Back of Curbs. Sleeves Shall be Bedded and Backfilled in Accordance with City of Wichita Specifications for Flexible Sanitary/Storm Sewer Pipe.
- ④ Temporary T-Post Marker, Until Permanent Benchmark is Made in Concrete (2 Total)
- ⑤ 8" PVC Caps-Not Glued (2 Total)
- ⑥ Adjust Depth Where Necessary to Avoid Other Utilities.



No.	Revision	By	Date
FONTANA 4TH ADDITION-PHASE 1			
<b>MISCELLANEOUS PAVING DETAILS</b>			
JAMES L. ARMOUR, P.E.- CITY ENGINEER CITY OF WICHITA PROJ. NO. 472-84800 <b>Professional Engineering Consultants, P.A.</b> 303 S. TOPEKA • WICHITA, KANSAS 67202 316-262-2691 • FAX 316-262-3003			
Designed by	BMM	Job No.	35-08389-000
Drawn by	BJS	Date	July 2008
			Sheet 17 of 50