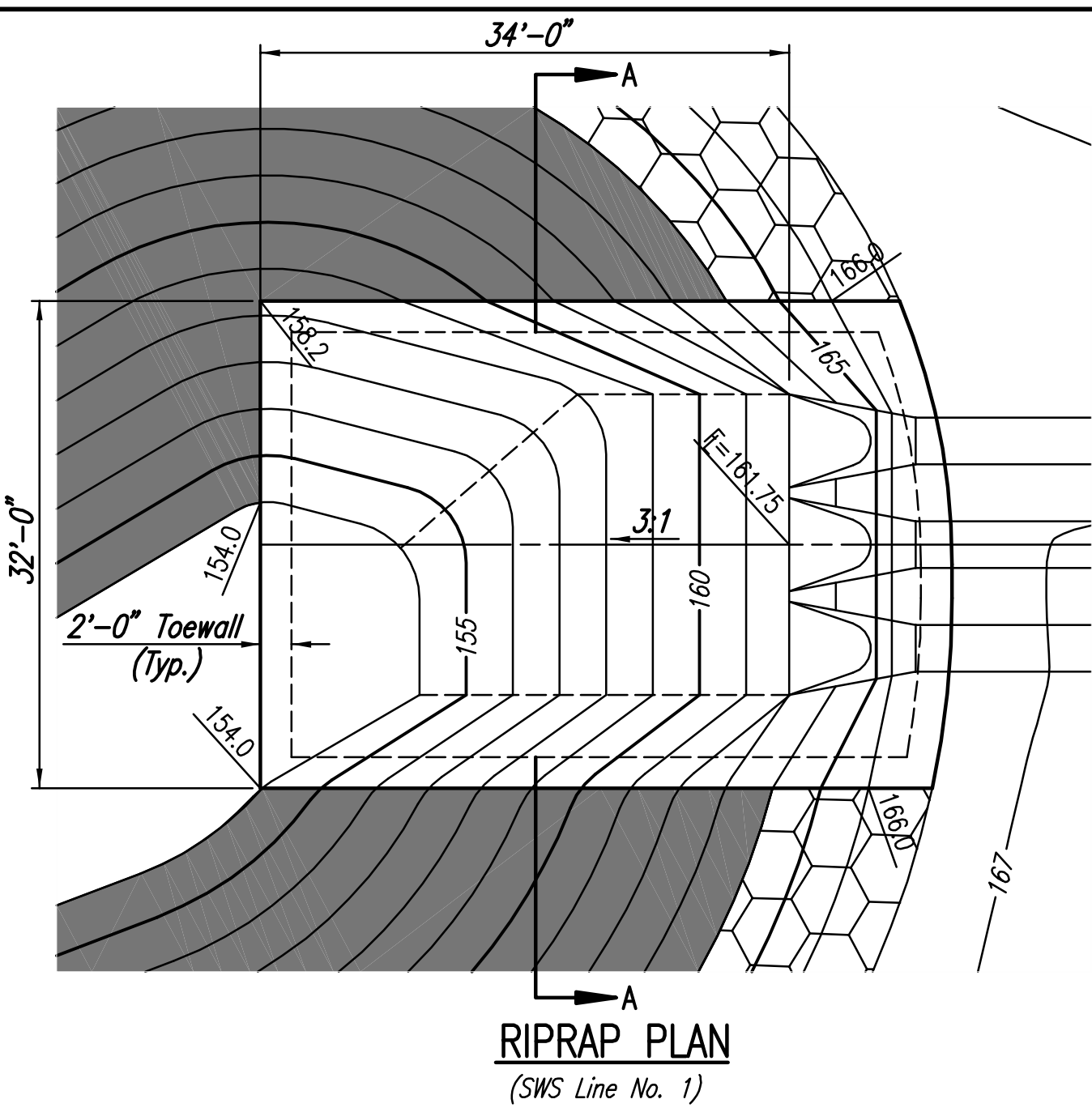


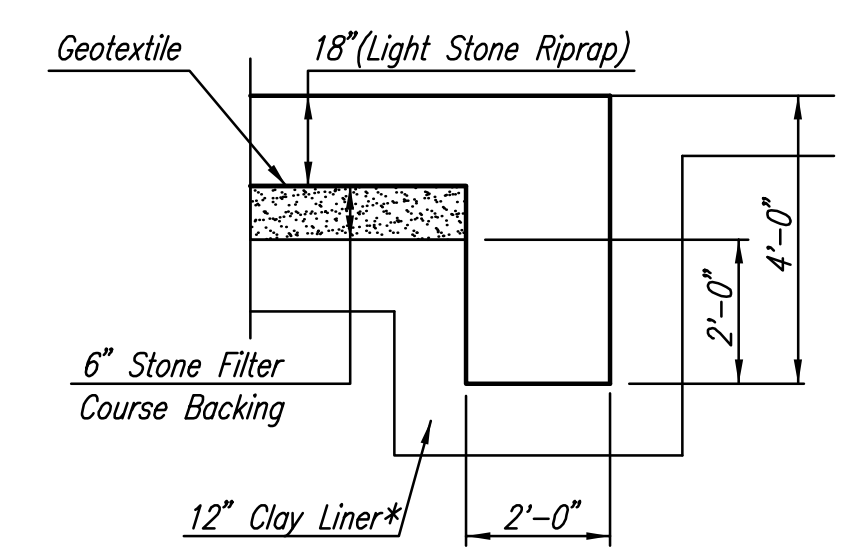
PLAN
 CHECKED
 CHECKED
 BY
 DATE

PROFILE
 CHECKED
 CHECKED
 BY
 DATE

Saved: 11-12-2010 11:16:06 AM by: BUS
 Plot Scale: 1:20 11-12-2010 3:08:17 PM by: BILL J. SECKSON
 G:\2009\08389\003\08389-003-C-SWSLINE 1



RIPRAP PLAN
 (SWS Line No. 1)



TYPICAL SECTION THRU TOEWALL
 NO SCALE

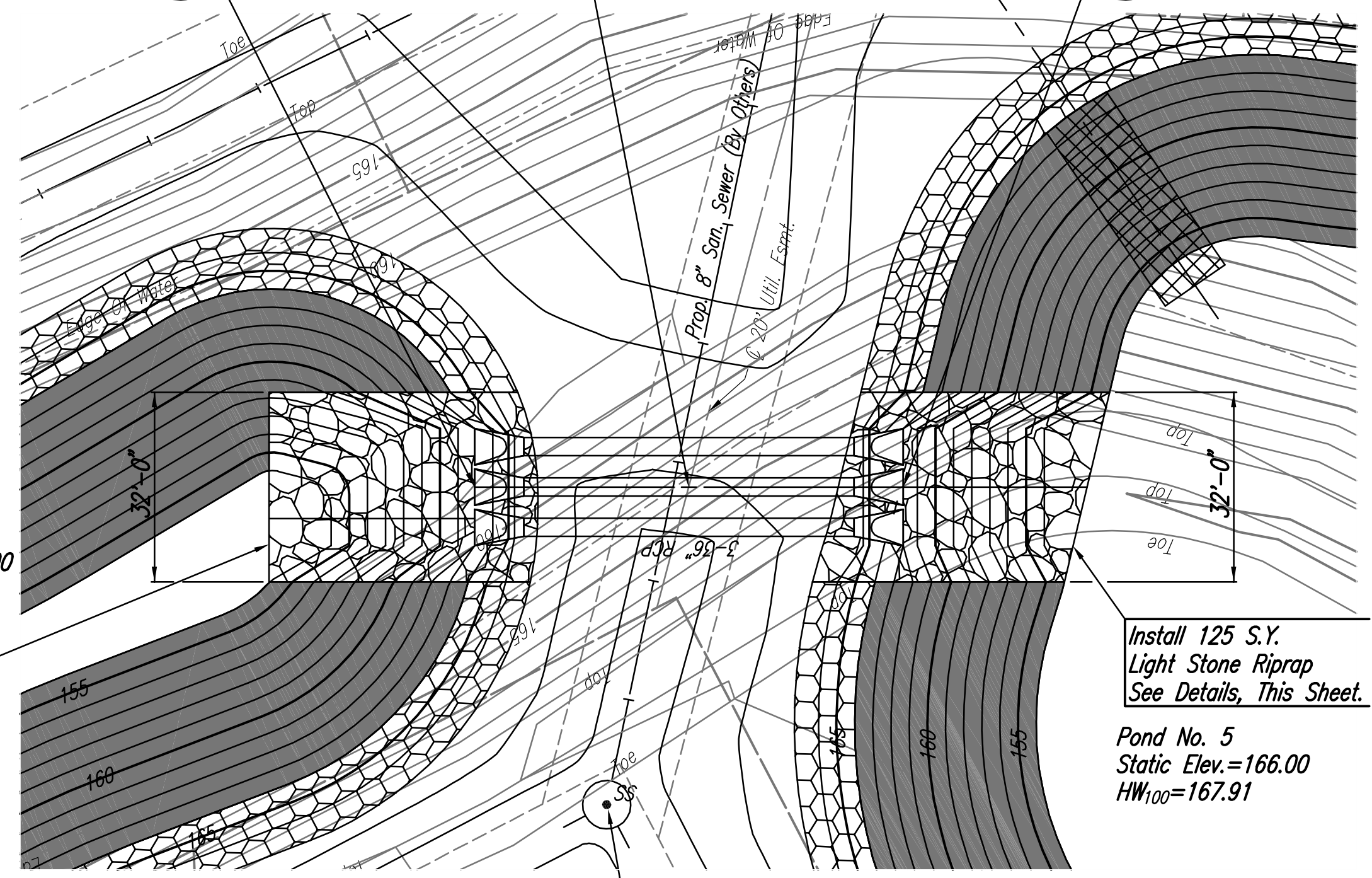
- NOTES**
1. ALL RIPRAP FOR THIS PROJECT SHALL BE NATURAL STONE. NEITHER BROKEN CONCRETE, FABRIC ENVELOPE, NOR PREMIXED DRY PACKAGED CONCRETE BAG ALTERNATES WILL BE ALLOWED.
 2. TOEWALLS SHALL BE INSTALLED ALONG ALL EDGES OF STONE RIPRAP OR AS SHOWN ON PLANS.
 3. GROUTING OF THE SURFACE OF THE RIPRAP SHALL NOT BE PERFORMED. GROUTING OF THE TOEWALLS SHALL BE PERFORMED PER SPECIFICATIONS.

Install 132 S.Y.
 Light Stone Riprap
 See Details, This Sheet.

Sta. 9+64.6 SWS Line No. 1
 Begin 3-36" RCP Construction
 Install 3-70.9 L.F. 36" RCP (SW)
 (Including 3-36" RC End Sections)φ

Sta. 10+00.0=
 @ 20" Util. Esmt.

Sta. 10+35.5 SWS Line No. 1
 End 3-36" RCP Construction
 (Install 3-36" RC End Sections)φ



Pond No. 4
 Static Elev.=166.00
 HW₁₀₀=167.91

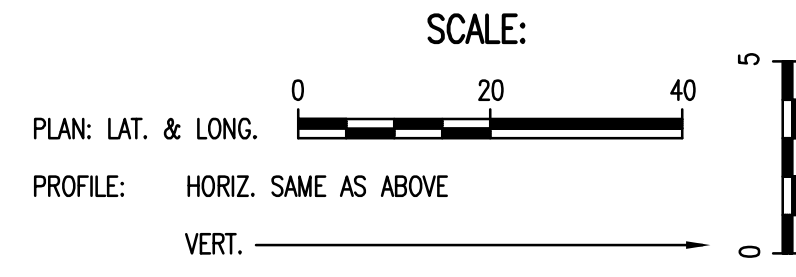
Install 125 S.Y.
 Light Stone Riprap
 See Details, This Sheet.

Pond No. 5
 Static Elev.=166.00
 HW₁₀₀=167.91

* THE TRENCH ZONE INDICATED SHALL BE BACKFILLED ENTIRELY WITH CLAY MATERIAL MEETING THE SAME REQUIREMENTS AS POND LINING. NO GRANULAR BACKFILL WILL BE ALLOWED IN THIS AREA, EXCEPT THAT THE TOP 4" OF BACKFILL SHALL BE ON-SITE TOPSOIL. ANY COSTS ASSOCIATED WITH THIS WORK SHALL BE SUBSIDIARY TO THE PRICE BID FOR 36" RCP.

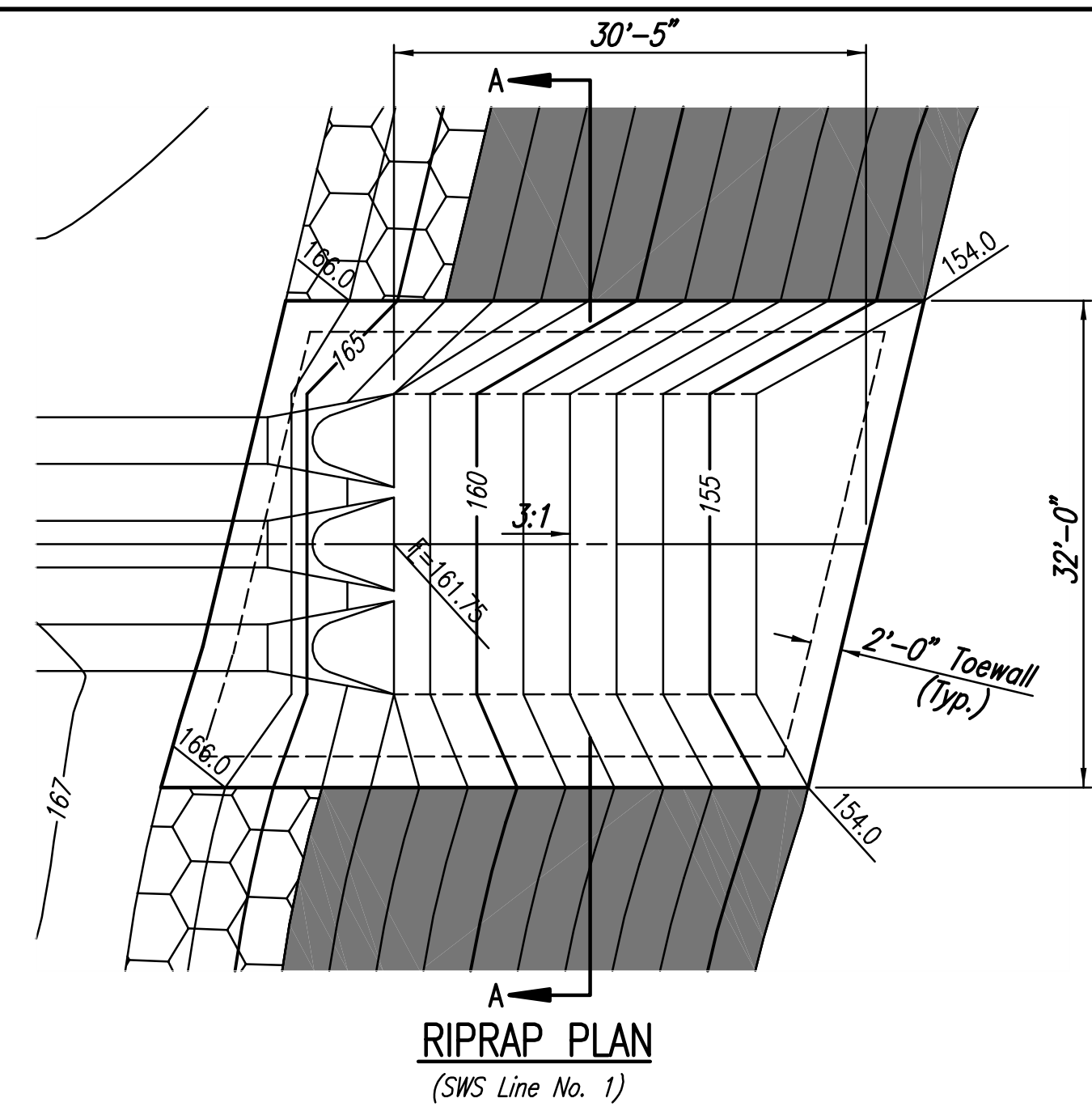
Prop. SS MH
 Top Elev.=169.3
 I In=158.65 (N&W)(Stub)
 I Out=158.45 (SE)

φ RESTRAIN THE LAST SECTION OF PIPE AND END SECTION. ANY COSTS ASSOCIATED WITH THIS WORK SHALL BE SUBSIDIARY TO THE PRICE BID FOR 36" RCP.

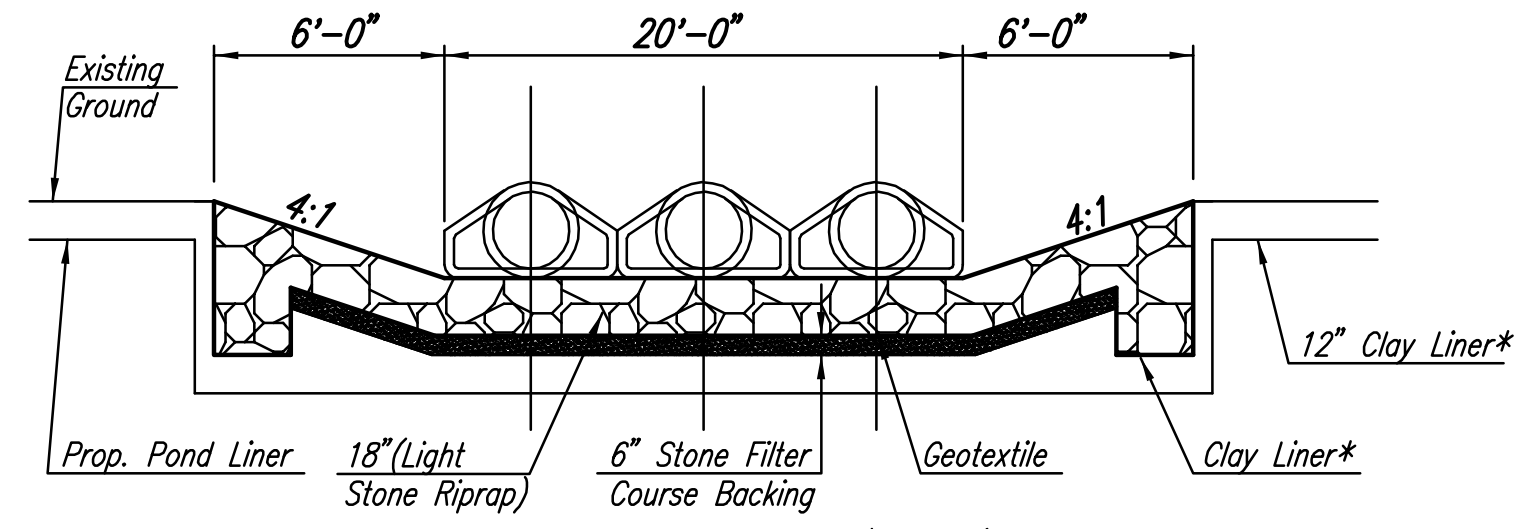


COORDINATE LIST		
POINT	NORTH	EAST
6099	27,336.3202	15,746.4590
6100	27,305.0866	15,729.8048
6101	27,273.7965	15,713.1204

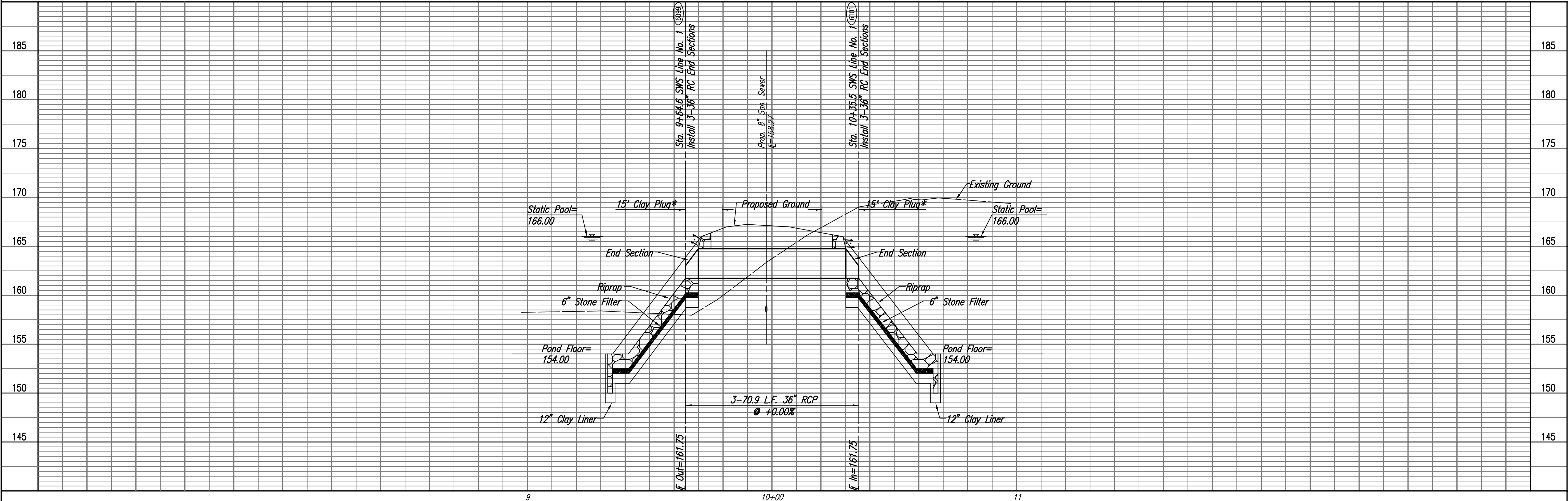
6099 = COORDINATE POINT NO.
 SEE SHEET NO. 4 FOR PLAT COORDINATES



RIPRAP PLAN
 (SWS Line No. 1)



SECTION A-A
 * Clay Liner Shall Meet the Same Requirements as Pond Lining.



Fontana 4th Addition-Phase 1
 Storm Water Drain No. 282

SWS LINE NO. 1

Professional Engineering Consultants, P.A.
 309 S. TOPEKA, WICHITA, KANSAS 67202
 316-262-2091 • FAX 316-262-3003

Designed By: BMM
 Drawn By: BUS

Job No. 35-08389-003
 Date: July 2008

JAMES L. ARMOUR, P.E. - CITY ENGINEER
 CITY OF WICHITA PROJ. NO. 468-84171

Sheet 11 of 29