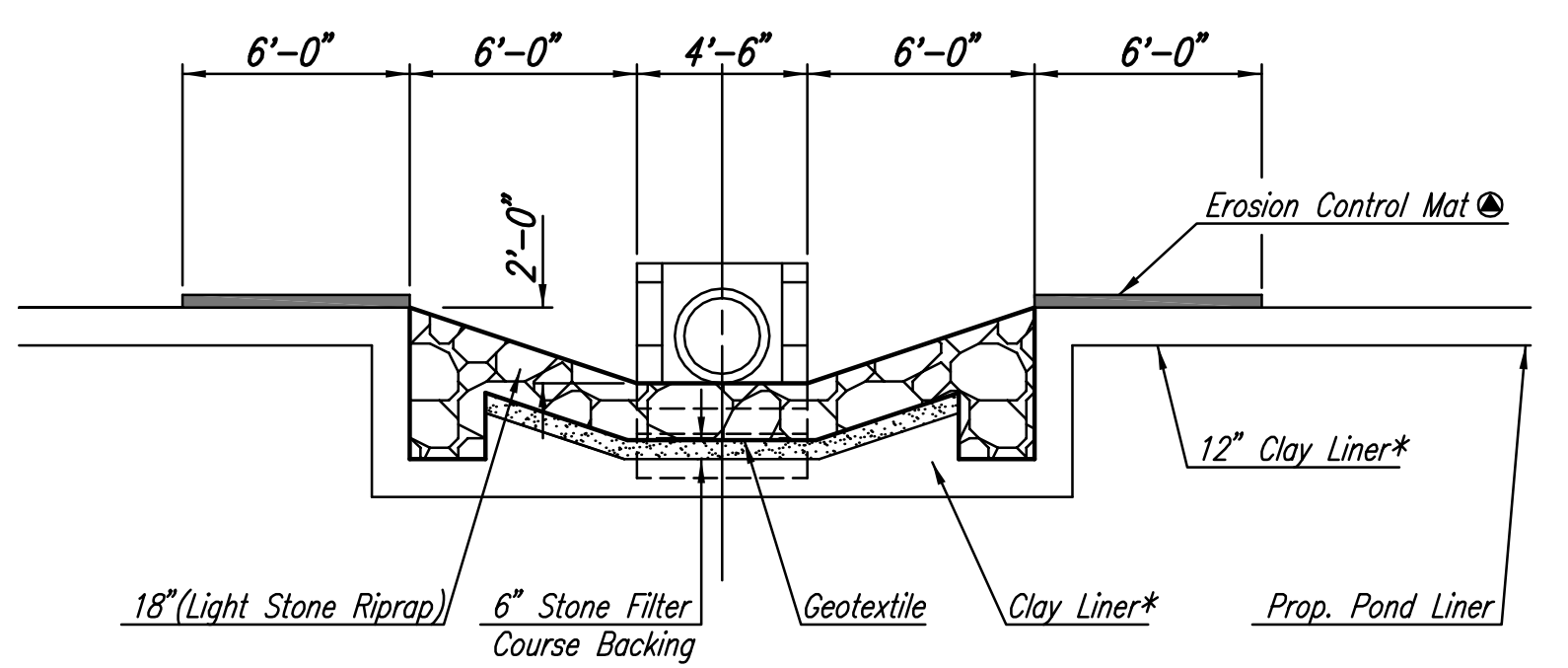


Pond No. 6
Static Elev.=168.00
HW₁₀₀=170.73

RIPRAP PLAN
(SWS Line No. 1)

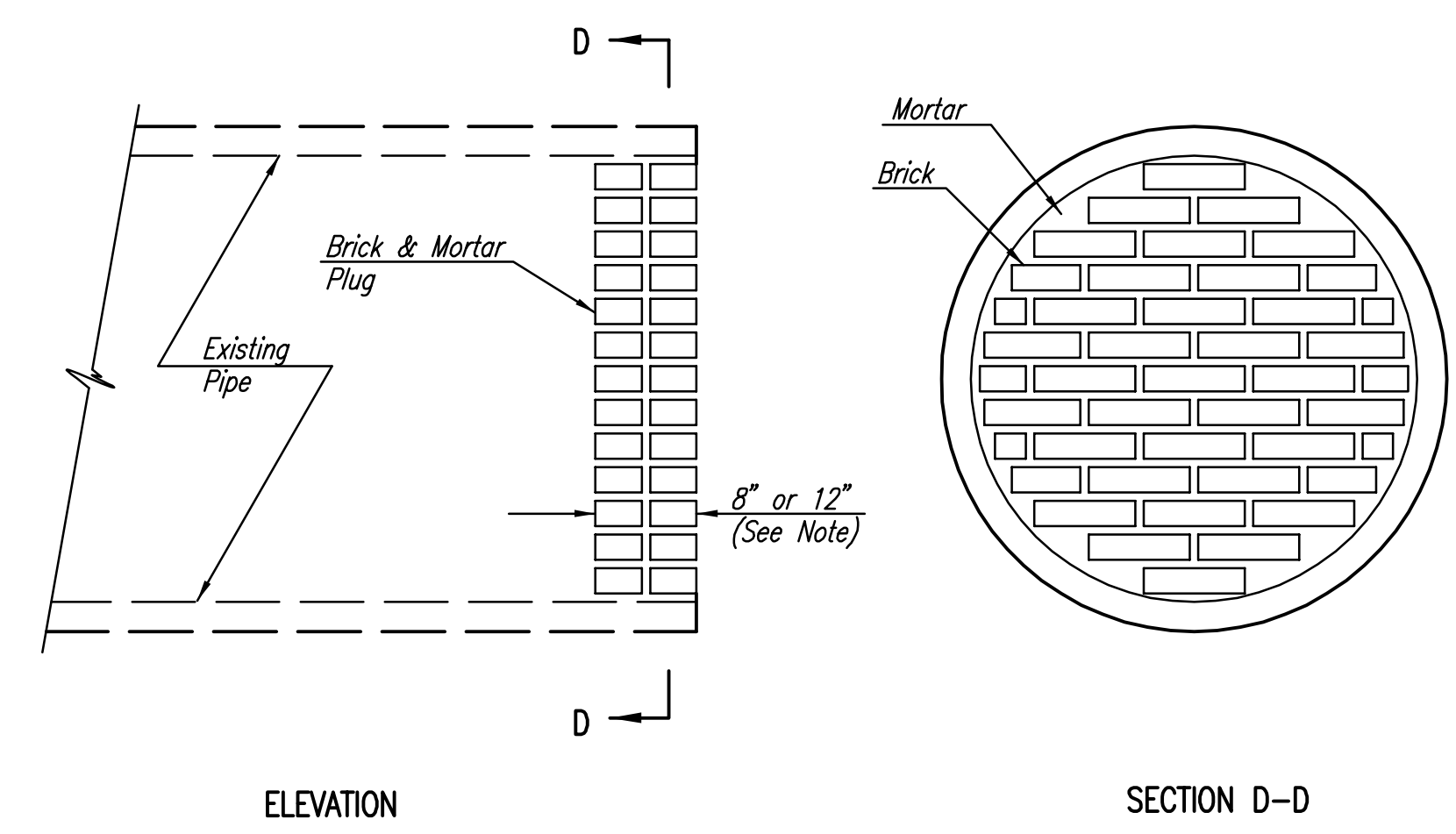


SECTION A-A
(SWS Line No. 1)

▲ EROSION CONTROL MAT SHALL BE LANDLOK TRM 450, NORTH AMERICAN GREEN C350 OR EQUIVALENT. INSTALLED PER MANUFACTURER'S RECOMMENDATIONS.

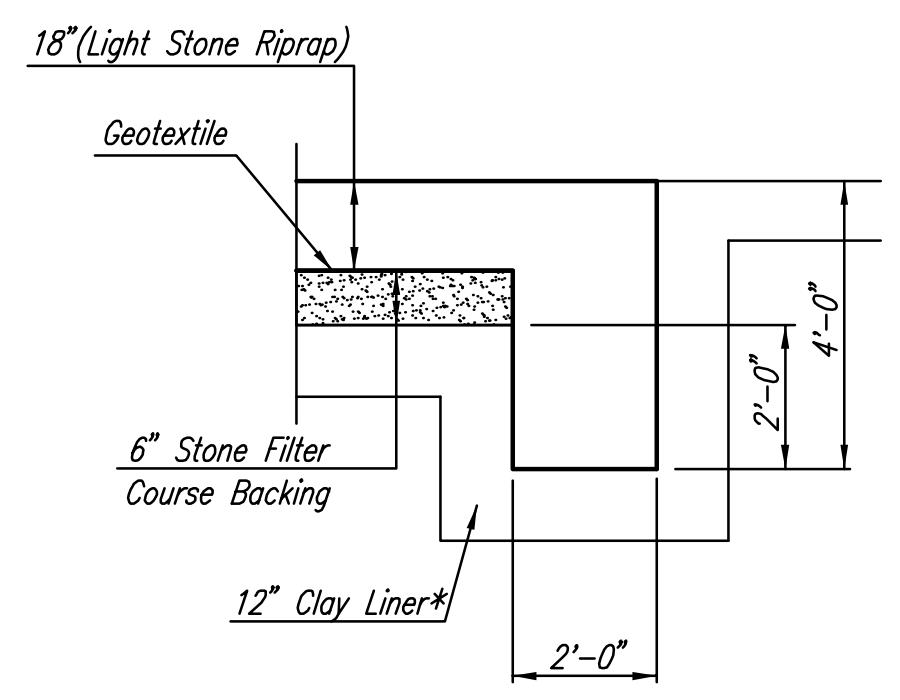
PAID FOR AS S.Y. "EROSION CONTROL MAT" AS INDICATED IN PLANS. THE BID PRICE SHALL BE CONSIDERED FULL COMPENSATION FOR ALL MATERIALS, LABOR, EQUIPMENT, TOOLS, AND INCIDENTALS NECESSARY TO COMPLETE THE WORK.

* CLAY LINER SHALL MEET THE SAME REQUIREMENTS AS POND LINING.



PIPE PLUGGING DETAIL

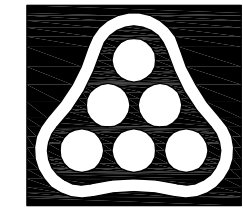
NOTE: PIPE PLUGS SHALL BE CONSTRUCTED OF BRICK MASONRY, WITH CONSTRUCTION REQUIREMENTS AND MATERIALS CONFORMING TO THE SAME REQUIREMENTS AS SPECIFIED FOR MANHOLE CONSTRUCTION ON SH. NO. 12. PIPES HAVING DIAMETERS OF 18" OR SMALLER SHALL BE PLUGGED WITH 8" THICK PLUGS. PIPES HAVING DIAMETERS LARGER THAN 18" SHALL BE PLUGGED WITH 12" THICK PLUGS. THE CONSTRUCTION OF PIPE PLUGS SHALL NOT BE PAID FOR DIRECTLY, BUT SHALL BE CONSIDERED SUBSIDIARY.



TYPICAL SECTION THRU TOEWALL
NO SCALE

- NOTES**
1. ALL RIPRAP FOR THIS PROJECT SHALL BE NATURAL STONE. NEITHER BROKEN CONCRETE, FABRIC ENVELOPE, NOR PREMIXED DRY PACKAGED CONCRETE BAG ALTERNATES WILL BE ALLOWED.
 2. TOEWALLS SHALL BE INSTALLED ALONG ALL EDGES OF STONE RIPRAP OR AS SHOWN ON PLANS.
 3. GROUTING OF THE SURFACE OF THE RIPRAP SHALL NOT BE PERFORMED. GROUTING OF THE TOEWALLS SHALL BE PERFORMED PER SPECIFICATIONS.

Saved: 11-12-2010 3:59:48 PM by: BJS
 Plot Scale: 1:10 11-12-2010 4:00:20 PM by: BILL J. SECKSON
 G:\2009\08389\004\08389-004-C-RIPRAP AND MISC DTLS



No.	Revision	By	Date
	FONTANA 4TH ADDITION-PHASE 2 STORM WATER DRAIN NO. 283		
RIPRAP AND MISCELLANEOUS DETAILS			
JAMES L. ARMOUR, P.E. - CITY ENGINEER CITY OF WICHITA PROJ. NO. 468-84122 Professional Engineering Consultants, P.A. 303 S. TOPEKA • WICHITA, KANSAS 67202 316-262-2691 • FAX 316-262-3003			
Designed by	BMM	Job No.	35-08389-004
Drawn by	BJS	Date	September 2009
			Sheet 15 of 28