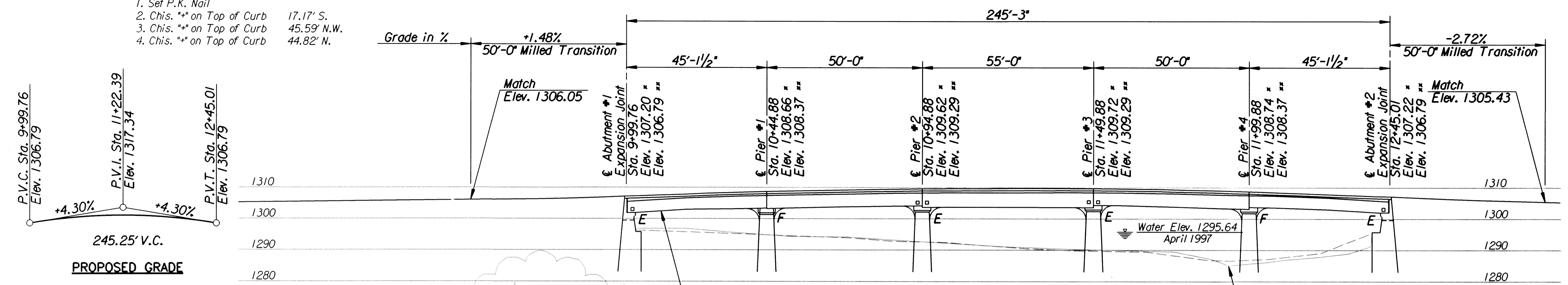


SHEET NO.	TOTAL SHEETS
4	33

P.O.T. *4 Sta. 8+75.16
 1. Set P.K. Nail
 2. Chis. ** on Top of Curb 17.17' S.
 3. Chis. ** on Top of Curb 45.59' N.W.
 4. Chis. ** on Top of Curb 44.82' N.

P.O.T. *3 Sta. 12+99.88
 1. Set P.K. Nail
 2. Spike in East Face of P.P. 24.33' S.S.E.
 3. Chis. ** on Sidewalk 33.54' S.S.W.
 4. Chis. ** on Top of Curb 28.61' N.E.



DRAINAGE DATA

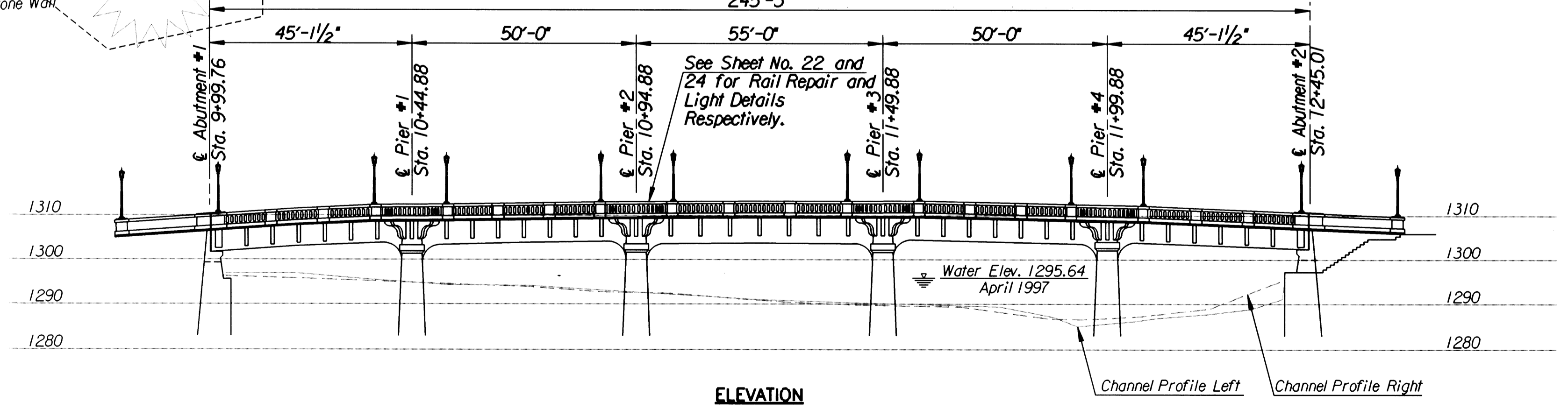
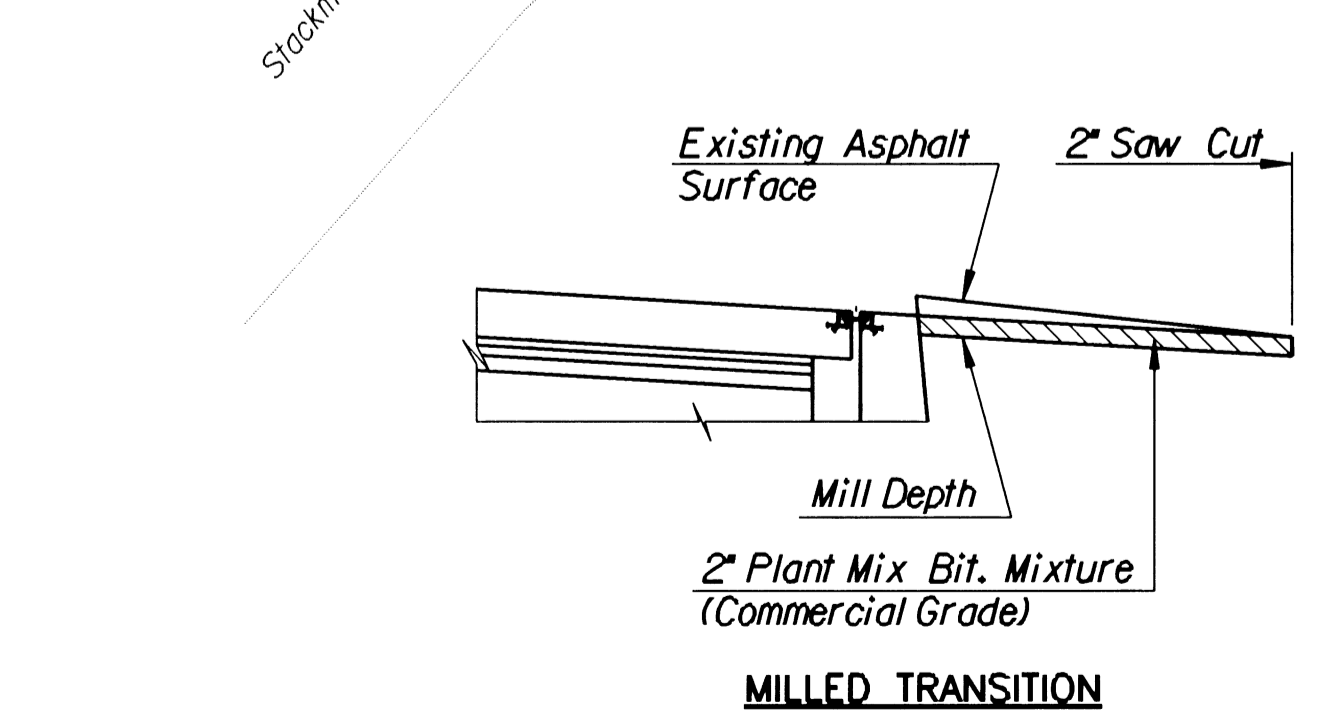
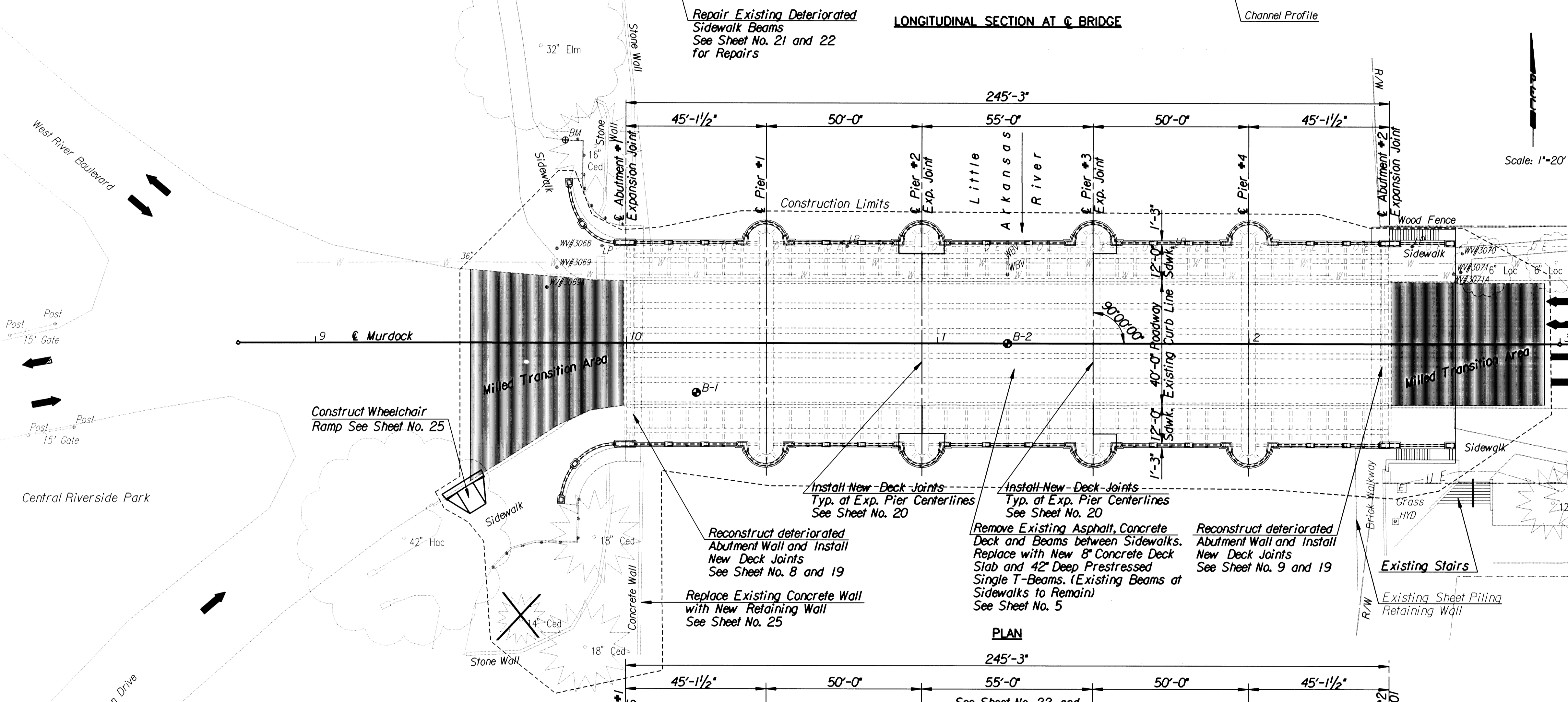
Design Frequency	10-50 Yr.
Design Discharge	5,500 cfs
Average Design Velocity	2.4 fps
Design High Water Elevation	1300.6 Ft.
Total Waterway Provided	2,948 Sq. Ft.
Design Waterway Provided	2,316 Sq. Ft.

LEGEND

- ⊙ Deck Core
- * Existing Crown Grade at Top of Asphalt
- ** Proposed Crown Grade

Core B-1 Location: 16' Rt. of Bridge (West End)
 5 1/2" Asphalt
 8" Concrete
 5 1/2" Top of Concrete to Top of Reinforcing

B-2 Location: Center of Bridge on E
 8 3/4" Asphalt
 9 1/4" Concrete
 7 1/4" Top of Concrete to Top of Reinforcing



PROJECT BENCHMARK:
 C.O.W. Disk in Sidewalk at N.W. Cor. of Bridge
 City Datum El. 118.82 M.S.L. El. 1306.22

EXISTING BRIDGE:
 Spans: 45'-1 1/2", 50'-0", 55'-0", 50'-0", 45'-1 1/2"
 Type: Simple Span R.C. Beams Monolithic with 8" Roadway Slab. Footing supported on Timber Piles. 40'-0" Roadway with 12'-0" Sidewalks Left and Right. Elevations shown on Longitudinal Section are existing Top of Asphalt elevations.
 Bridge No.: 5304008700LAR30.

CITY OF WICHITA, KANSAS		By		Date	
MICHAEL E. LINDEBAK, P.E.-CITY ENGINEER					
MURDOCK BRIDGE					
OVER LITTLE ARKANSAS RIVER					
CONSTRUCTION LAYOUT					
CITY OF WICHITA PROJECT NO. 472-82785					
PROFESSIONAL ENGINEERING CONSULTANTS, P.A.					
ENGINEERS					
WICHITA, KANSAS					
Designed by	R.A.S.	Checked by	R.A.S.		
Drawn by	R.A.S./W.L.L.L.	Date	October 1998	Job No.	96940

usr/ustm/dgm/1996/96940/layout.dgn
 drawn by: ras/wll
 plotted by: ras 12-29-98