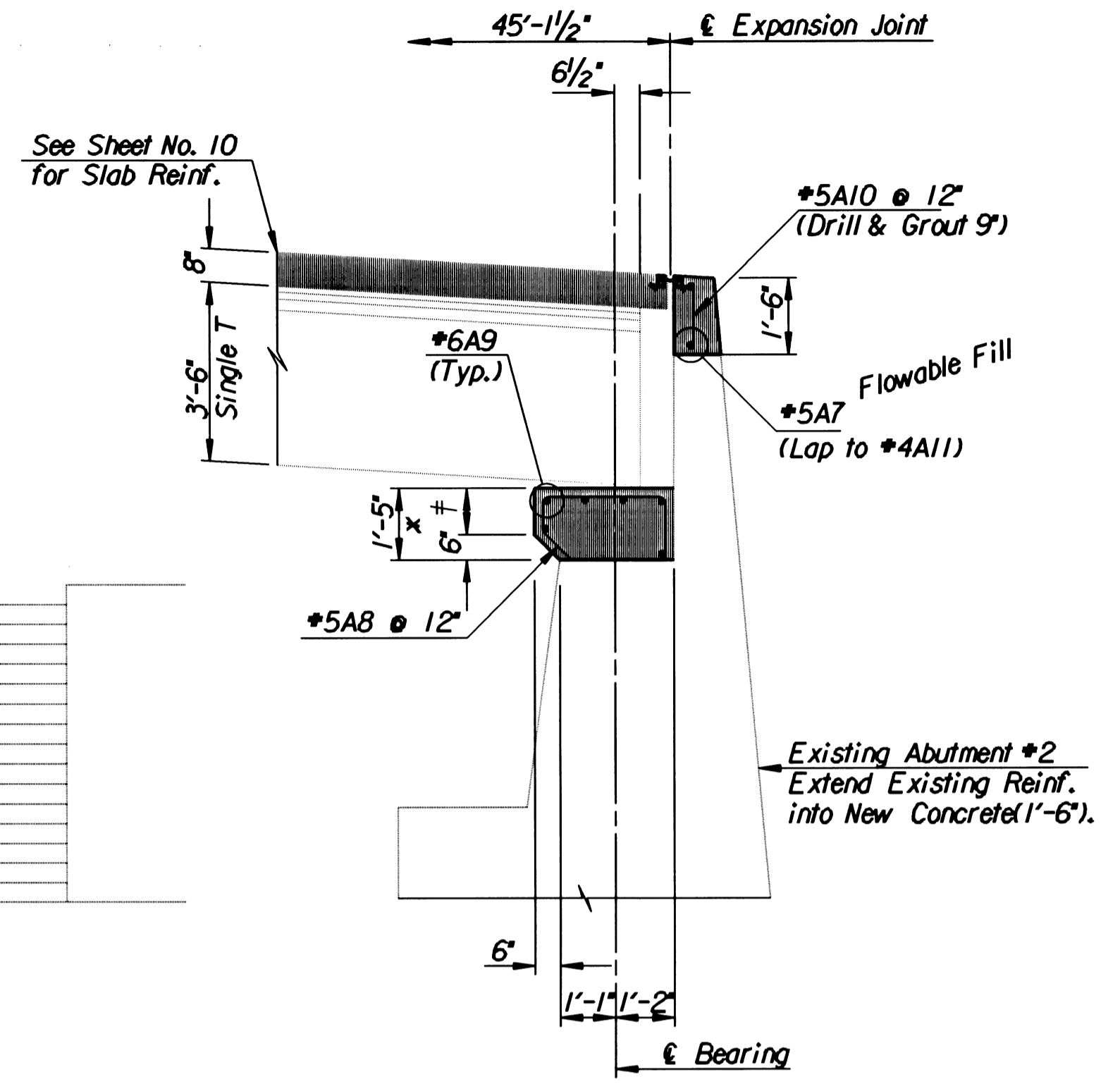


ELEVATION  
(Looking East)



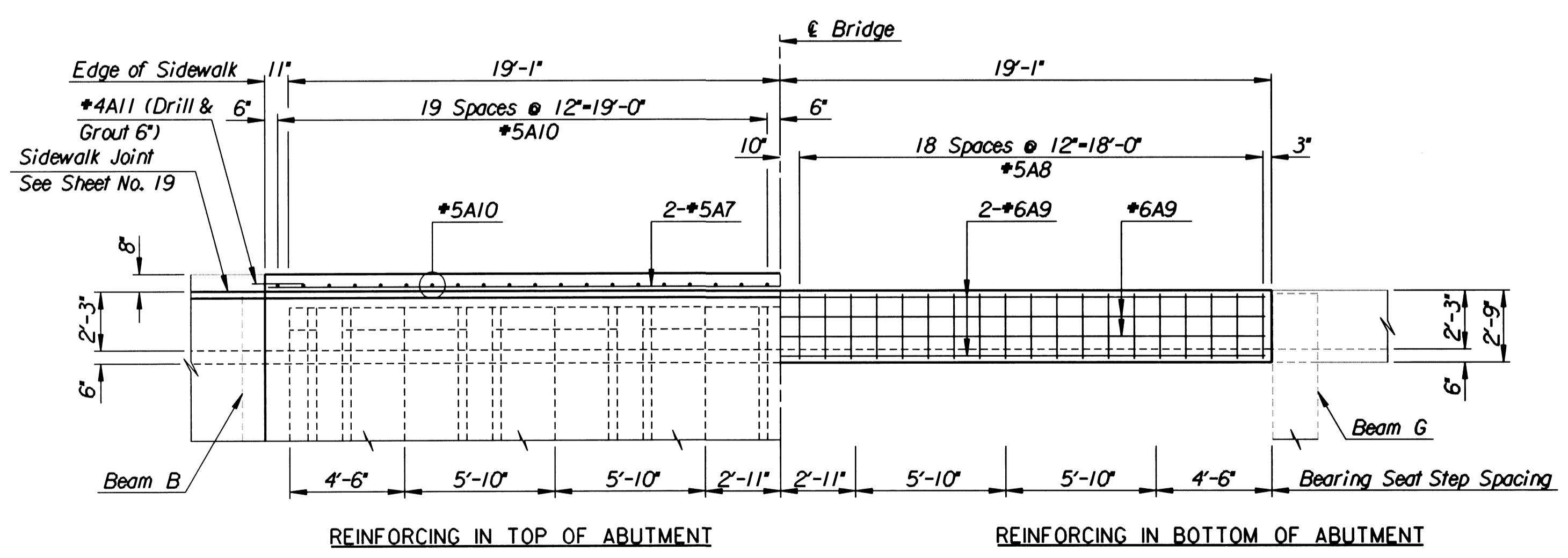
SECTION A-A

\* Remove and Replace 1'-5" min. of Existing Concrete above Corbel.  
† 11" minimum (see seat elev.)

Note:

1. Concrete repair areas to be as shown on the elevations or as directed by the Engineer. See Sheet No. 22 for Concrete Repair Procedures.
2. Dimensions and Elevations shown are based on field measurements and shall be verified by the Contractor
3. Abutment replacement areas to be paid for as "Class AAA Concrete (AE)" and "Reinforcing Steel (Grade 60)(Epoxy Coated)".

Legend  
 New concrete area  
 Cracks to be Pressure Grouted See Sheet No. 22.



PLAN

TABLE OF ELEVATIONS

Location	Elevation
Elev. A	1306.54
Elev. B	1306.85
Elev. C	1306.54
Beam AA Brg. Seat	1302.27
Beam BB Brg. Seat	1302.36
Beam CC Brg. Seat	1302.45
Beam DD Brg. Seat	1302.49
Beam EE Brg. Seat	1302.45
Beam FF Brg. Seat	1302.36
Beam GG Brg. Seat	1302.27
Conc. Removal Line	1300.85

No.		Revisions		By	Date
CITY OF WICHITA, KANSAS MICHAEL E. LINDEBAK, P.E. - CITY ENGINEER MURDOCK BRIDGE OVER LITTLE ARKANSAS RIVER <b>ABUTMENT NO. 2 DETAILS</b> CITY OF WICHITA PROJECT NO. 472-82785 <b>PROFESSIONAL ENGINEERING CONSULTANTS, P.A.</b> ENGINEERS WICHITA, KANSAS					
Designed by	R.W.A.	Checked by	R.A.S.		
Drawn by	W.L.L.	Date	Oct. 1998	Job No.	96940

1/1996/96940/abut#2  
 drawn by: wil  
 plotted by: ras 12-29-98