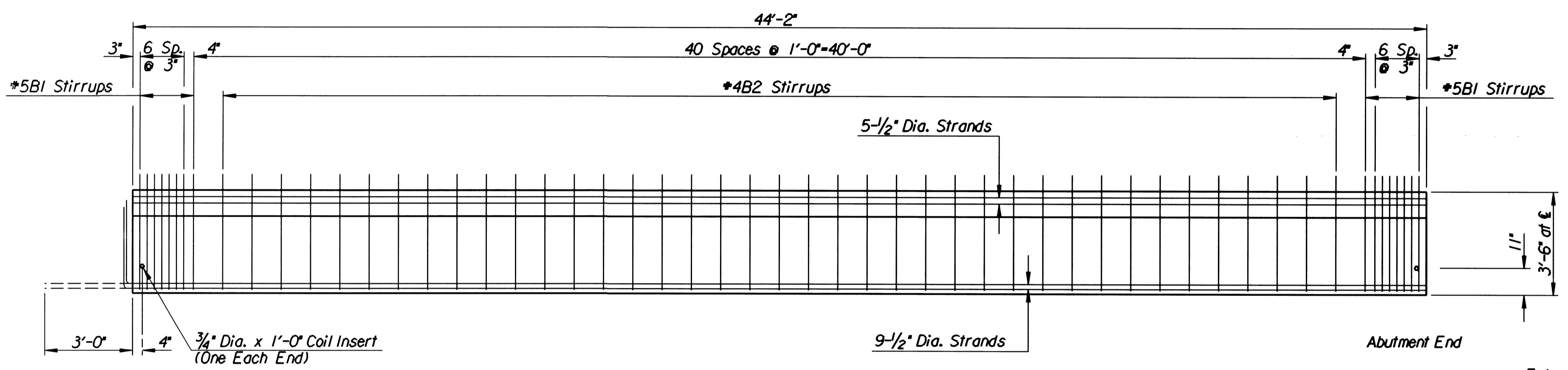


PLAN

Flange to Flange Connector
Omit on Outside Flange of Beams AA and GG



ELEVATION OF SINGLE "T" PRESTRESSED CONCRETE BEAM

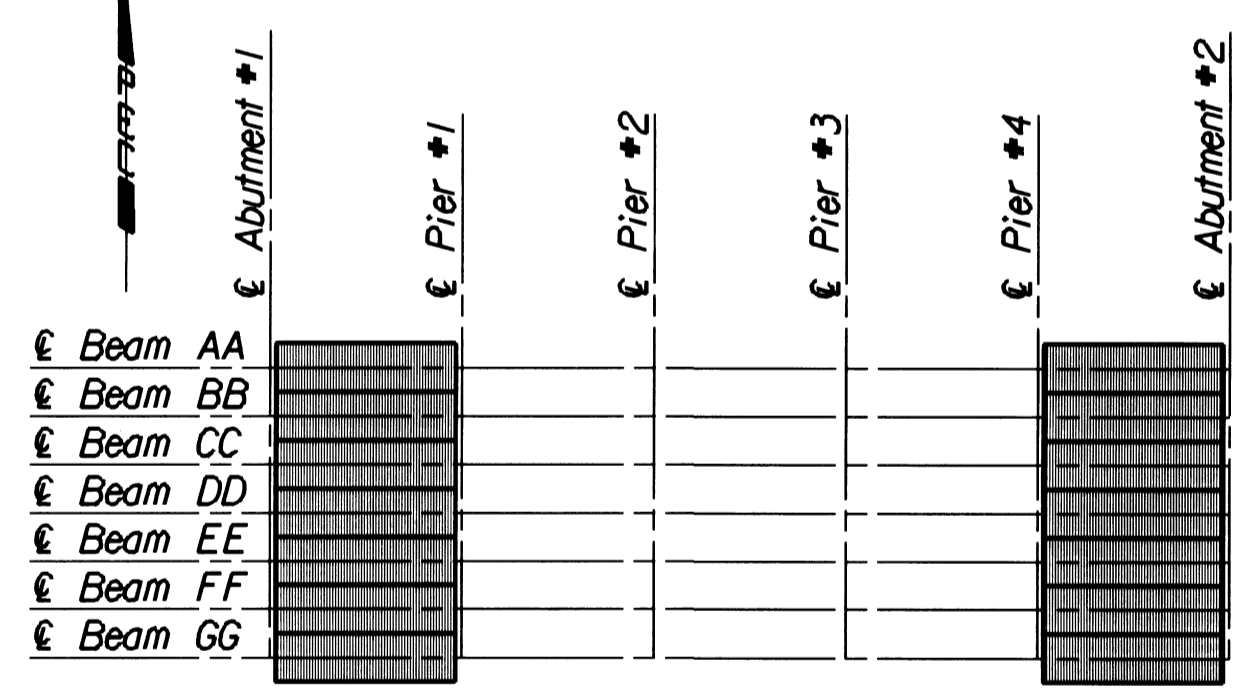
44'-2" Beam - 15.6 Tons per Beam (Beams BB thru FF)
14.6 Tons per Beam (Beams AA or GG)

Flange to Flange Connectors (Typ.)

REINFORCING STEEL XX (ONE BEAM)			
Mark	No.	Size	Length
B1	16	#5	9'-4"
B2	39	#4	9'-4"
B4	X	#4	3'-6"
Strands	14	1/2" Dia.	
6"x6"	5'-10" Beam - 242 Sq. Ft.		
Fabric	4'-6" Beam - 185 Sq. Ft.		

X 6 for Beams AA and GG
12 for Beams BB, CC, DD, EE and FF.

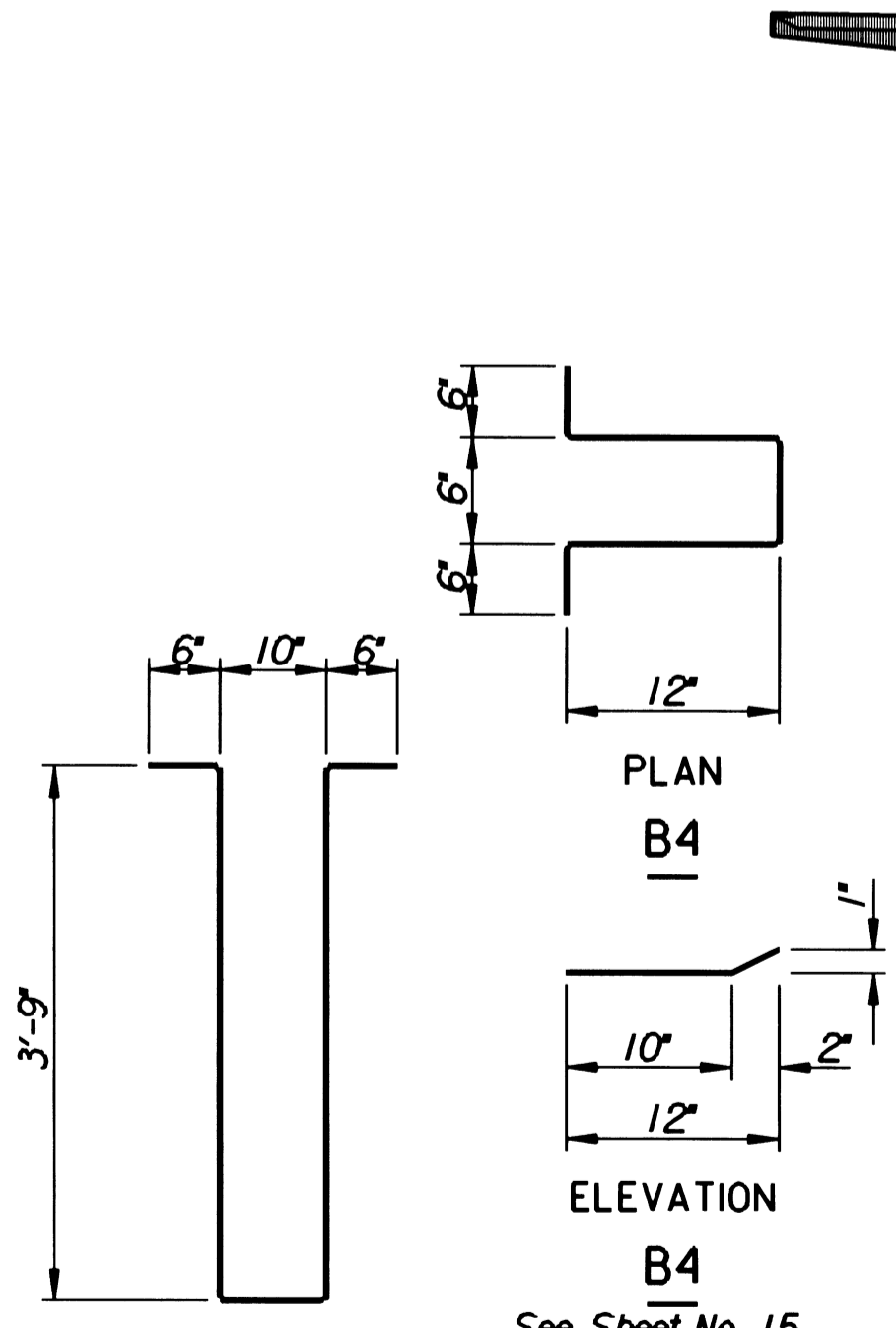
XX See Bending Diagrams



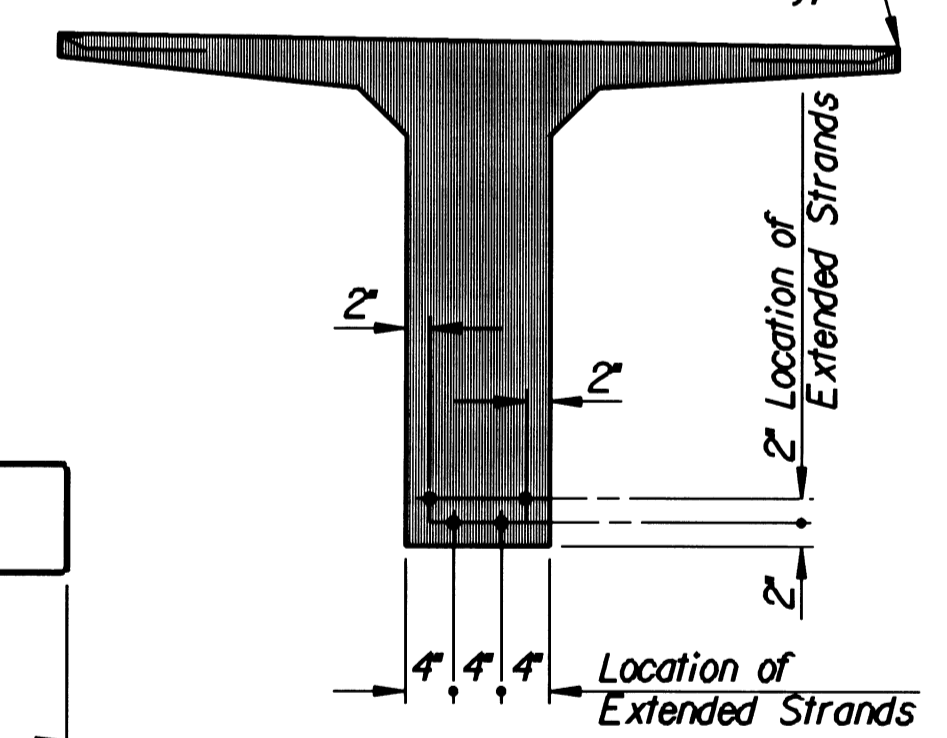
BEAM LOCATION PLAN

SUMMARY OF QUANTITIES (FOR 44'-2" BEAM)			
(For Information Only)			
Item	Unit	10-(5'-10" Beams)	4-(4'-6" Beams)
Concrete in Beams (f'c=5000 p.s.i.)	Cu. Yds.	79.2	29.9
Prestressing Steel A416 1/2" Dia. (Low Relaxation)	Lin. Ft.	6,183	2,473
Reinforcing Steel (Grade 60)	Lbs.	4,270	1,652
Elastomeric Bearing Pads (D60) (3/4"x8"x10 1/2")	Each	10	4
3/4" Open Coil Insert 6.0M	Each	20	8
Welded Wire Fabric	Sq. Ft.	2,420	740
3/4" Threaded Coil Rod x 9'	Each	40	16

Subsidiary to Prestressed Concrete Beams
6.0M Designates 6000 Lbs. Safe Load in Tension.

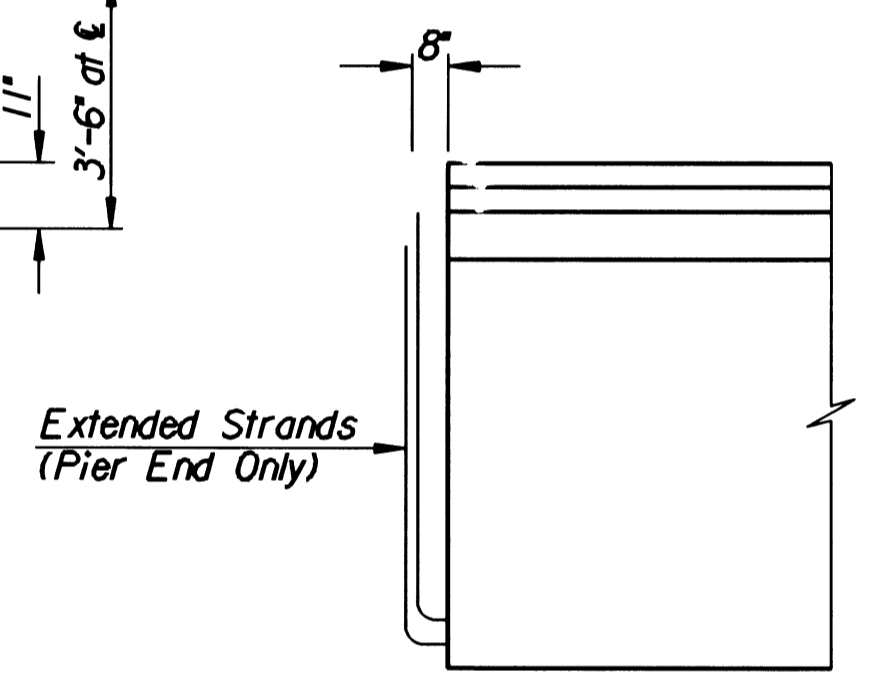


BENDING DIAGRAMS
Dimensions are out to out of bars



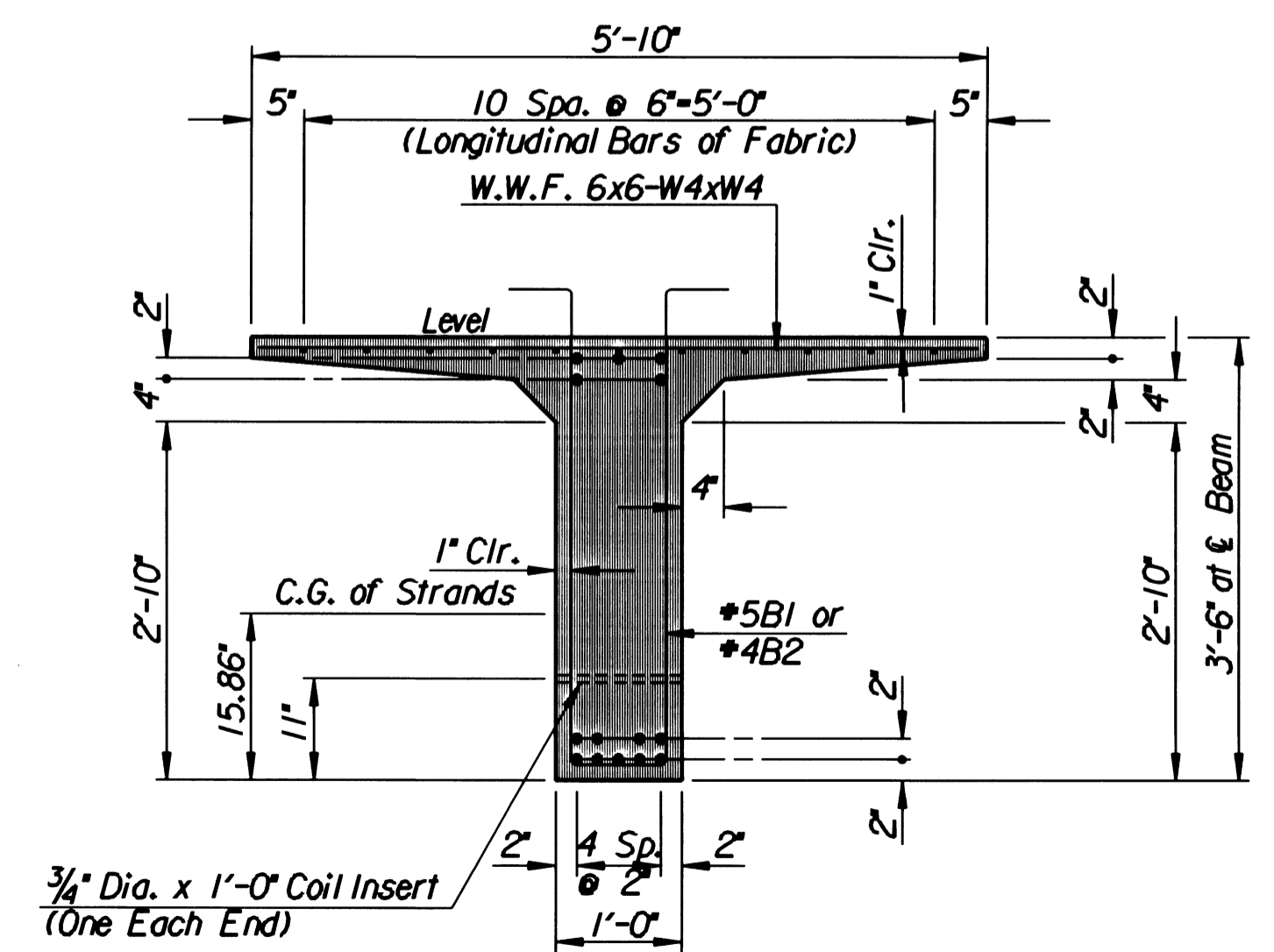
TYPICAL SECTION

Note: Strands not Extended shall be cut flush.



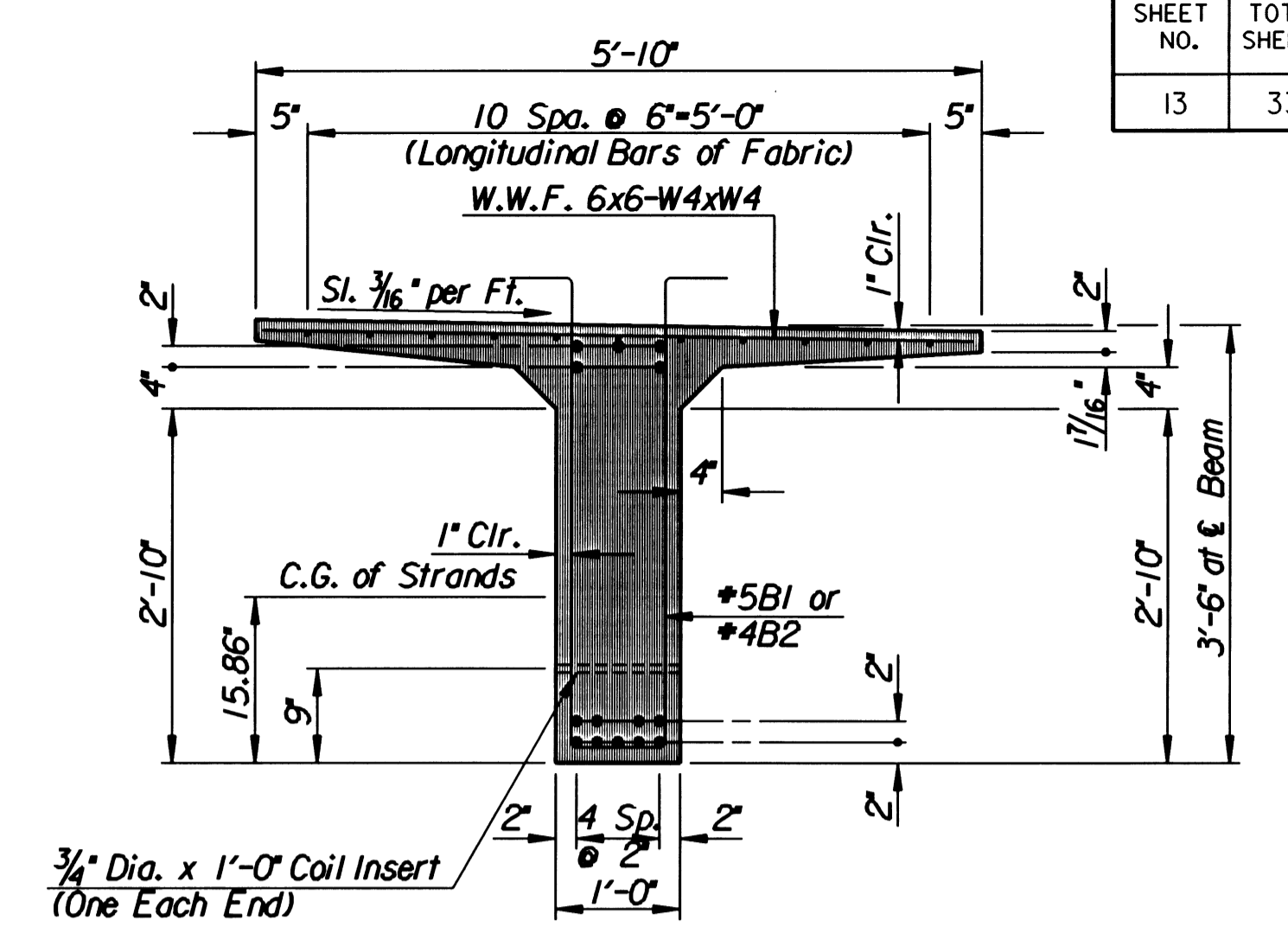
PART ELEVATION OF BEAM

(Showing Extended Strands)
Strands shall be bent on a 3" Dia. pin.



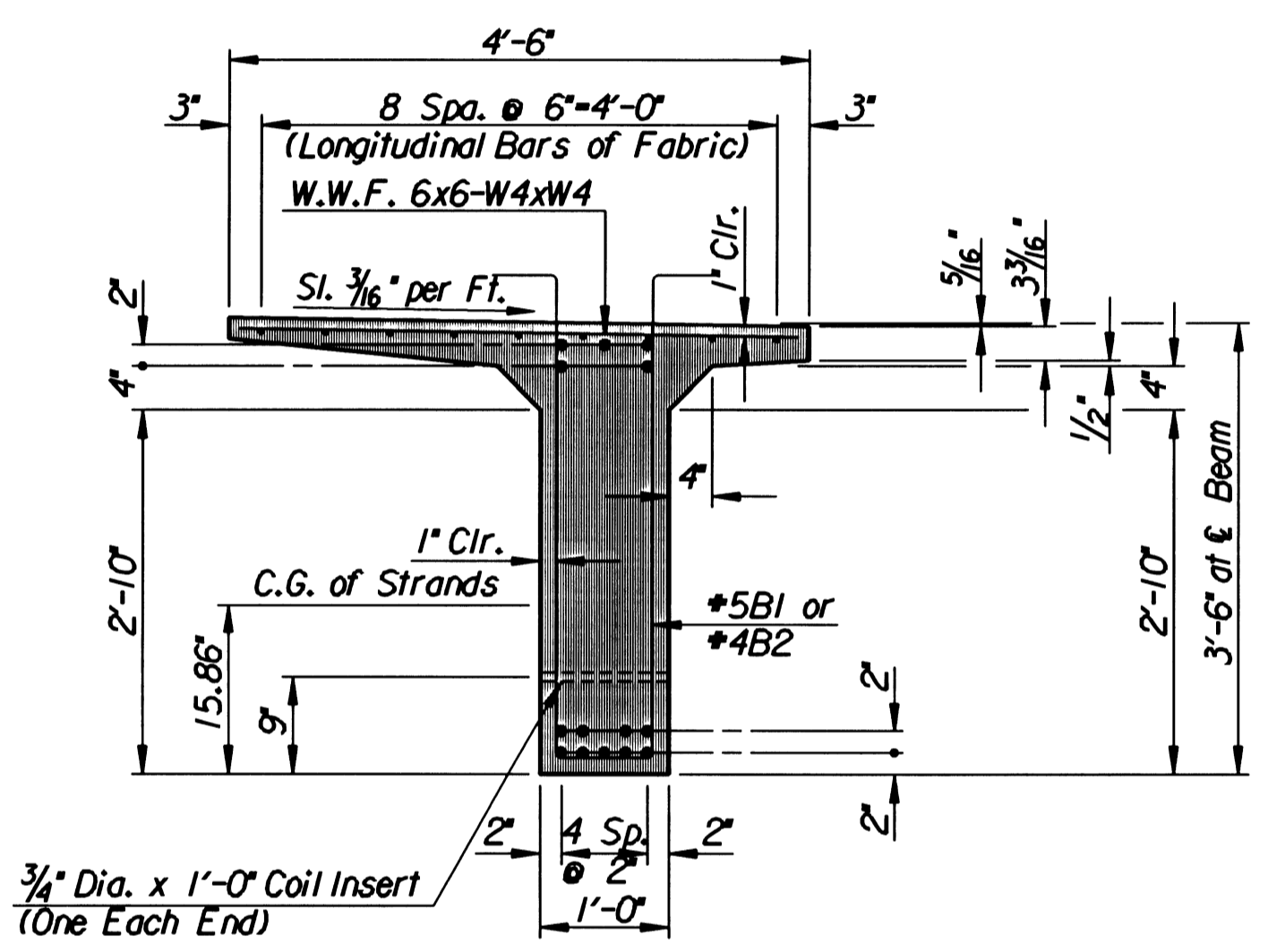
TYPICAL SECTION

(Beam DD)
44'-2" Beam



TYPICAL SECTION

(Beams BB, CC, EE and FF)
44'-2" Beam



TYPICAL SECTION

(Beams AA and GG)
44'-2" Beam

No.	Revisions	By	Date

CITY OF WICHITA, KANSAS
MICHAEL E. LINDEBAK, P.E. - CITY ENGINEER
MURDOCK BRIDGE
OVER LITTLE ARKANSAS RIVER
44'-2" SINGLE T BEAM DETAILS
CITY OF WICHITA PROJECT NO. 472-82785
DESIGNED BY
PROFESSIONAL ENGINEERING CONSULTANTS, P.A.
WICHITA, KANSAS

Designed by R.W.A. Checked by R.A.S.
Drawn by W.L.L. Date Oct. 1998 Job No. 96940