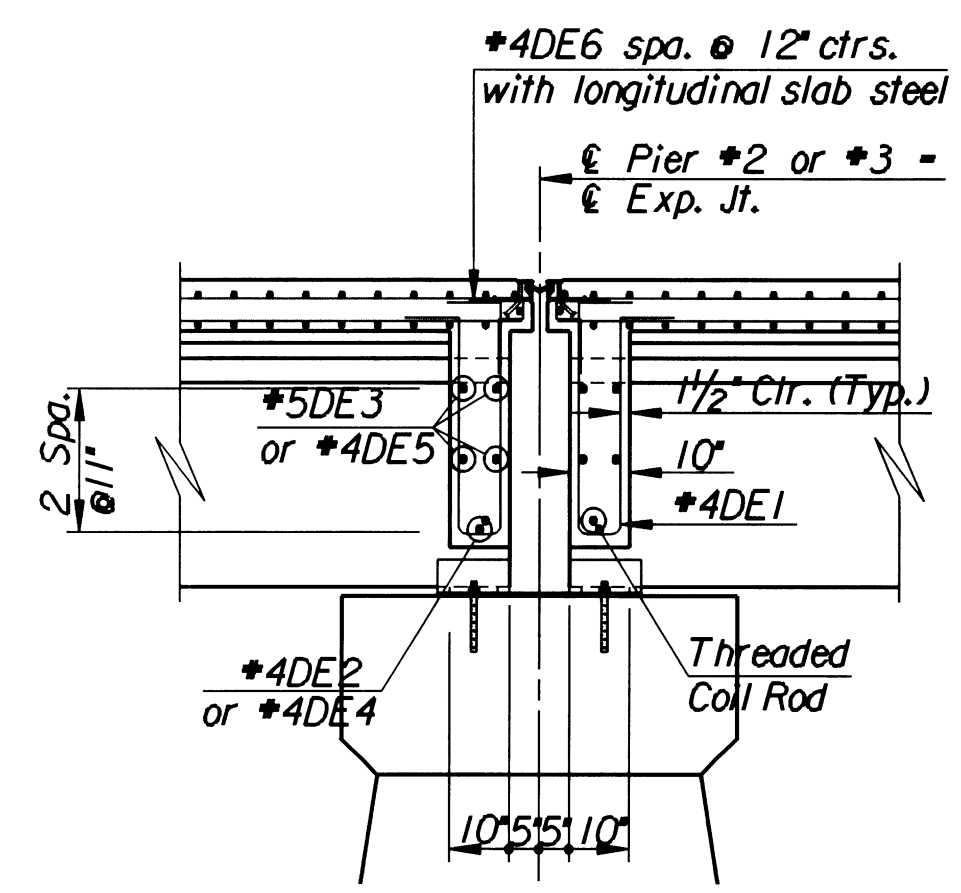
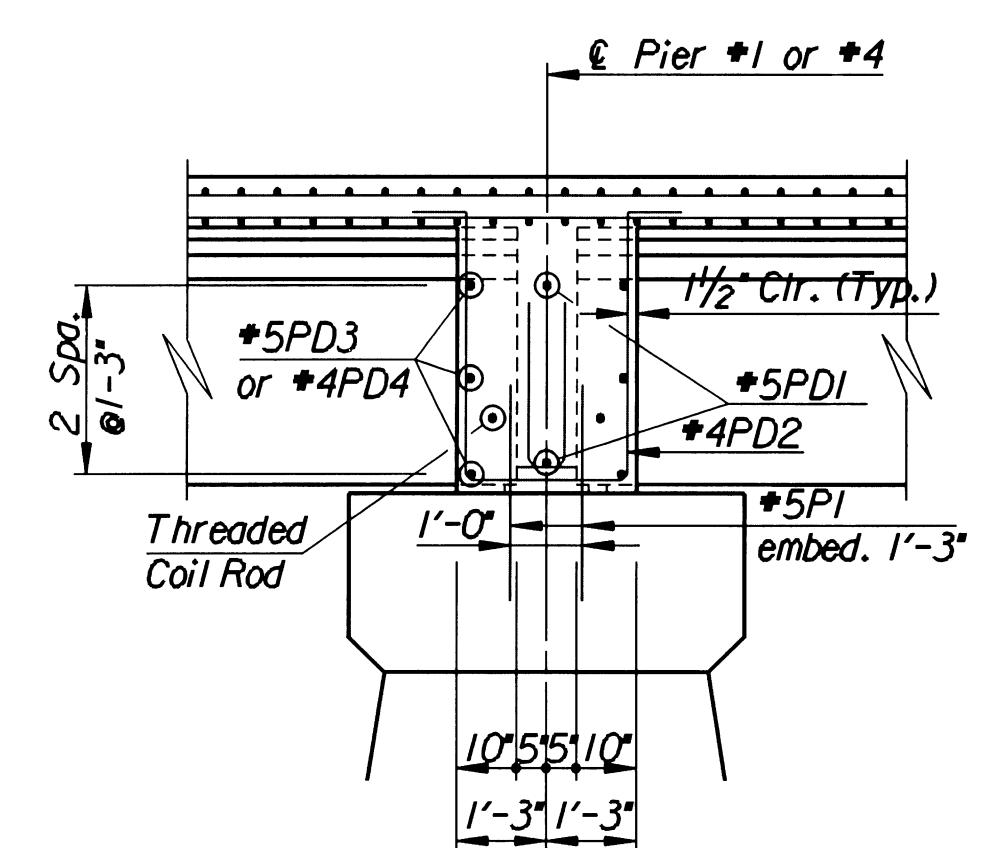


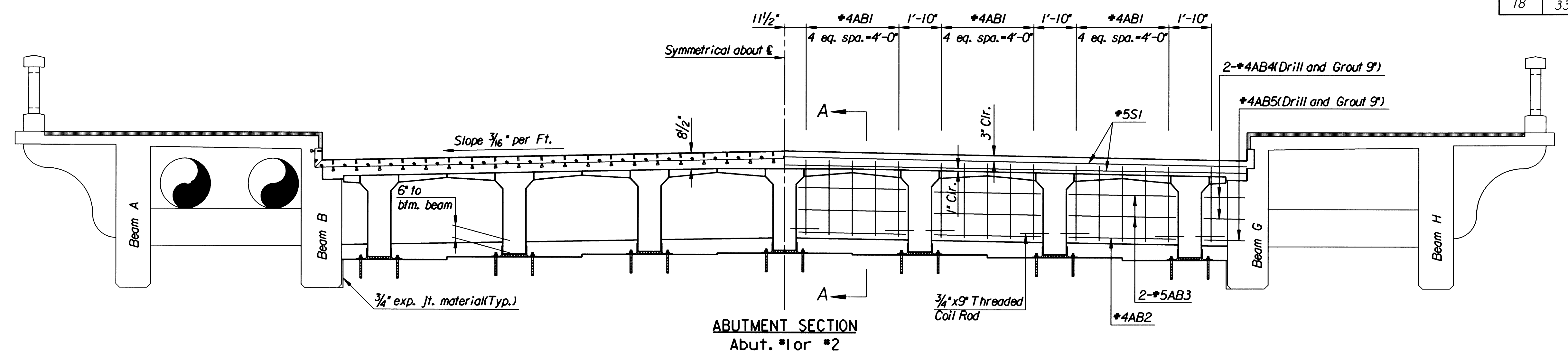
SECTION A-A



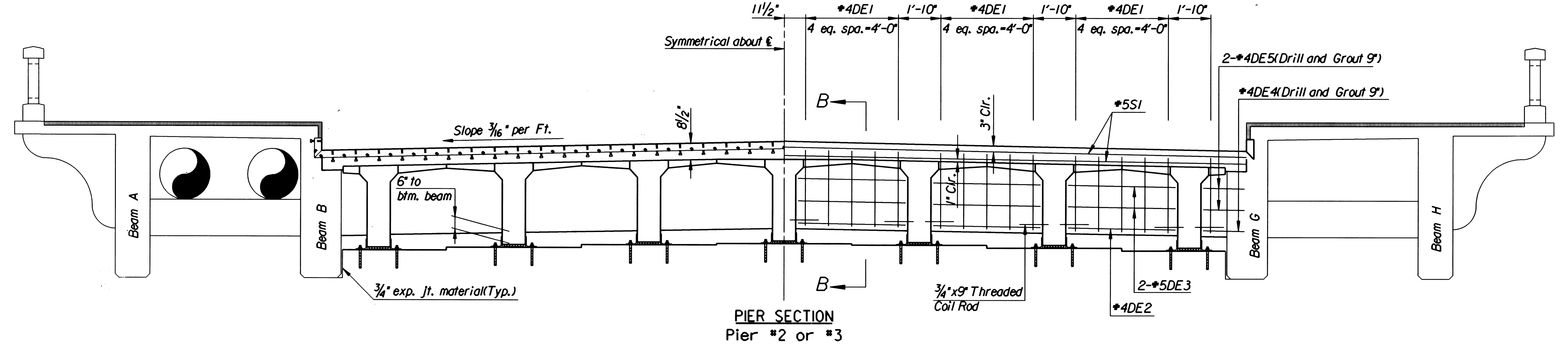
SECTION B-B



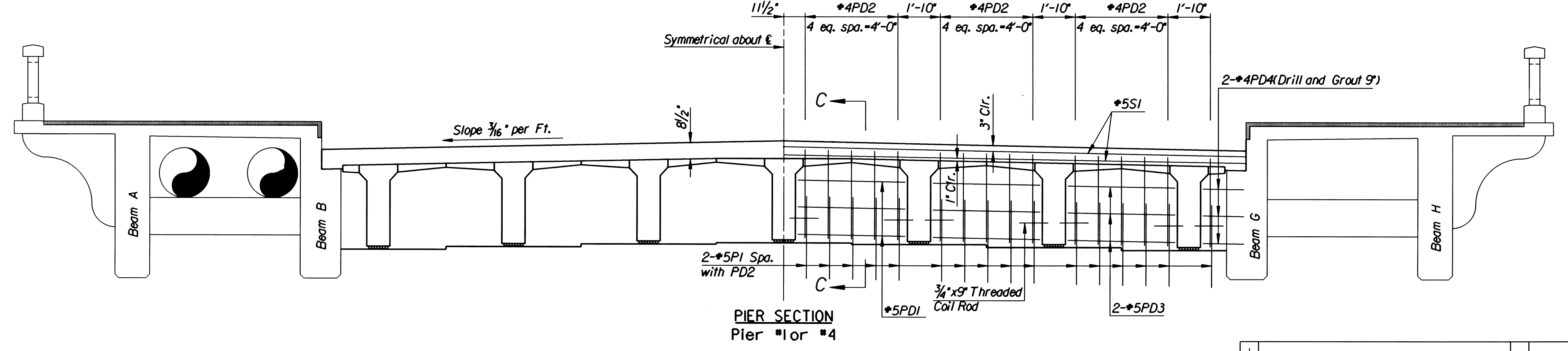
SECTION C-C



ABUTMENT SECTION
Abut. #1 or #2



PIER SECTION
Pier #2 or #3



PIER SECTION
Pier #1 or #4

No.	Revisions	By	Date

CITY OF WICHITA, KANSAS
MICHAEL E. LINDEBAK, P.E.-CITY ENGINEER
MURDOCK BRIDGE
OVER LITTLE ARKANSAS RIVER
DIAPHRAGM DETAILS

CITY OF WICHITA PROJECT NO. 472-82785
PROFESSIONAL ENGINEERING CONSULTANTS, P.A.
ENGINEERS
WICHITA, KANSAS

Designed by	R.W.A.	Checked by	R.A.S.
Drawn by	MAF	Date	Oct. 1998
		Job No.	96940

i:/1996/96040/diaphragm.dgn
 drawn by: ras
 plotted by: ras 12-29-98