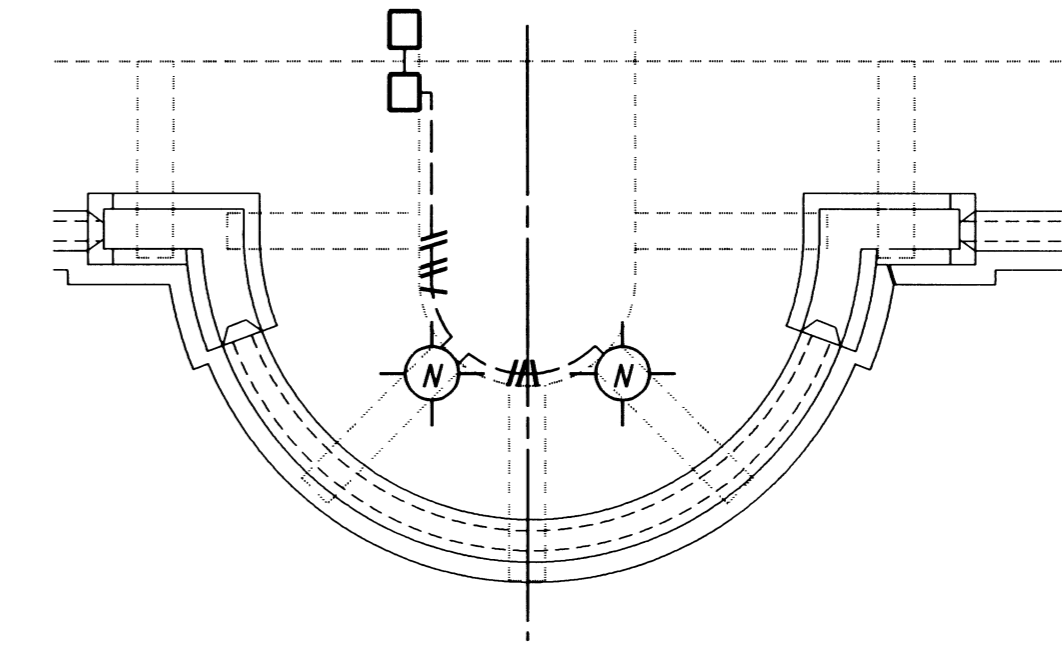
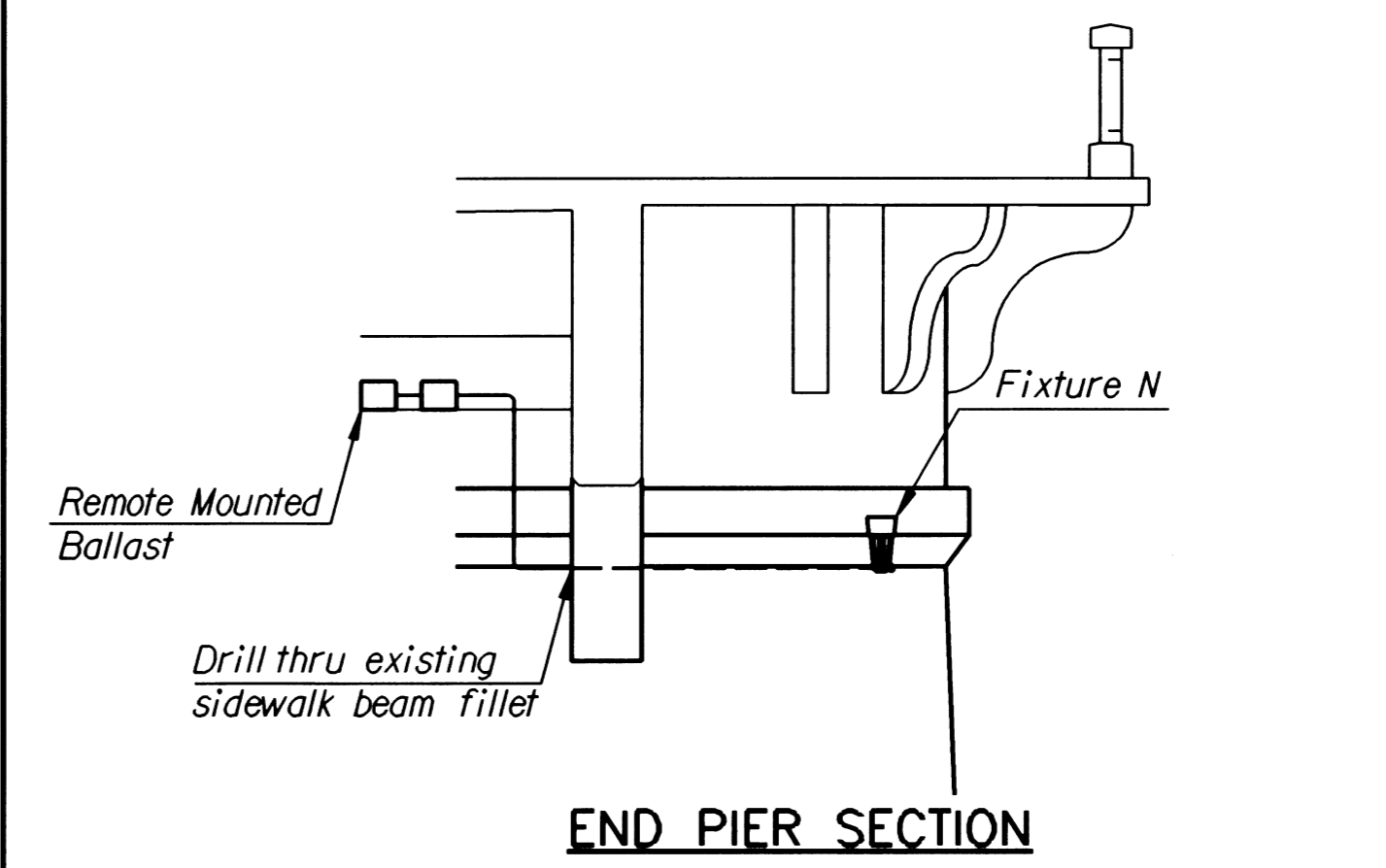
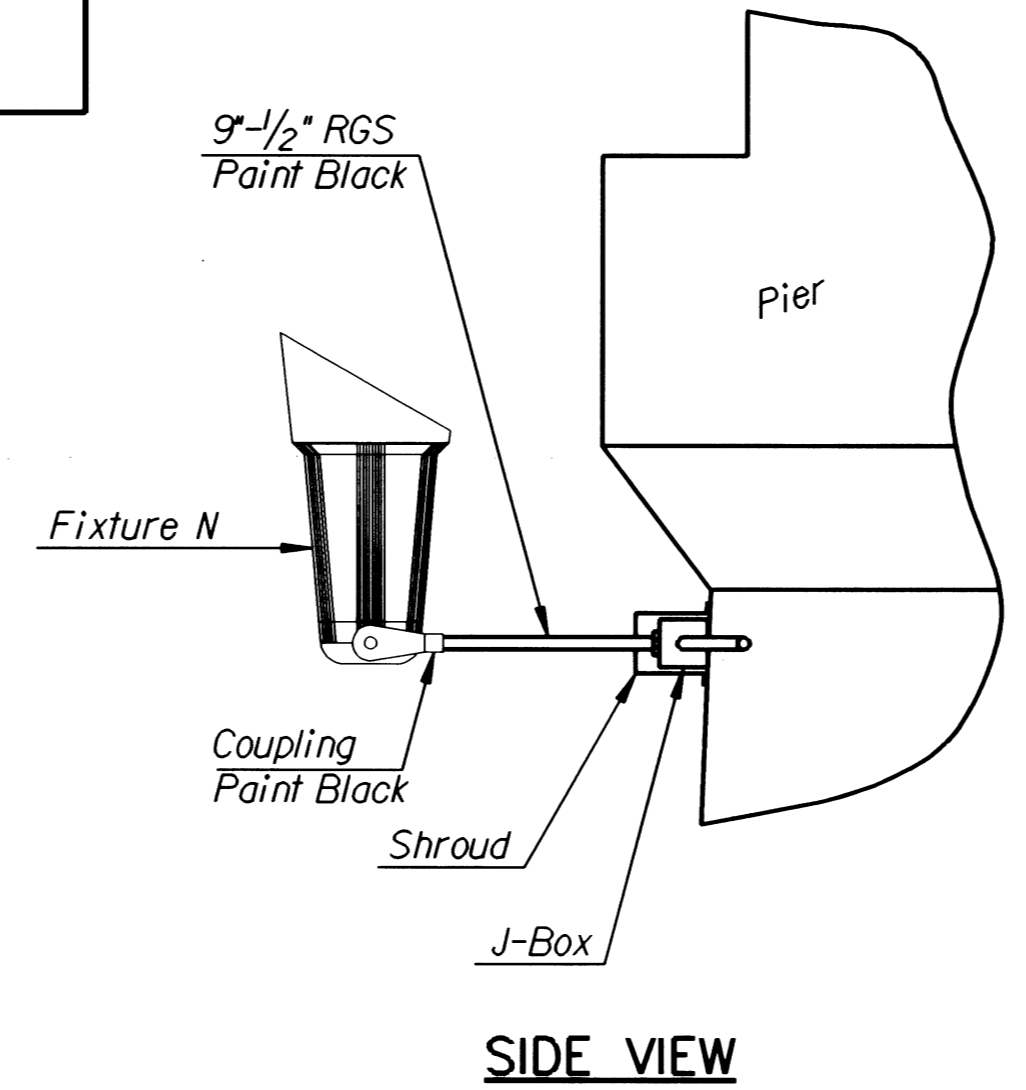
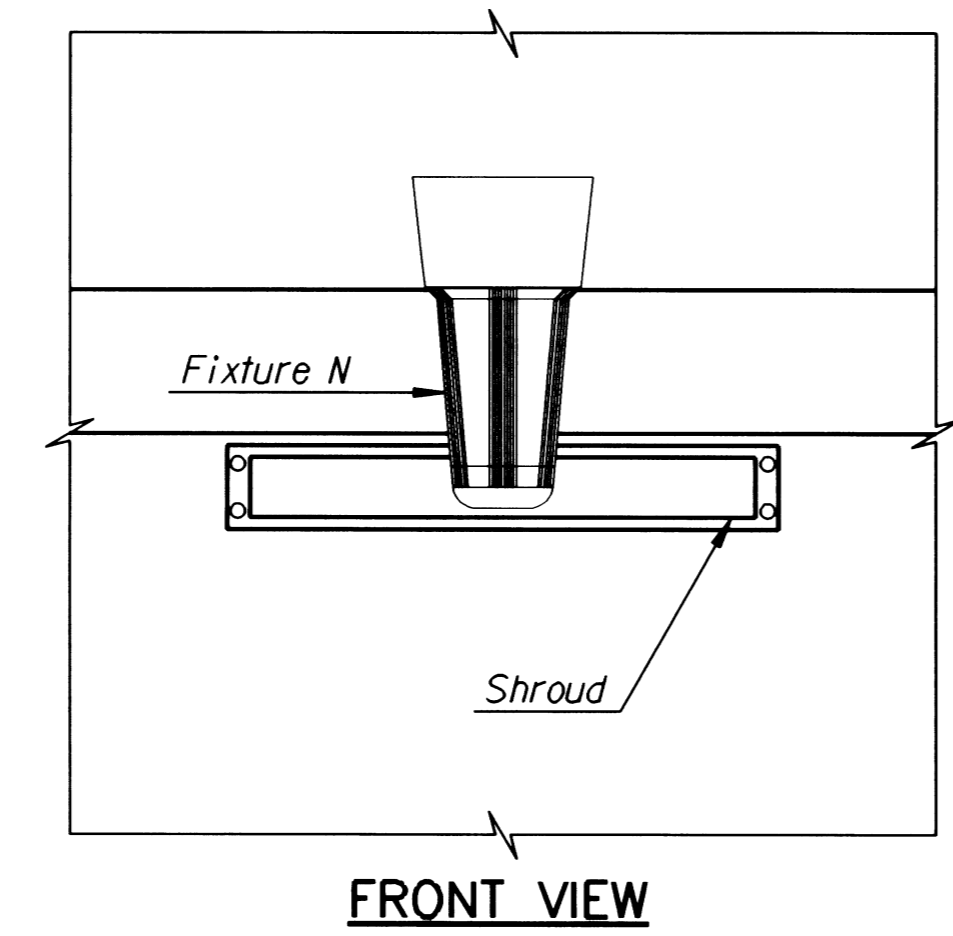
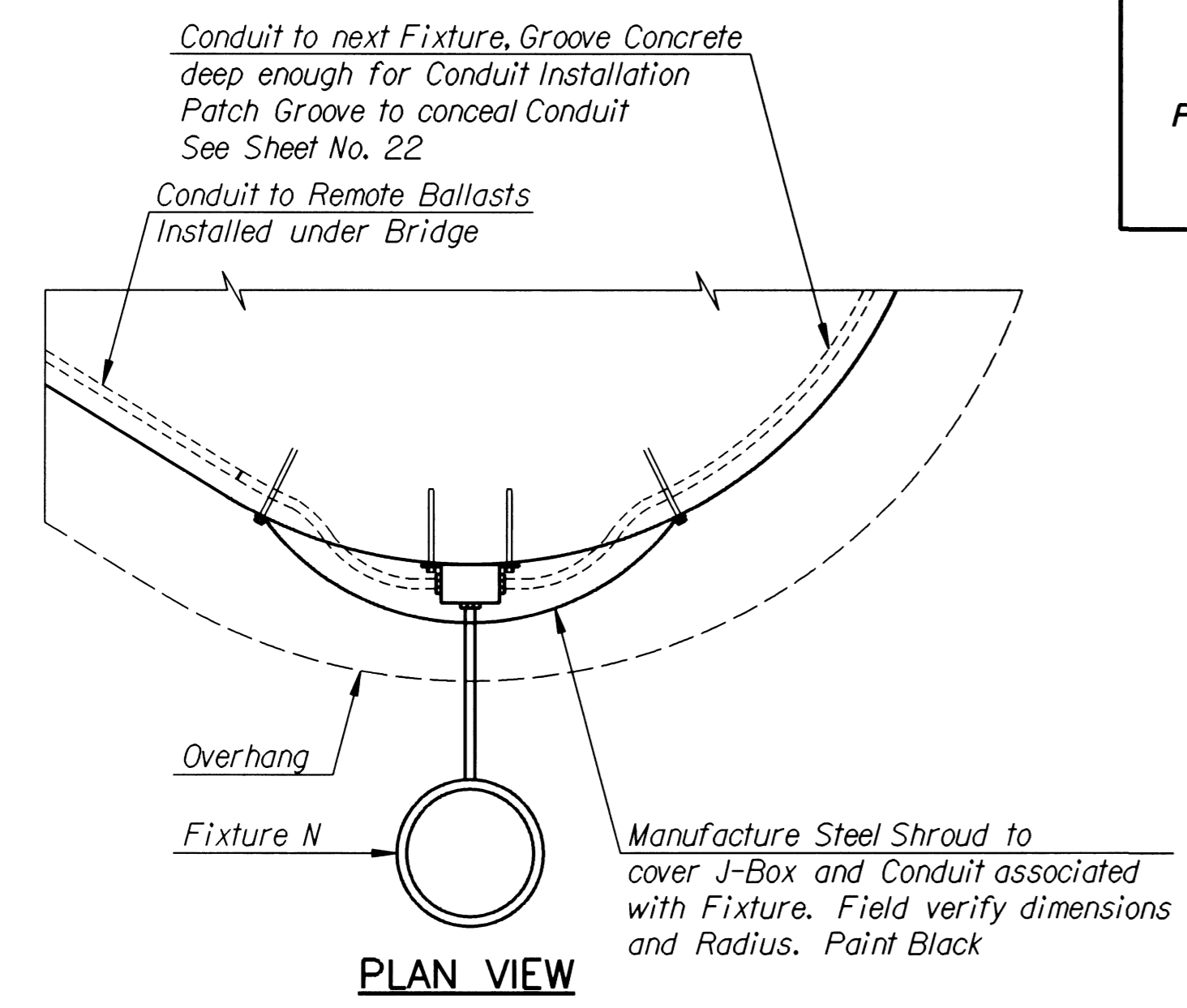
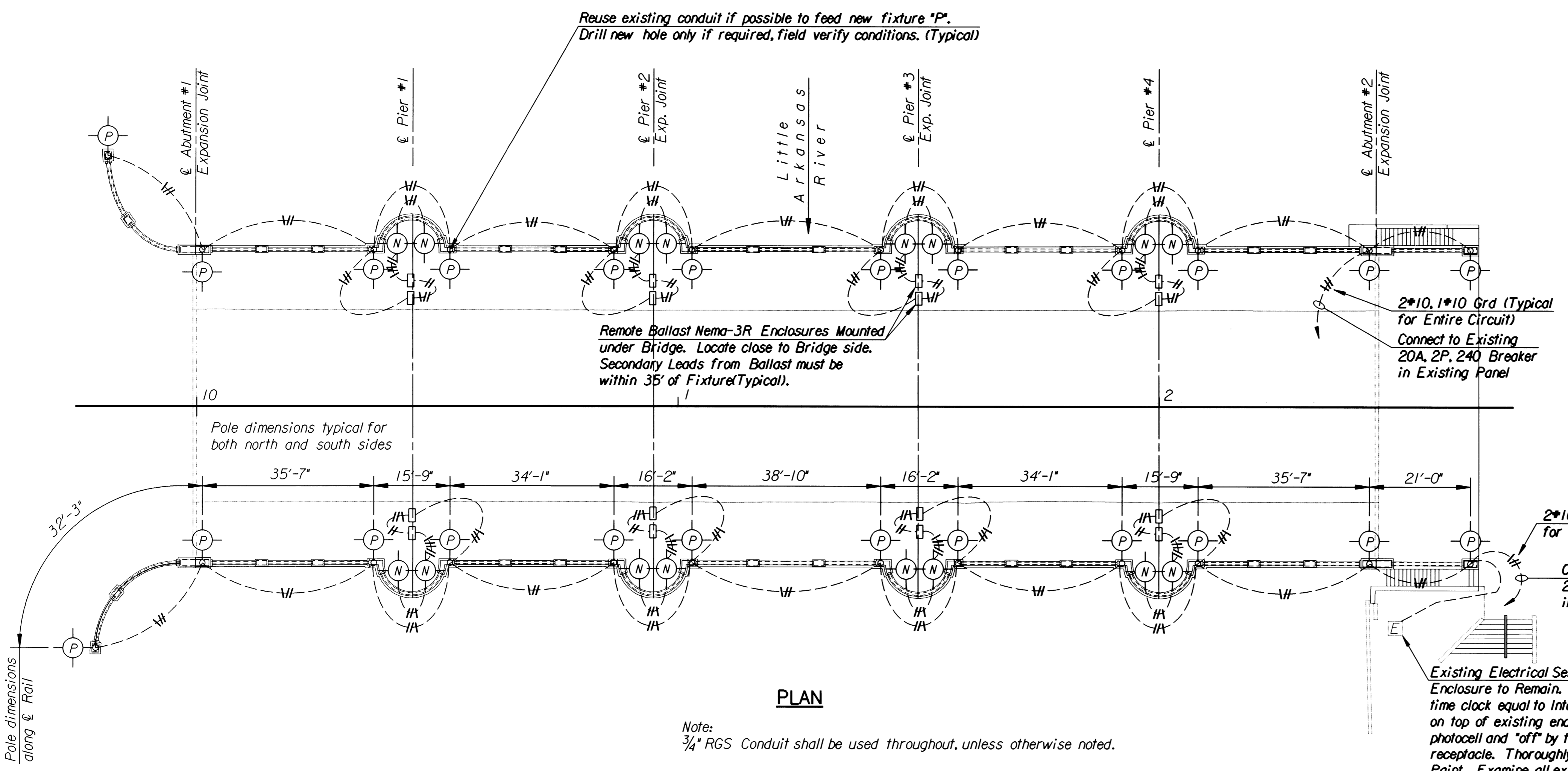


FIXTURE SCHEDULE		
N	Greenlee Lighting	*CBM FCB BLK CL GS INL SPCL 18" Leads with *AG 50 HPS 240 BLK (Remote Ballast with Enclosure) Provide 50W HPS Lamp.
P	Antique Street Lamps, Inc.	*WLT30 PC / BK-S100 / 240-111 With Pole *DB/15-C1/BK. Provide 100 Watt HPS Lamp.

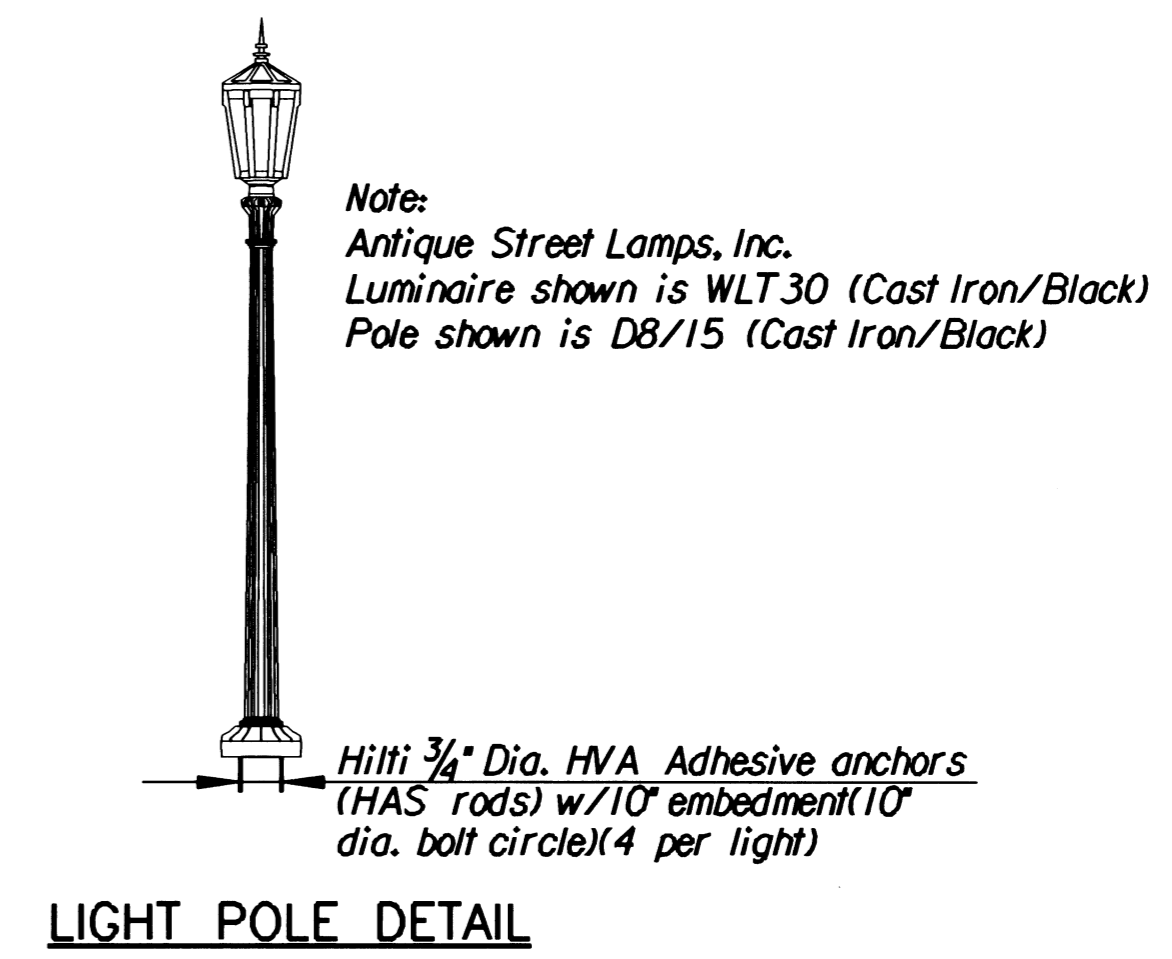
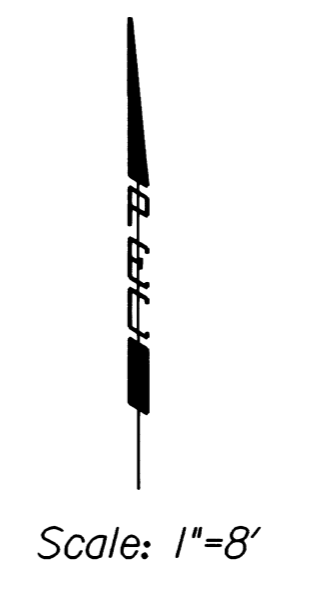


Scale: 1"=4'



PLAN

Note:  
3/4" RGS Conduit shall be used throughout, unless otherwise noted.



LIGHT POLE DETAIL

No.	Revisions	By	Date

CITY OF WICHITA, KANSAS  
MICHAEL E. LINDEBAK, P.E.-CITY ENGINEER  
MURDOCK BRIDGE  
OVER LITTLE ARKANSAS RIVER  
ELECTRIC SITE PLAN AND LIGHT DETAILS  
CITY OF WICHITA PROJECT NO. 472-82785  
PROFESSIONAL ENGINEERING CONSULTANTS, P.A.  
ENGINEERS  
WICHITA, KANSAS

Designed by	R.A.S.	Checked by	R.A.S.
Drawn by	W.L.L.	Date	October 1998 Job No. 96940

11/1996/96940/lights.dgn  
 drawn by: ras  
 plotted by: ras 12-30-98