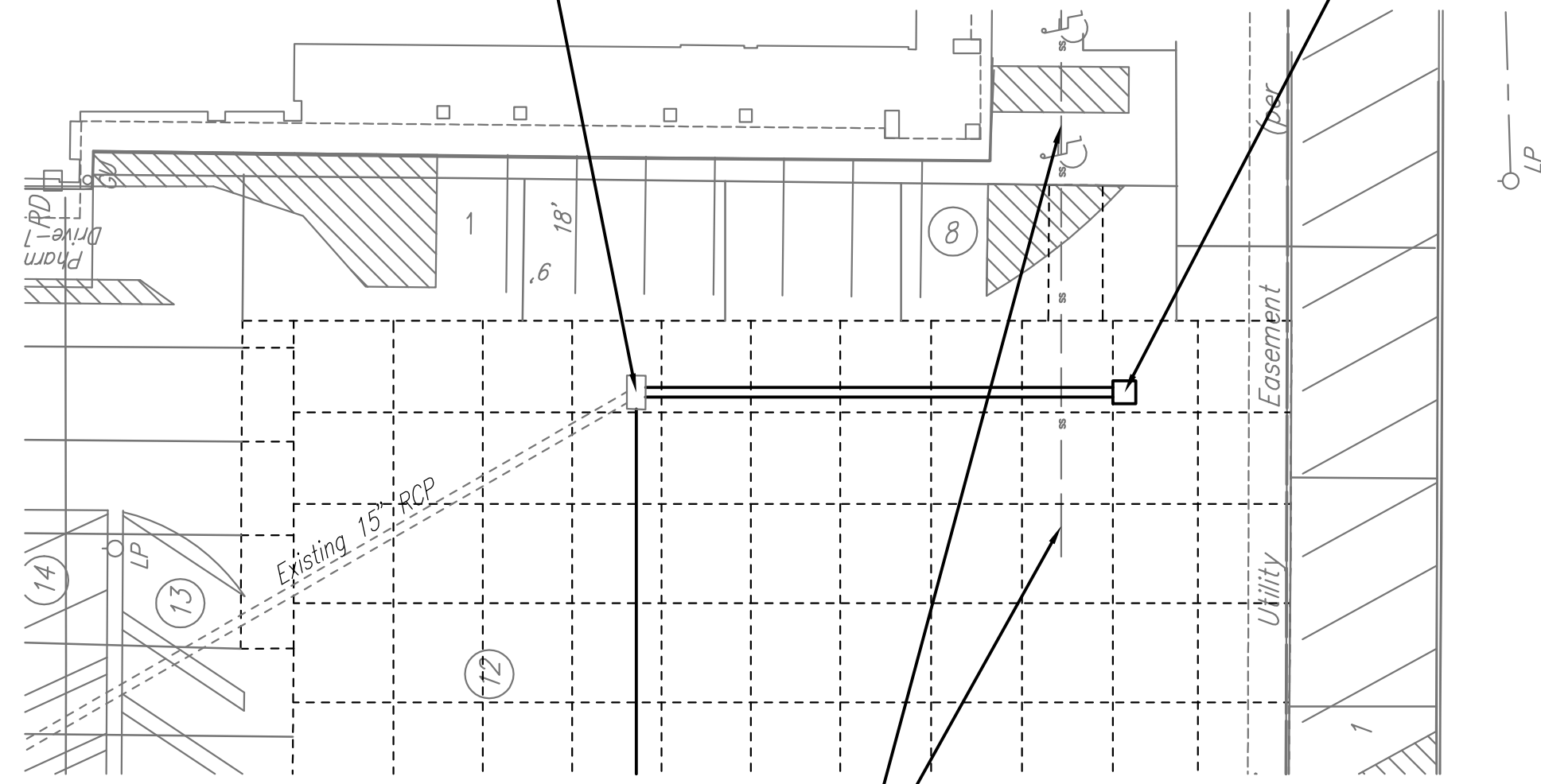
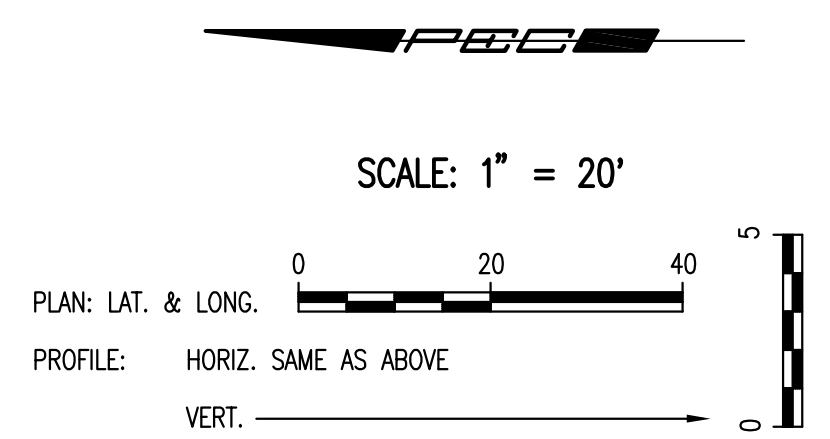


N: 10,084.6530, E: 10,212.1062
 Sta. 0+00.0 SWS Line No. 1
 Existing Area Inlet
 Begin 15" SWS Construction
 Install 63.9 L.F. 15" (S)

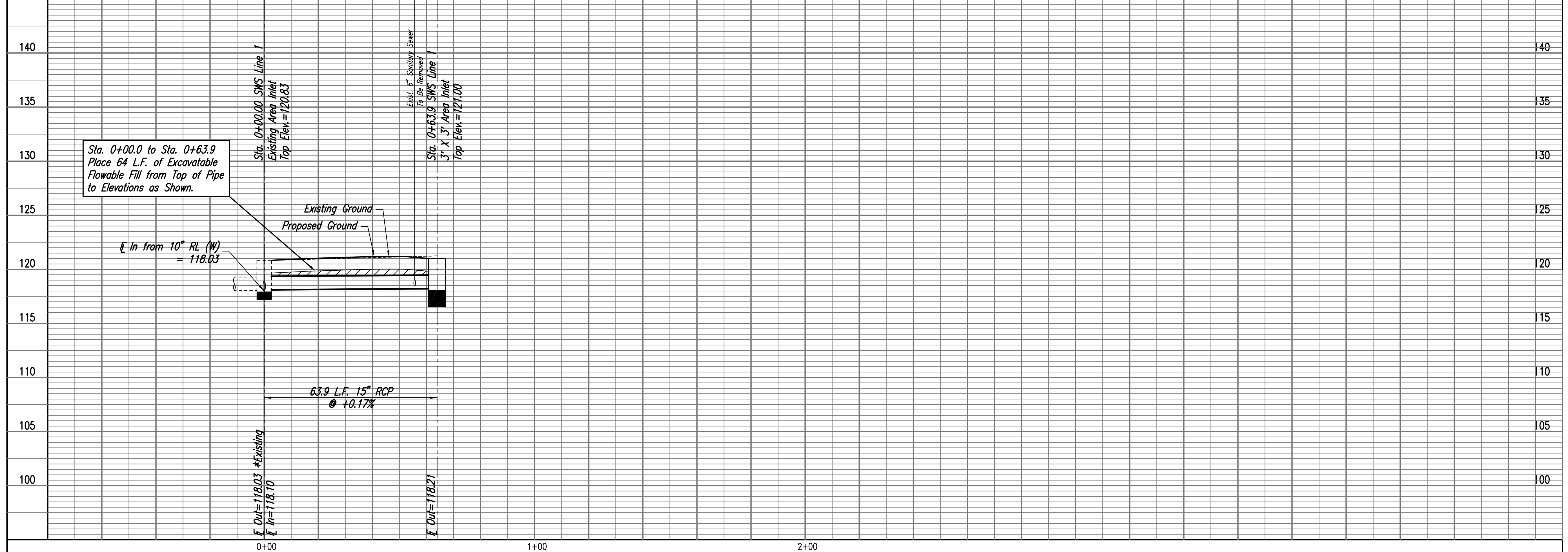
N: 10,020.7239, E: 10,212.1062
 Sta. 0+63.9 SWS Line No. 1
 Const. Std. Area Inlet
 3' X 3'
 See Sheet C8.5 for Details.



Existing Sanitary Sewer Line
 to be Abandoned and
 Removed Prior to
 Construction of Storm Sewer.



STORM SEWER LINE NO. 1



REVISIONS

No.	DESCRIPTION	DES. BY	DRAWN BY	DATE

Project #: 36-06742-092-0645
 Designed By: RMH
 Drawn By: AEE
 Checked By:
 Date: MARCH 2010
 Scale:
 Disk File:
 Model:
 Address: 640 N. WEST ST.
 DILLONS #92 WICHITA, KS

PLAN & PROFILE

Drawing No.: C8.4

DILLONS STORE #92 FUEL CENTER
 PRIVATE STORM WATER SEWER EXTENSION
 JAMES L. ARMOUR, P.E. - CITY ENGINEER
 CITY OF WICHITA PRIVATE PROJECT NO. 2038 PPS (607861)

Saved: 04-02-2010 10:28:10 AM by AEE
 Plot Scale: 1"=20' 04-02-2010 10:47:36 AM by AEE
 G:\2008\06742\092\06742-092-PPS\06742-092-C8-SWSP01

Professional Engineering Consultants, P.A.
 303 S. TOPKA - WICHITA, KANSAS 67202
 316.262.5651 • FAX 316.262.5652

Dillon Stores
 2700 East Fourth
 Wichita, KS 67201
 Phone (316) 666-5511
 Fax (316) 393-0044

The Kroger Co.
 980 Quaker Street, Suite 210
 Wichita, KS 67201
 Phone (303) 393-4127
 Fax (303) 393-0044