

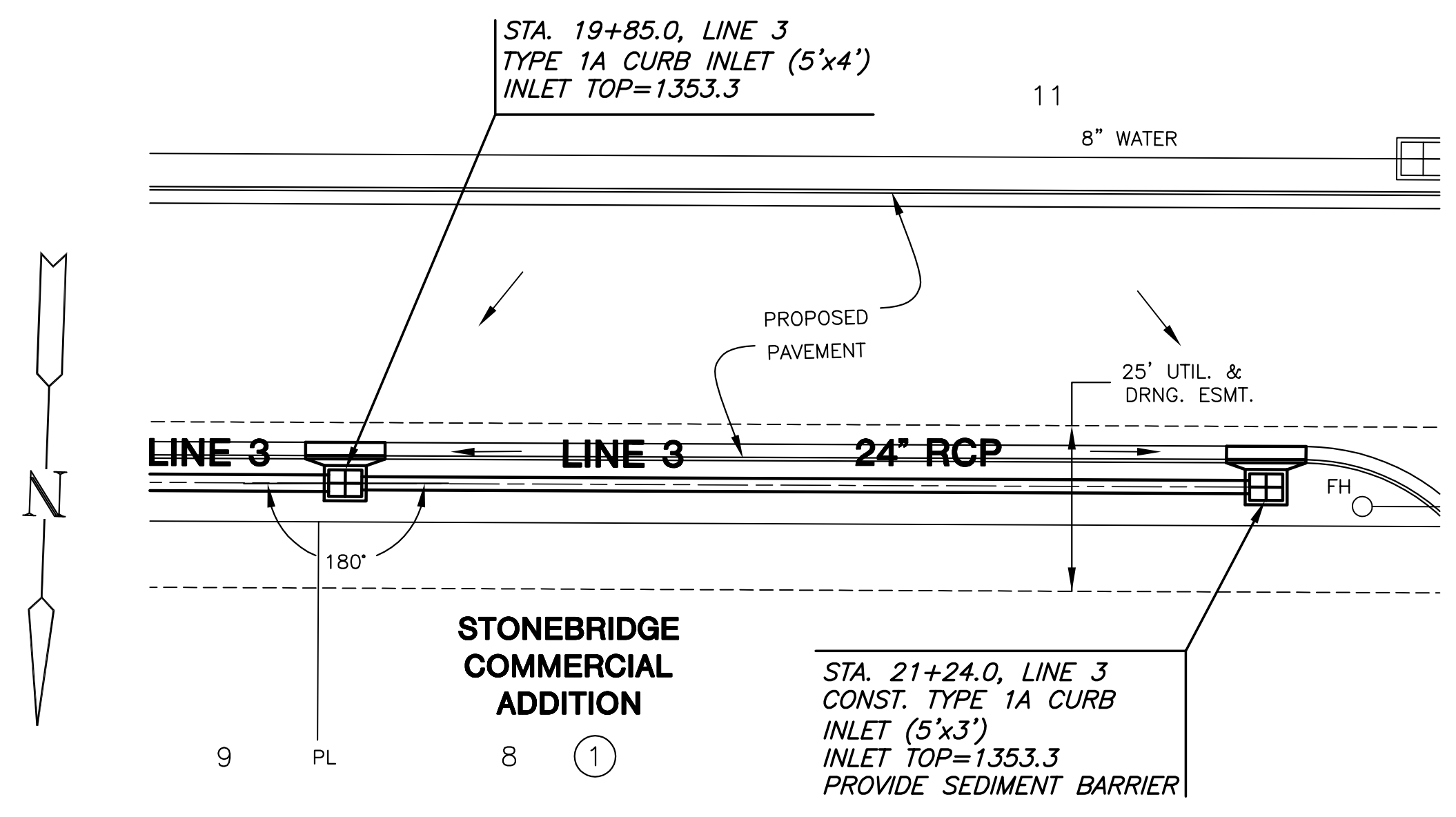
**STORM WATER SEWER PLANS TO SERVE
MENARDS - WEST WICHITA, KS
STONEBRIDGE COMMERCIAL ADDITION**

**SWS
PLAN & PROFILE
LINES 3,
3A AND 3B**
SHEET TITLE
08626
PROJECT NUMBER

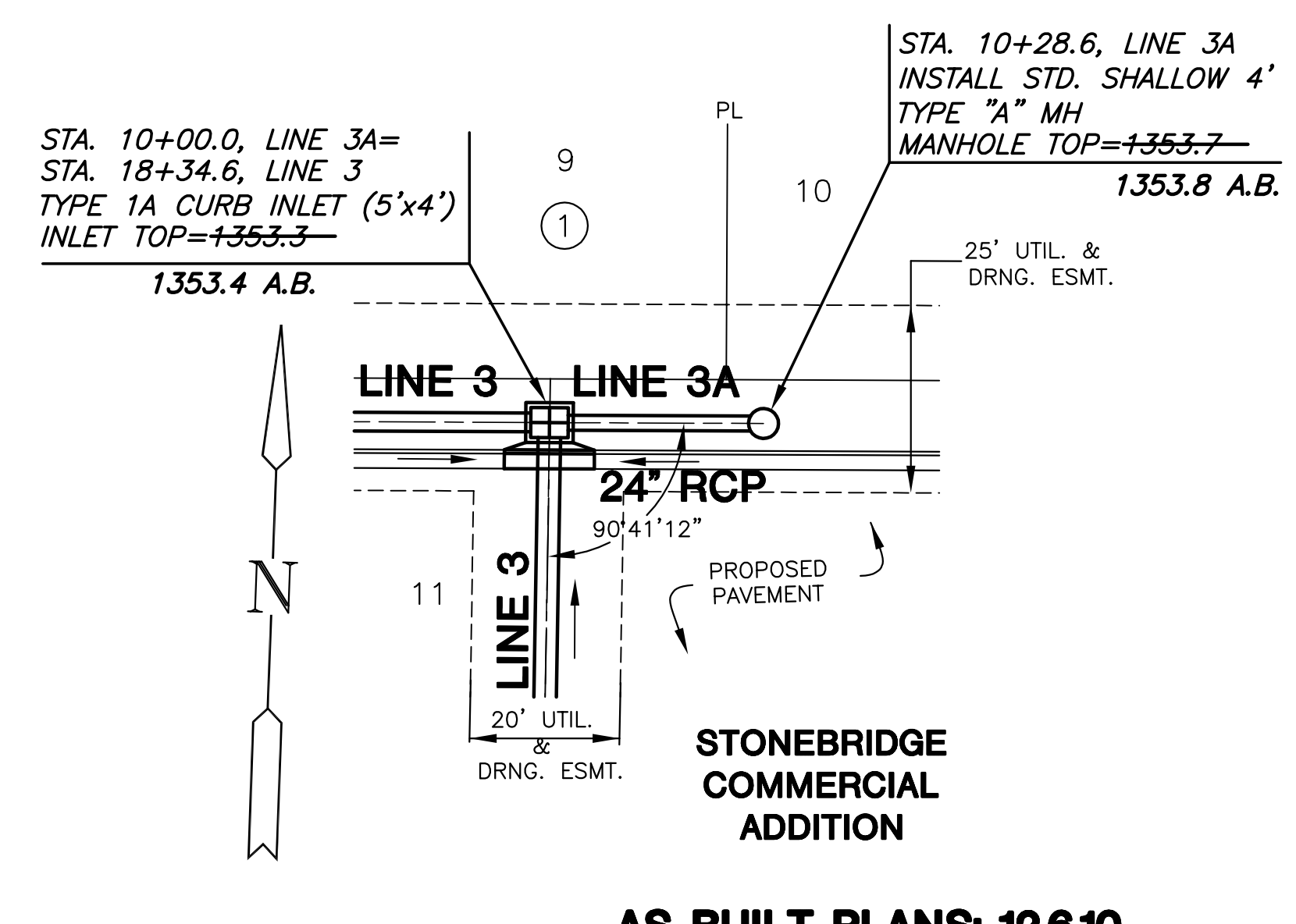
DESIGN BY: MB
DRAWN BY: JWC
CHECKED BY: GJA

ISSUED: CONSTRUCTION
5-04-10
REVISED: AS BUILT
12-06-10

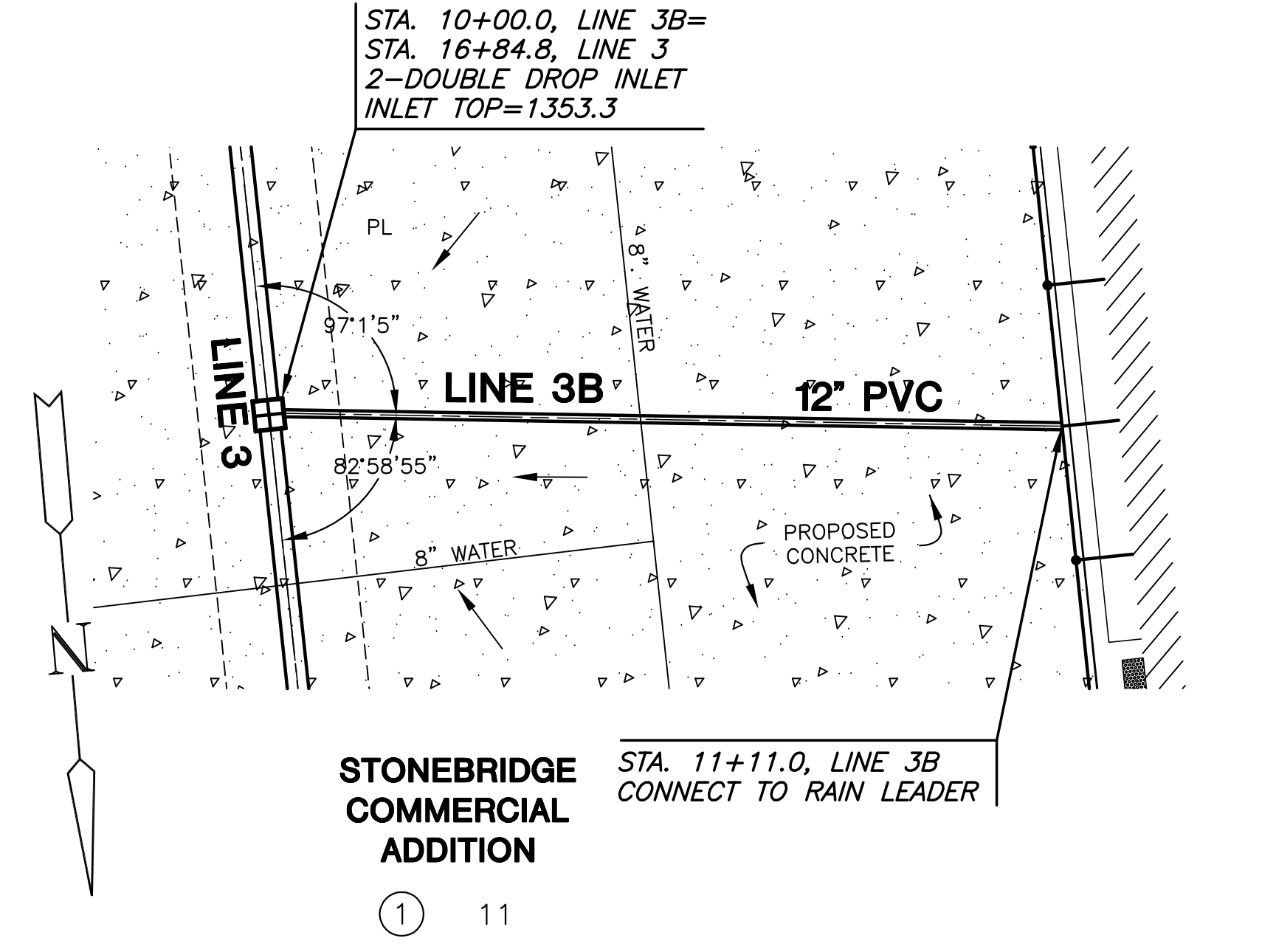
SHEET NO.
25 of 45



PLAN LINE 3

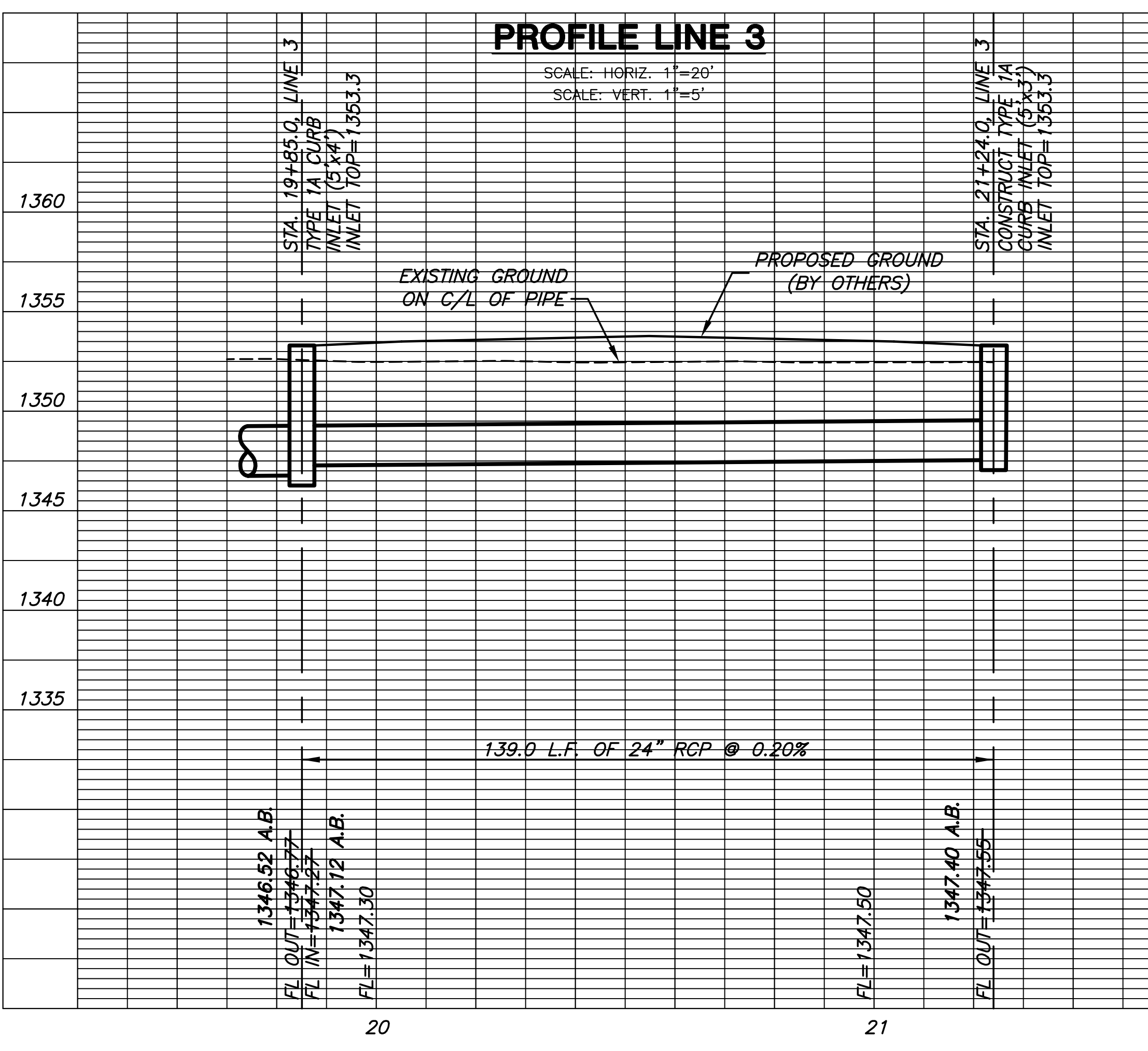


PLAN LINE 3A

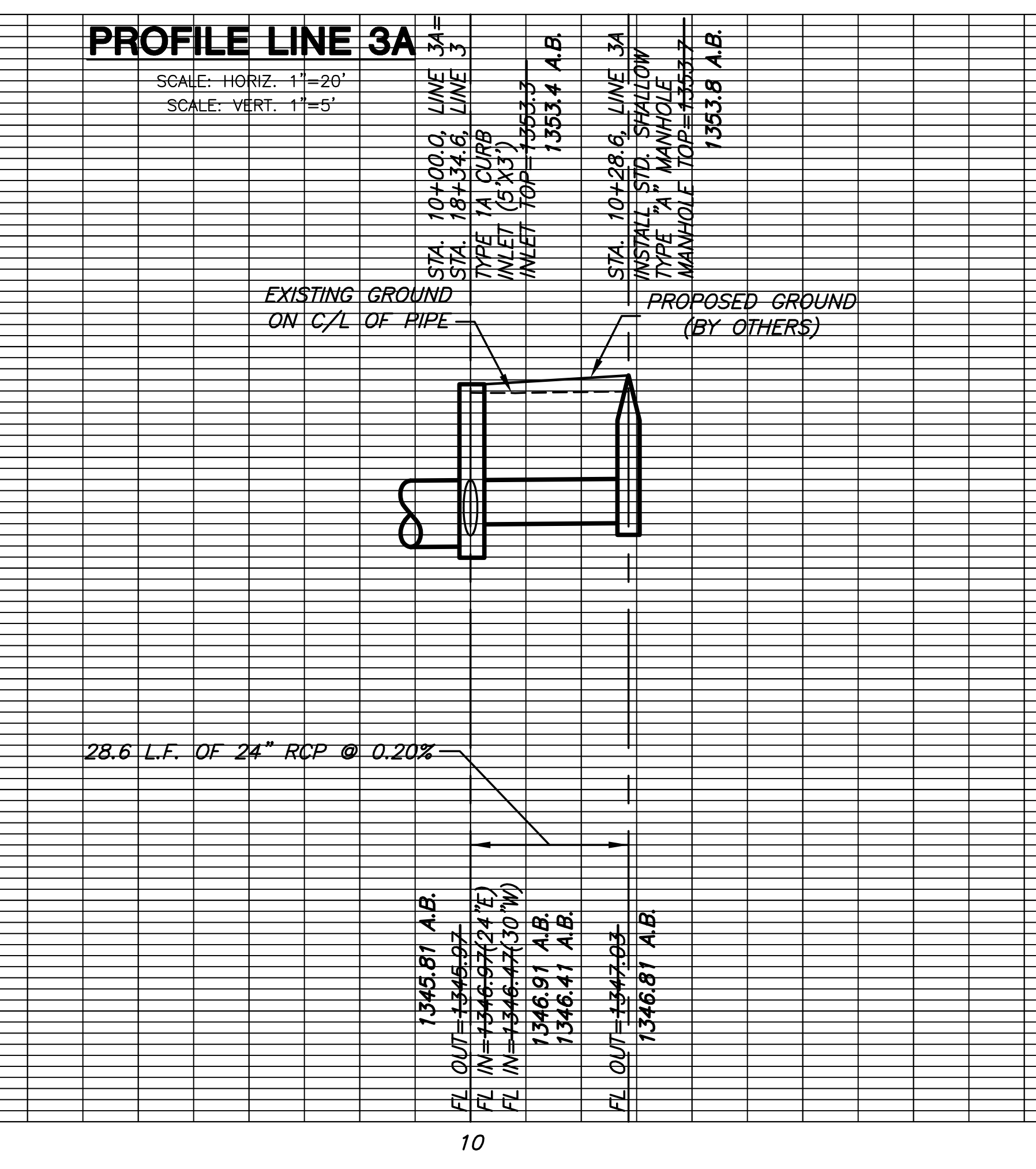


PLAN LINE 3B

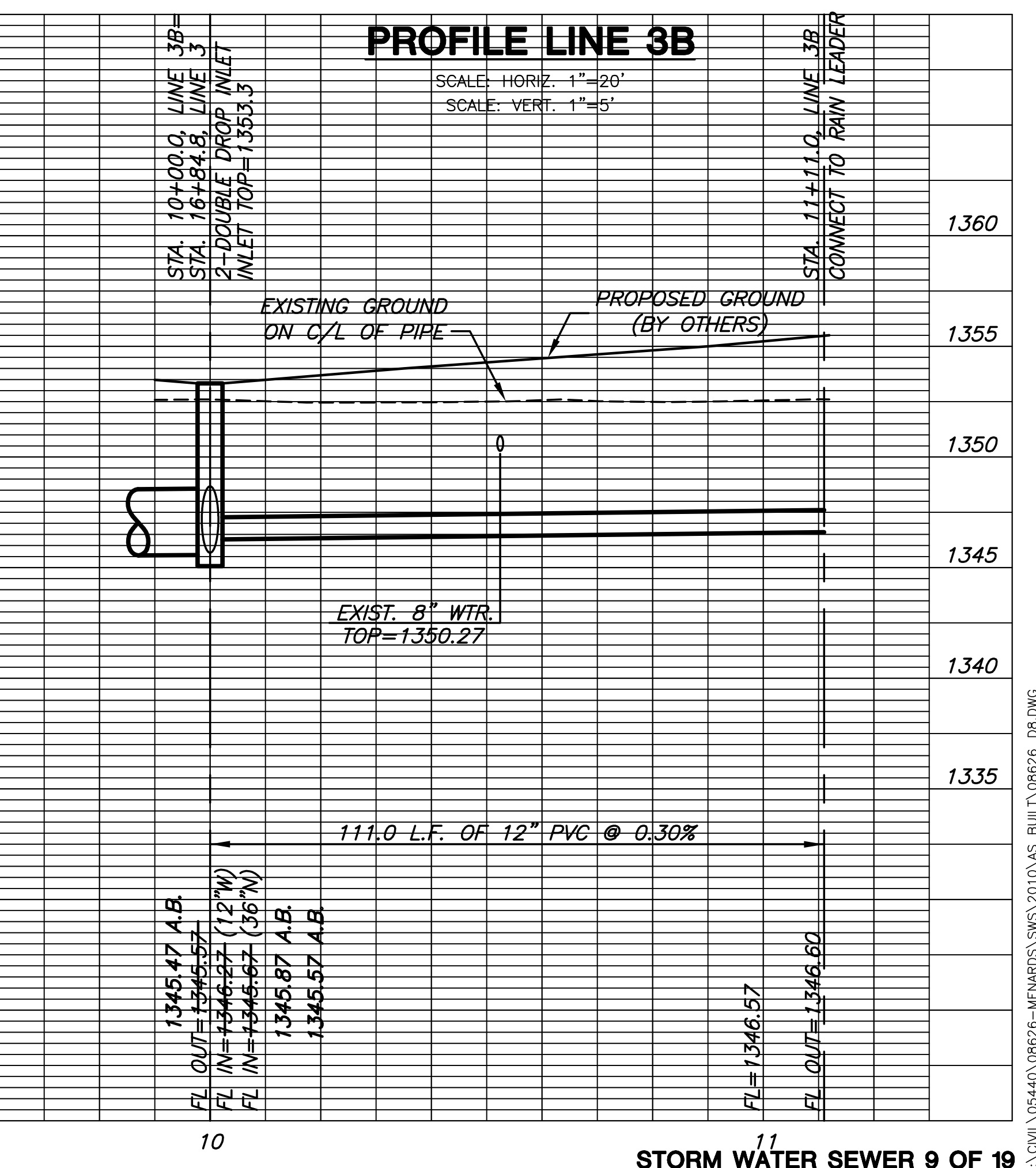
AS BUILT PLANS: 12.6.10
INSPECTED BY: MIKE VANDECREEK, MKEC
ENGINEERING CONSULTANTS, INC
CONSTRUCTED BY: DULING CONSTRUCTION
CO., INC.



PROFILE LINE 3



PROFILE LINE 3A



PROFILE LINE 3B