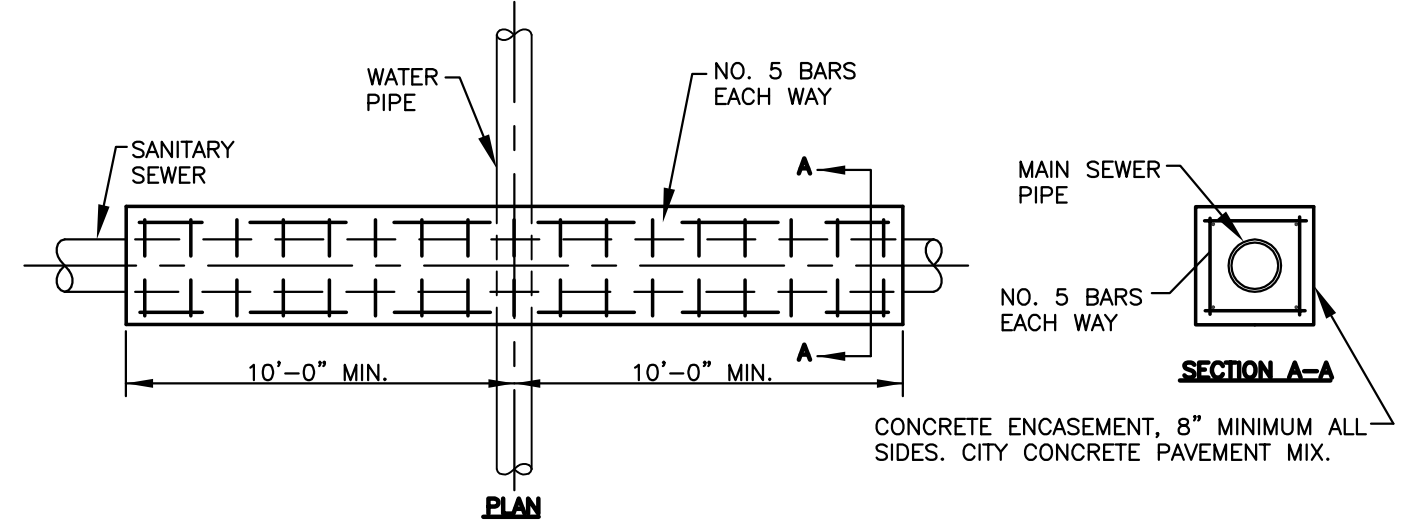


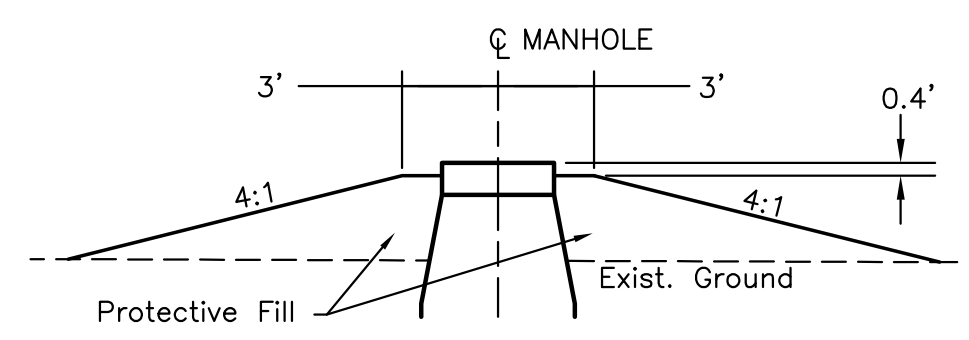
NOTES:
 1. CONTRACTOR TO VERIFY DEPTH & LOCATION OF EXISTING UTILITIES AND SANITARY LINES PRIOR TO CONSTRUCTION.
 2. IF SANITARY SEWER MANHOLES INSTALLED PRIOR TO FILL PLACEMENT, CONTRACTOR TO PLACE PROTECTIVE FILL AS PER CITY OF WICHITA STANDARD SPECIFICATIONS.

6" CLEAN OUT BY PLUMBING CONTRACTOR

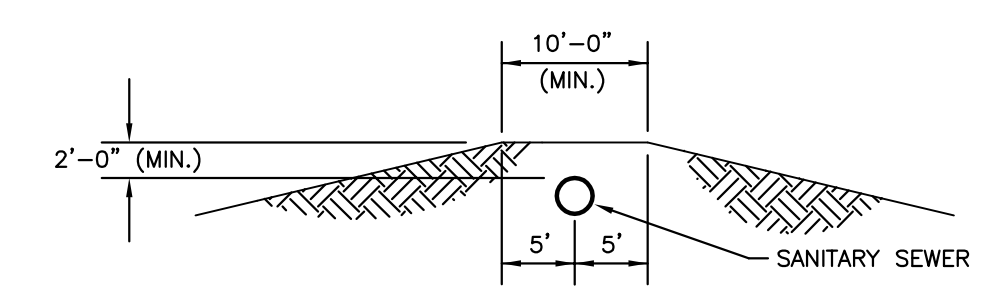
NOTE:
 REFERENCE MECHANICAL PLANS FOR LOCATION & ELEVATION OF SEWER INTO THE BUILDING



TYPICAL SANITARY SEWER ENCASEMENT DETAIL
 NO SCALE

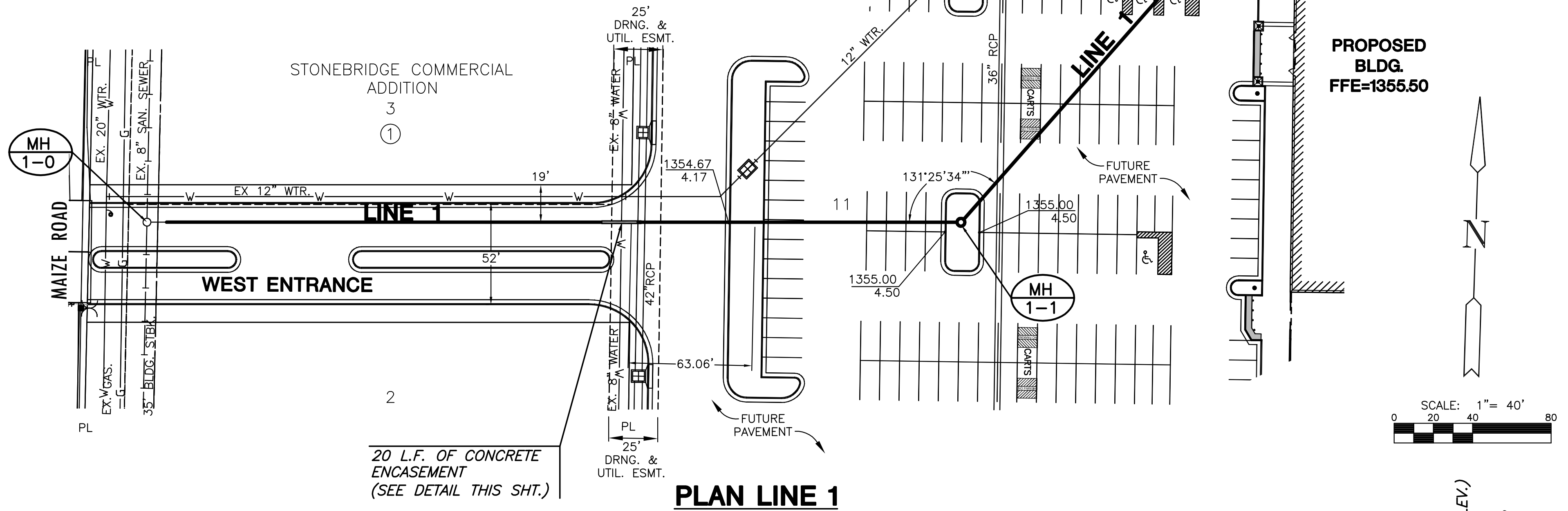


MANHOLE MOUNDING DETAIL
 NO SCALE

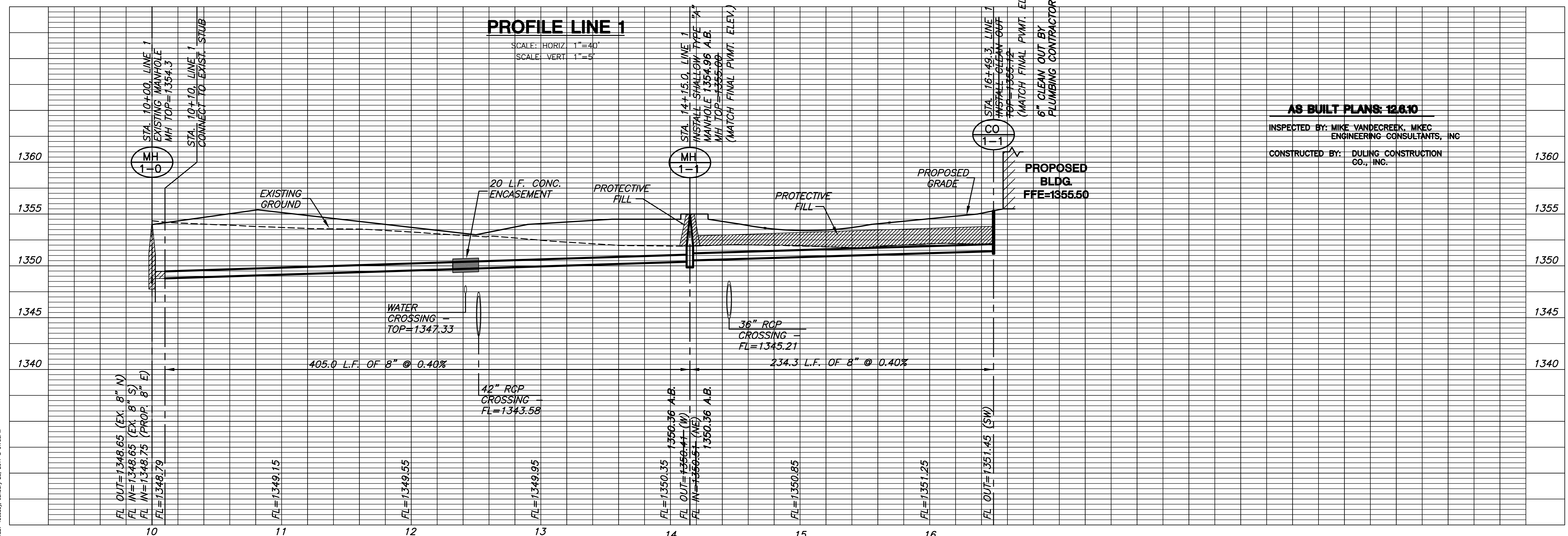


PROTECTIVE FILL DETAIL

MINIMUM PROTECTIVE FILL SHALL BE PROVIDED IN ALL INSTANCES WHERE COVER OVER THE PROP. WATER LINE IS LESS THAN (2) FEET. (COST SUBSIDIARY TO PIPE INSTALLATION)



PLAN LINE 1



PROFILE LINE 1
 SCALE: HORIZ 1"=40'
 SCALE: VERT 1"=5'

AS BUILT PLANS 12.6.10

INSPECTED BY: MIKE VANDECREEK, MKEC ENGINEERING CONSULTANTS, INC

CONSTRUCTED BY: DULING CONSTRUCTION CO., INC.

PLOTTED: Tuesday, January 25, 2011 @ 01:58PM

J:\CIVIL\05440\08626-MENARDS-SAN-AS-BUILT\08626_B1.DWG

MKEC
 ENGINEERING
 CONSULTANTS, INC.
 411 N. WEBB ROAD
 WICHITA, KS. 67206
 316-684-9600

PRIVATE SANITARY SEWER PLANS FOR
MENARDS - WEST WICHITA, KS
 STONEBRIDGE COMMERCIAL ADDITION

SANITARY SEWER PLAN & PROFILE
 SHEET TITLE
 PROJECT NUMBER
 08626

DESIGN BY: DACR
 DRAWN BY: DACR
 CHECKED BY: MAB

ISSUED: AS BUILT 12-06-10
 REVISED:

SHEET NO.
 37 of 45