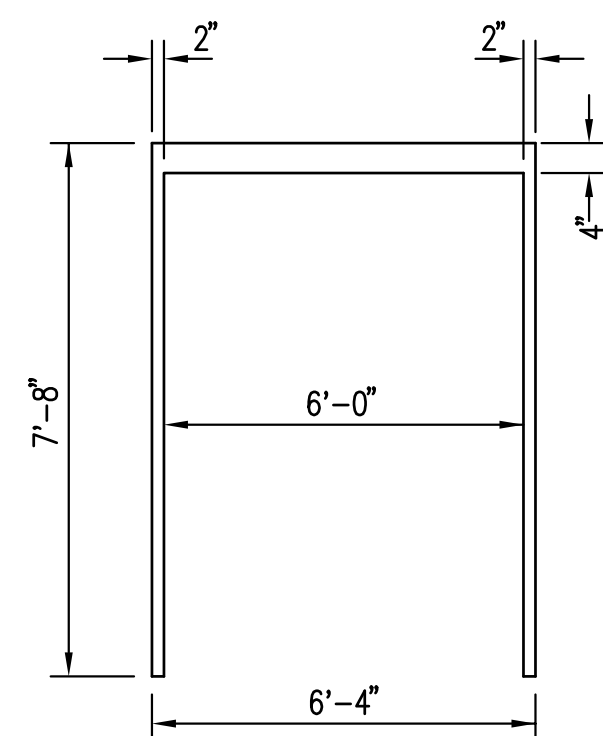


DOOR SCHEDULE

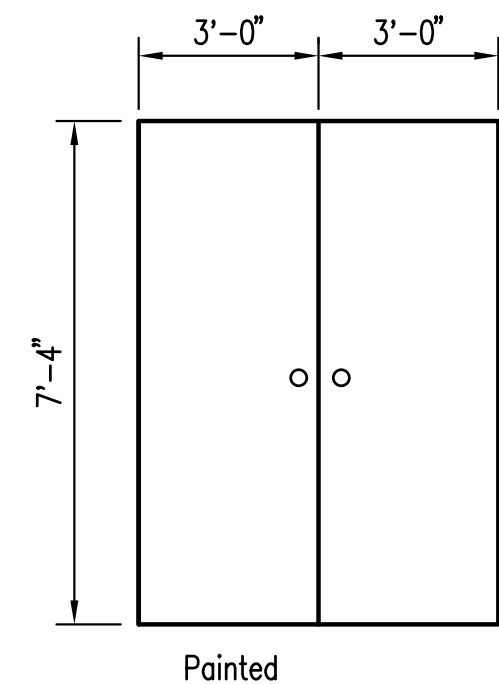
DOOR SIZE	DOOR MATERIAL	FINISH	FRAME TYPE	REMARKS
3'-0" x 7'-0"	HOLLOW METAL INSULATED	EPOXY	HOLLOW METAL	FINISH PER SPECIFICATION SECTION 09960, PART 2.3 COATING SYSTEMS FOR GALVANIZED STEEL AND NONFERROUS METAL-INTERIOR OR EXTERIOR

DOOR HARDWARE (SINGLE DOOR)

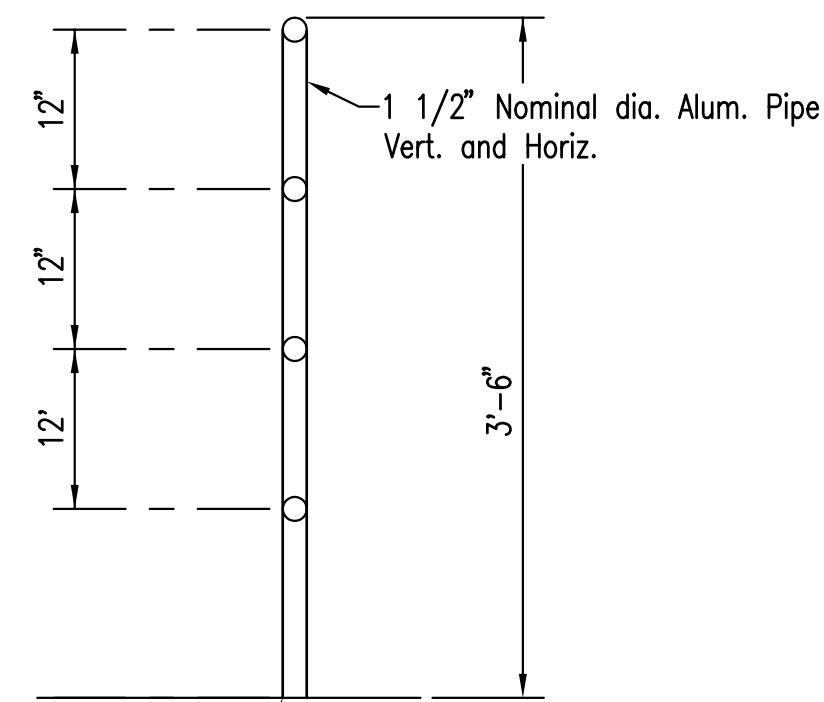
6- HINGES	BUTTS FBB191 4 1/2 x 4 1/2 - NRP	STANLEY
2- LOCKSET	1- LOCKSET	SCHLAGE LOCK
2- BOLTS	1- BOLTS	GLYNN-JOHNSON CORP.
2- DOOR CLOSER	411-H-CUSH-689XSRI	LCN
1- THRESHOLD	171A-72"	PEMCO
1- DOOR BOTTOM	18062CP-72"	PEMCO
1- ROLL GASKETING	S88D-20'-0"	PEMCO
1- RAIN DRIP	34GC-76"	PEMCO
1- DOOR STOP	FS544	IVES



DOOR FRAME TYPE



DOOR TYPE



Ref. Specifications for Installation

HANDRAIL DETAIL
NOT TO SCALE

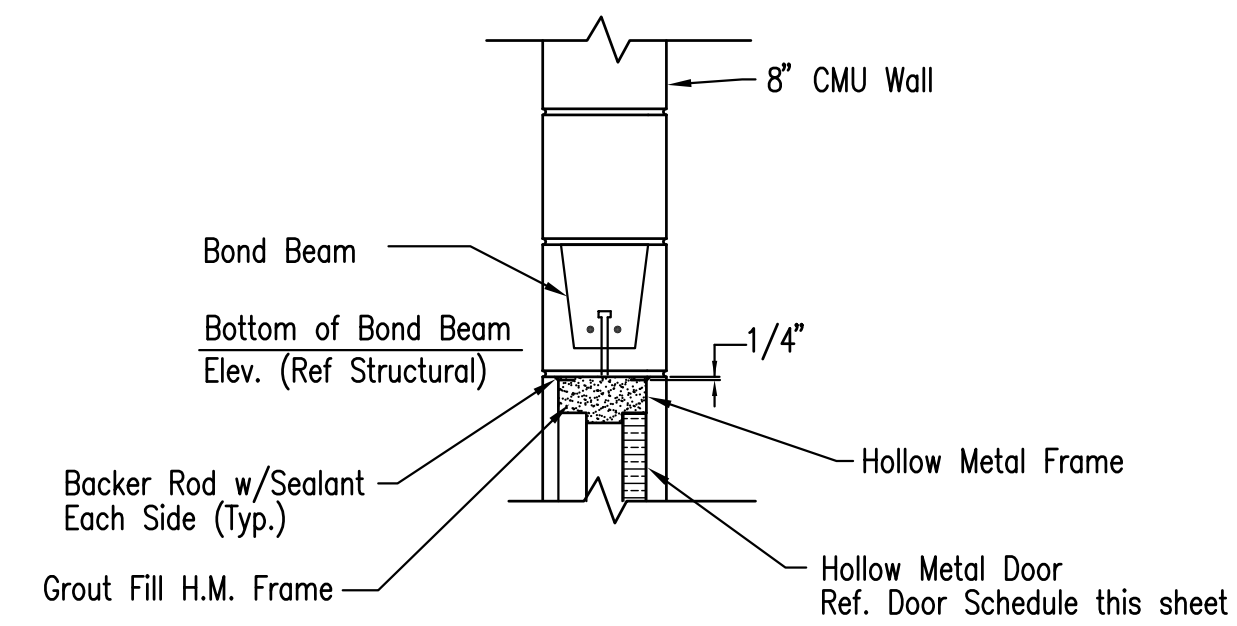
FINISH SCHEDULE

LOCATION	FLOOR	INT. WALLS	EXT. WALLS	CEILING	MISC. STEEL	EQUIPMENT	PIPING
WETWELL							
PUMP STATION	X	X	X	*			

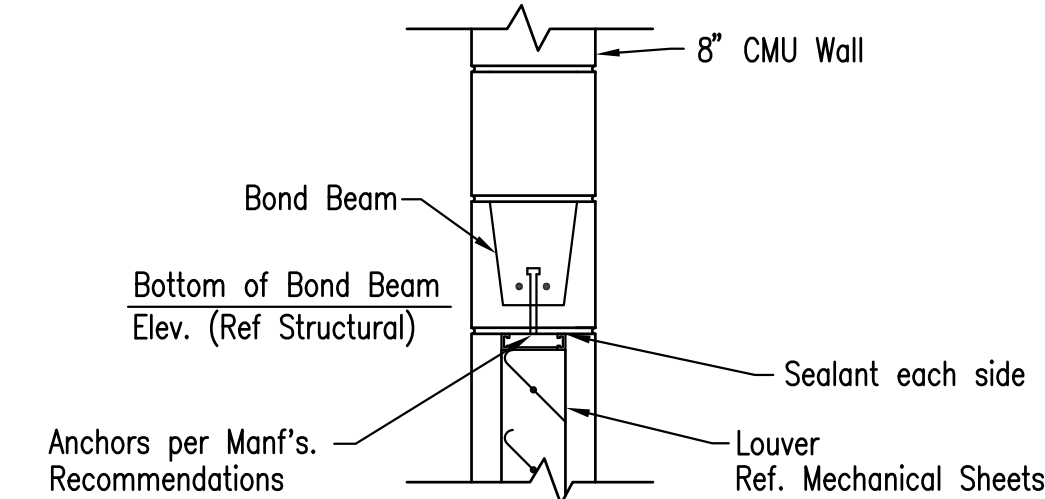
* CEILING TO BE PRE-FINISHED METAL PANELS PER SHEET 44.

GENERAL NOTES:

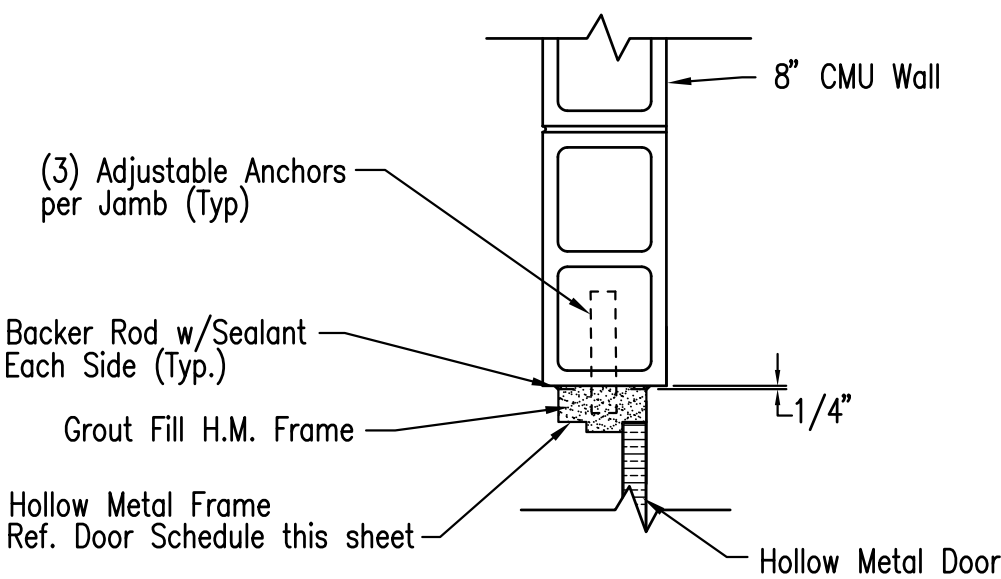
- COATINGS IN CONTACT WITH POTABLE WATER MUST COMPLY WITH AWWA AND NSF.
- STEEL DESIGNATION INCLUDES STRUCTURAL, TANKS, PIPE AND EQUIPMENT.
- SURFACES NOT TO BE PAINTED: ALUMINUM, GALVANIZED, FIBERGLASS, INSULATED PIPE & STAINLESS STEEL.



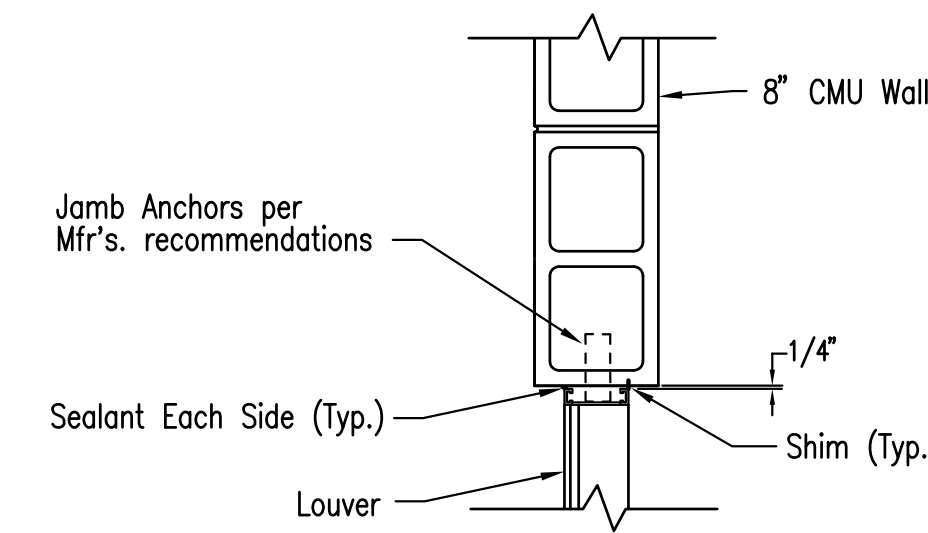
1 HEAD
45



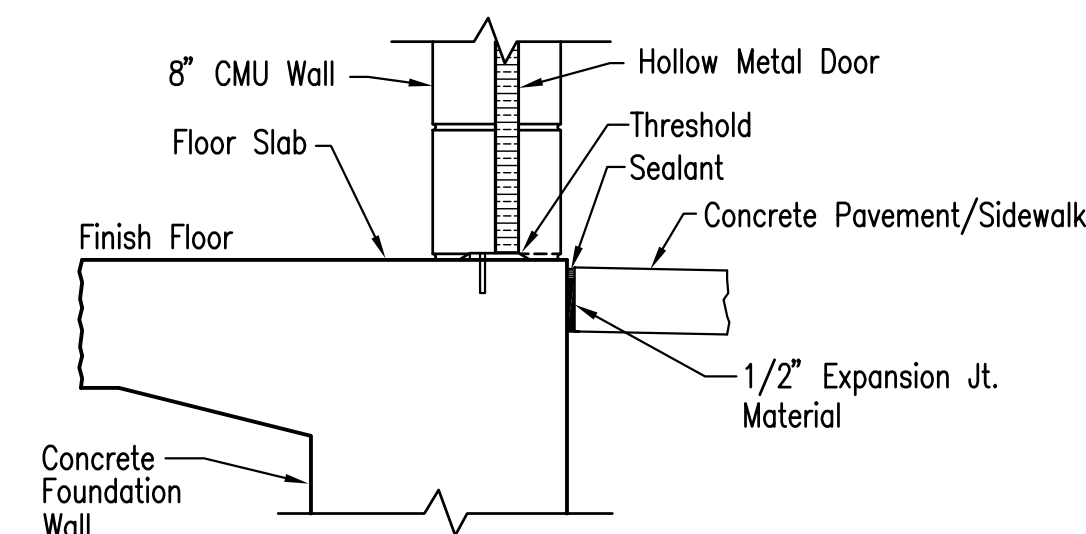
4 HEAD
45



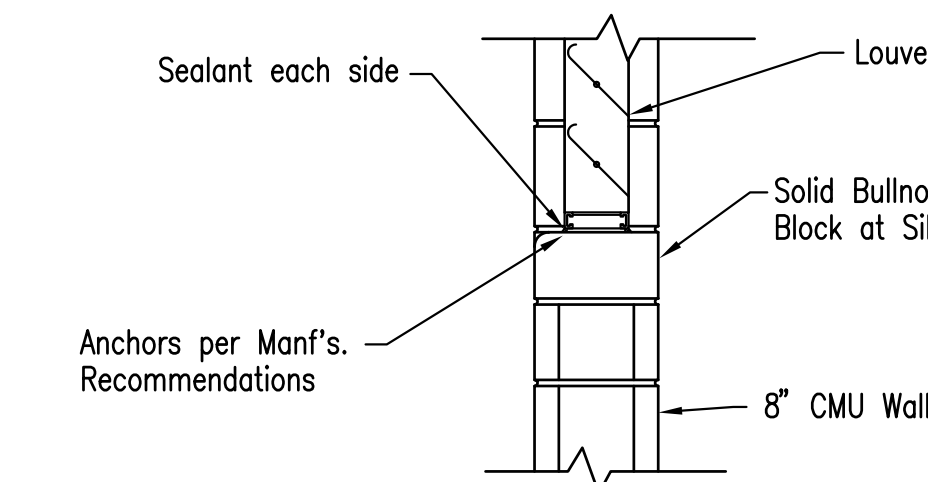
2 JAMB
45



5 JAMB
45



3 THRESHOLD
45



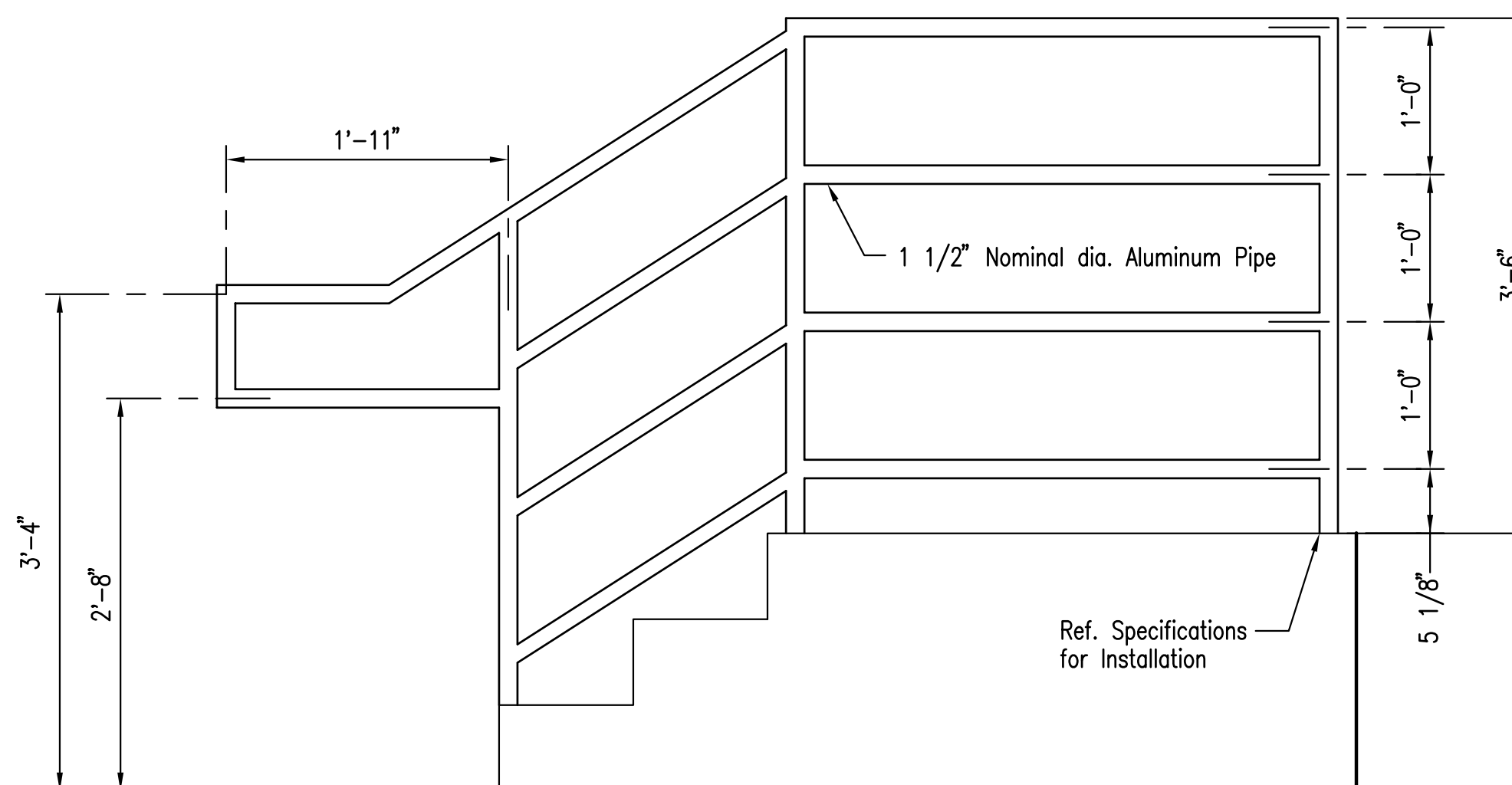
6 SILL
45

EXTERIOR DOOR DETAILS

1" = 1'-0"

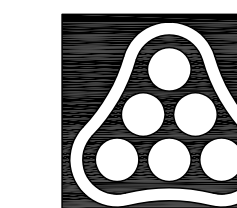
LOUVER DETAILS

1" = 1'-0"



HANDRAIL DETAIL
NOT TO SCALE

Sheet 09-29-2009 11:33:48 AM by CAE
 Plot Scale 1:1 09-29-2009 1:52:01 PM
 O:\2004\04274\004\WESTY\RE-Bldg\04274-004-C-45-Ext-BldgDetail



No.	Revision	By	Date
PHASE II - STORM WATER DRAIN #332 EAST PUMP STATION BUILDING DETAILS JAMES L. ARMOUR, P.E. - CITY ENGINEER CITY OF WICHITA PROJECT NO. 468-84396 Professional Engineering Consultants, P.A. 303 S. TOPEKA • WICHITA, KANSAS 67202 316-262-2691 • FAX 316-262-3003			
Designed by	EJJ, SCU	Job No.	35-04274-042
Drawn by	CAE	Date	SEPTEMBER 2009