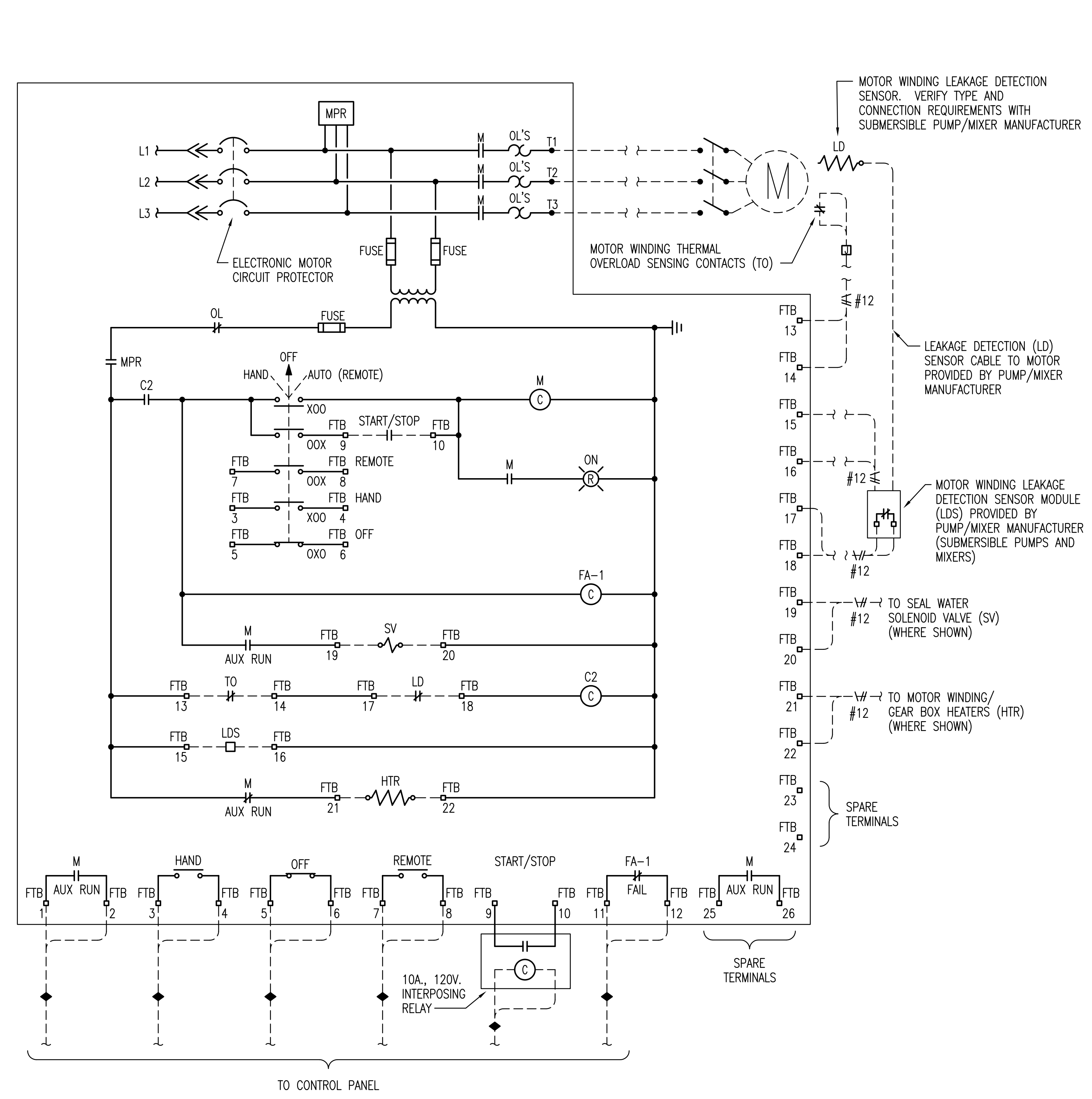


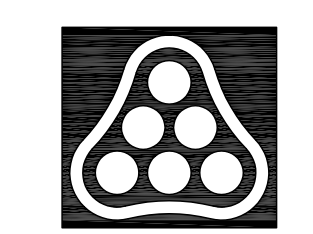
1 TYPICAL REDUCED VOLTAGE AUTO-TRANSFORMER MOTOR STARTER WIRING DIAGRAM
NO SCALE



2 TYPICAL ACROSS-THE-LINE MOTOR STARTER WIRING DIAGRAM
NO SCALE

- NOTES:
- WHEN STARTER IS LOCATED IN A MOTOR CONTROL CENTER, ALLOW AN ADDITIONAL 3" OF HEIGHT PER STARTER FOR THE RELAYS.
 - ALL STARTERS SHOWN IN PROCESS EQUIPMENT CONNECTION SCHEDULES SHALL BE PROVIDED WITH THE RELAYS AND EQUIPMENT AS SHOWN IN THIS DIAGRAM.
 - IF MECHANICAL EQUIPMENT IS CONTROLLED BY THE SCADA SYSTEM, ALL STARTERS SHOWN IN MECHANICAL EQUIPMENT CONNECTION SCHEDULES SHALL BE PROVIDED WITH THE RELAYS AND EQUIPMENT AS SHOWN IN THIS DIAGRAM.

Saved: 09-25-2009 10:29:05 AM by NSM
 Plot Scale: 1:24 09-29-2009 1:33:50 PM
 \\net\local\is\local_data\drawings\09252009\04274\04274.dwg (4274-04) - EAST - STARTER DIAGRAM by CAE



No.	Revision	By	Date
PHASE II - STORM WATER DRAIN #332 ELECTRICAL STARTER WIRING DIAGRAMS EAST PUMP STATION JAMES L. ARMOUR, P.E. - CITY ENGINEER CITY OF WICHITA PROJECT NO. 468-84396 Professional Engineering Consultants, P.A. 303 S. TOPEKA • WICHITA, KANSAS 67202 316-262-2691 • FAX 316-262-3003			
Designed by	RDB	Job No.	35-04274-042
Drawn by	NSM	Date	SEPTEMBER 2009