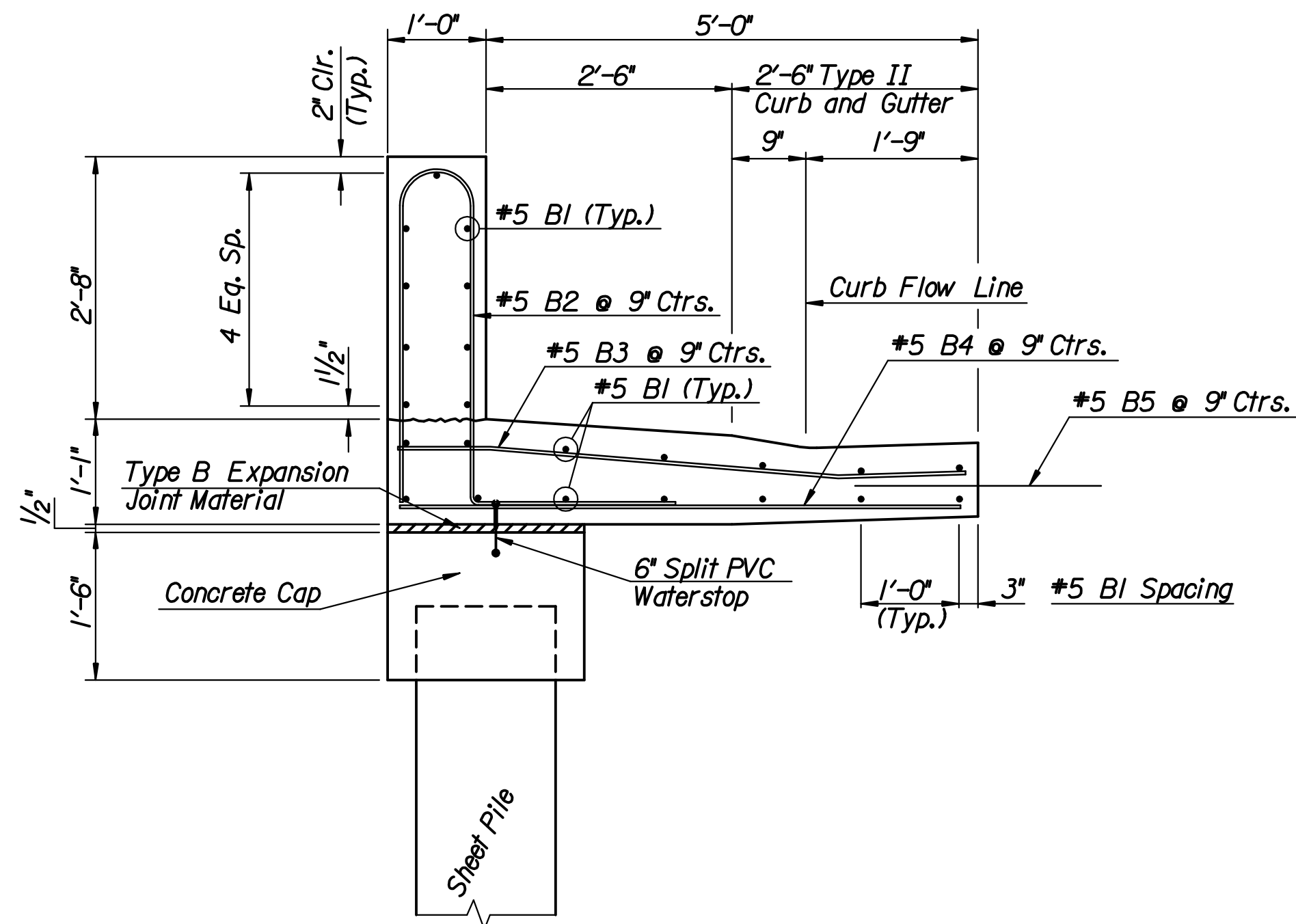


BARRIER AND CAP SECTION

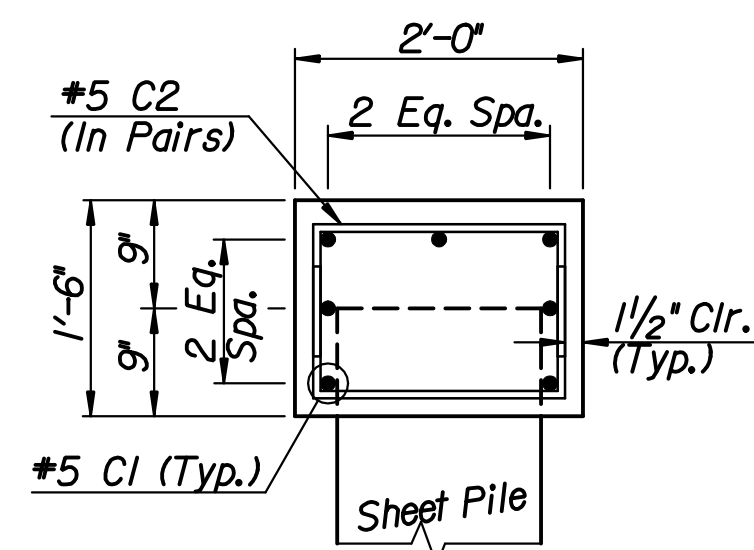


BARRIER SECTION

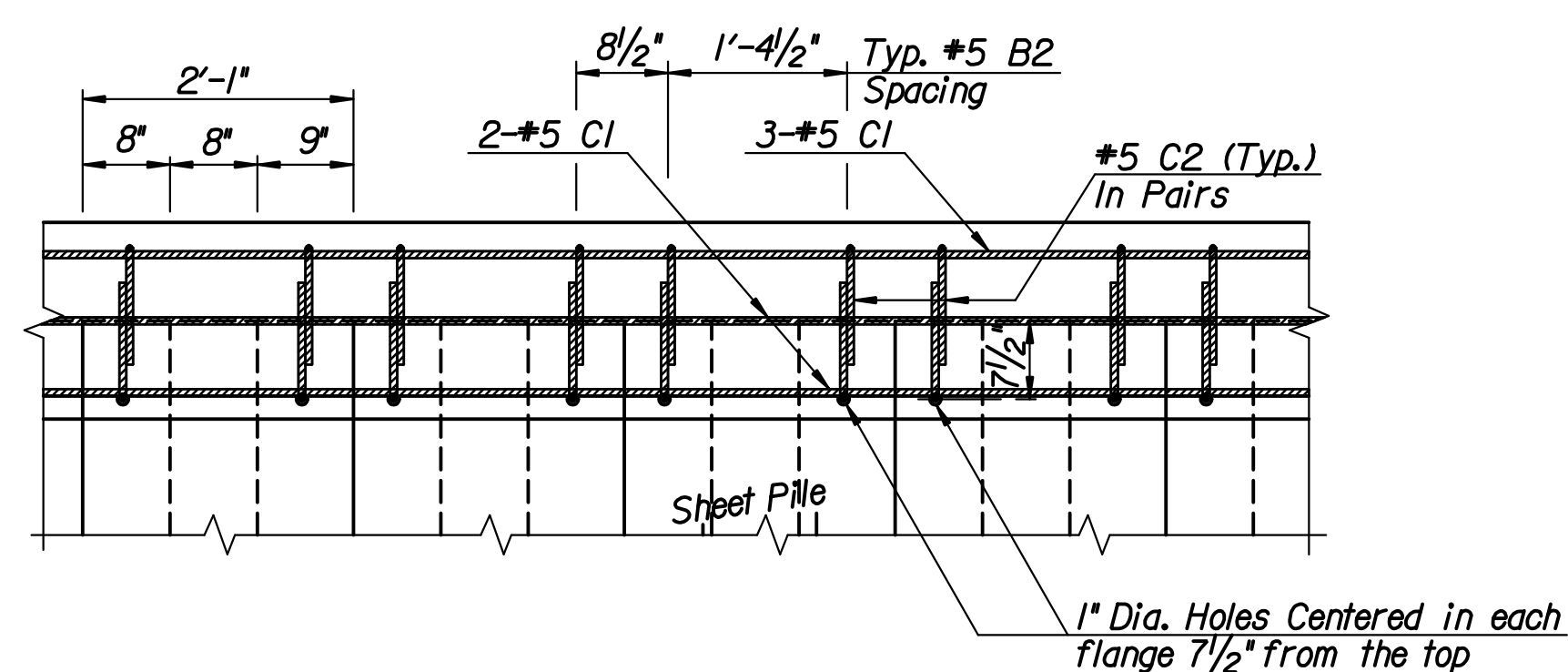
BILL OF MATERIALS				
REINFORCING STEEL				
Mark	No.	Size	Length	Shape
B1	115	#5	51'-7"	Str.
B2	334	#5	8'-7"	Bent
B3	334	#5	5'-9"	Bent
B4	334	#5	5'-8"	Str.
B5	334	#5	3'-0"	Str.
C1	35	#5	51'-7"	Str.
C2	496	#5	3'-9"	Bent

* SUMMARY OF QUANTITIES		
Item	Total	Unit
Concrete (Grade 4.0) (AE)	103.1	Cu. Yds.
Reinforcing Steel (Epoxy Coated) (Grade 60)	18,025	Lbs.

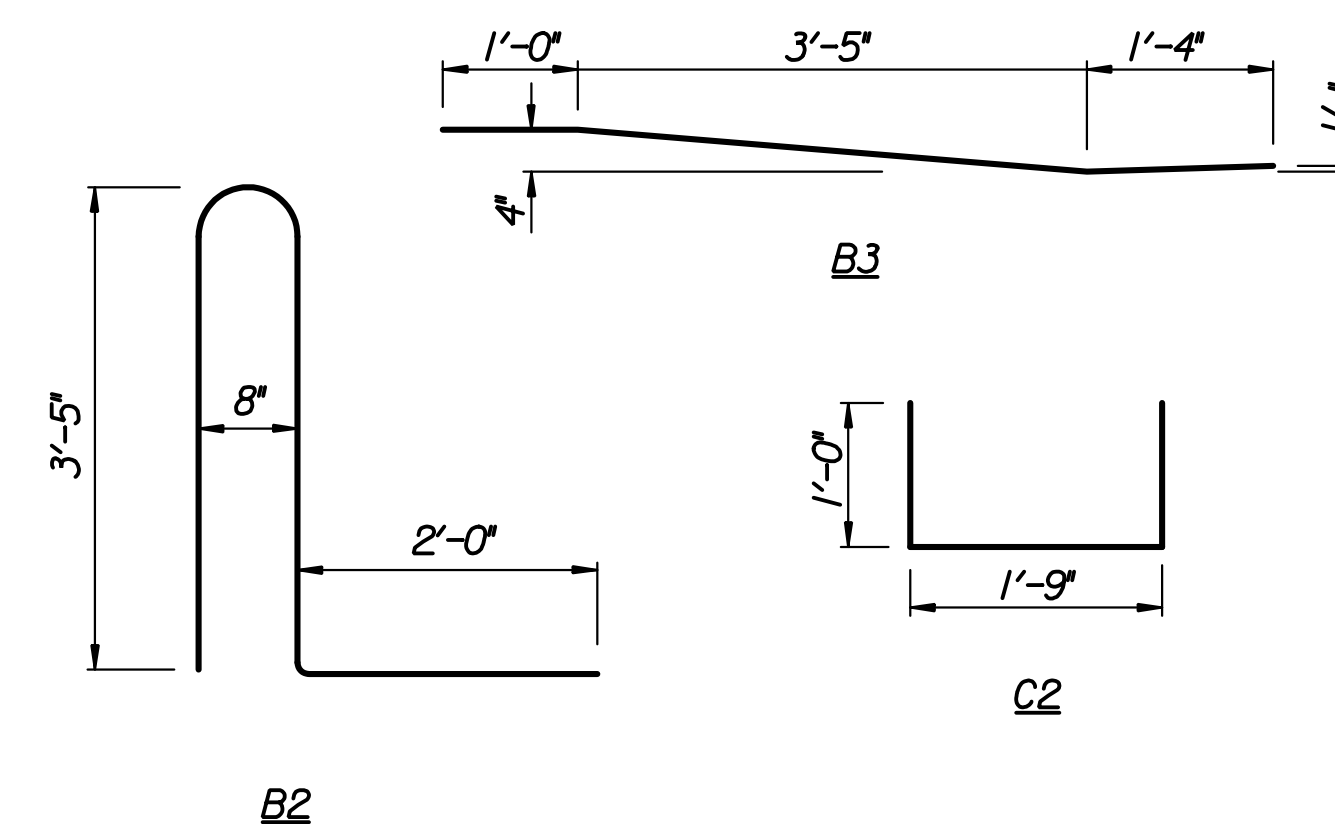
* For information only.



CONCRETE CAP SECTION



CONCRETE CAP ELEVATION



BENDING DIAGRAMS

Plotted By: \$\$\$USERNAME\$\$\$ Plotted: \$\$\$SYTIME\$\$\$
 File: \$\$\$DGNPEC\$\$\$

No.	Revision	By	Date
HEARTLAND PREPAREDNESS CENTER PAVING AND DRAINAGE IMPROVEMENTS BARRIER AND CAP DETAILS JAMES L. ARMOUR, P.E. - CITY ENGINEER CITY OF WICHITA PROJ. NO. 472-84898 Professional Engineering Consultants, P.A. 303 S. TOPEKA • WICHITA, KANSAS 67202 316-262-2691 • FAX 316-262-3003			
Designed by	RJM	Job No.	35-09307
Drawn by	RJM	Date	December 2009

Sheet 22 of 59