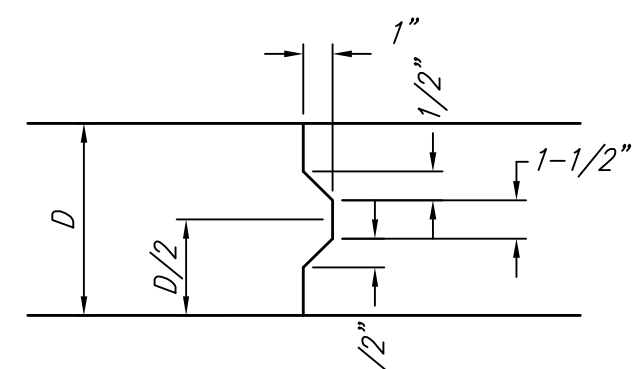
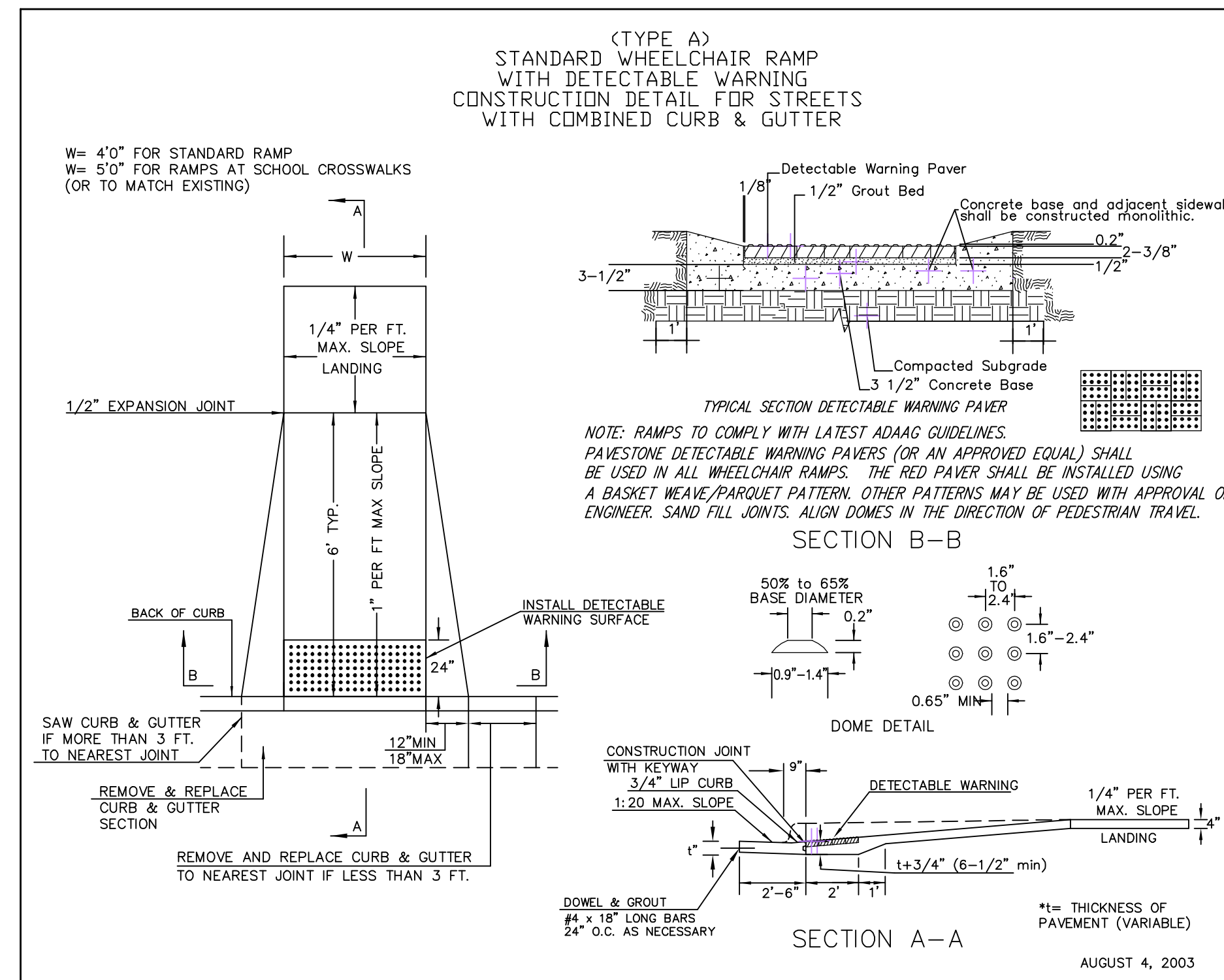


EXPANSION JOINT

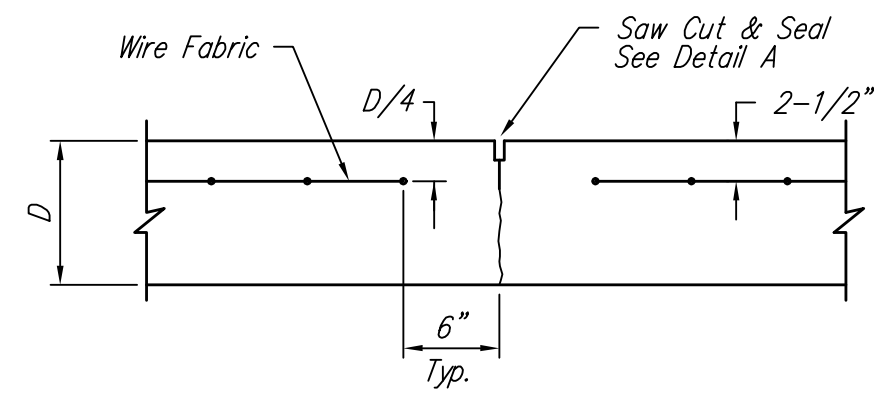
NOTE: Extra Thickness to be Subsidiary to Price of Square Yards Pavement



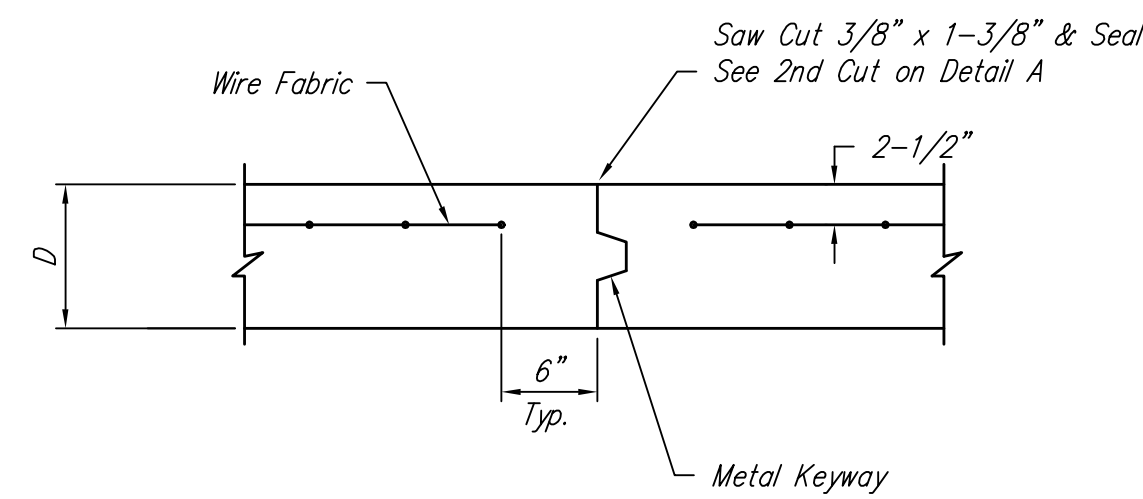
KEYWAY DETAIL



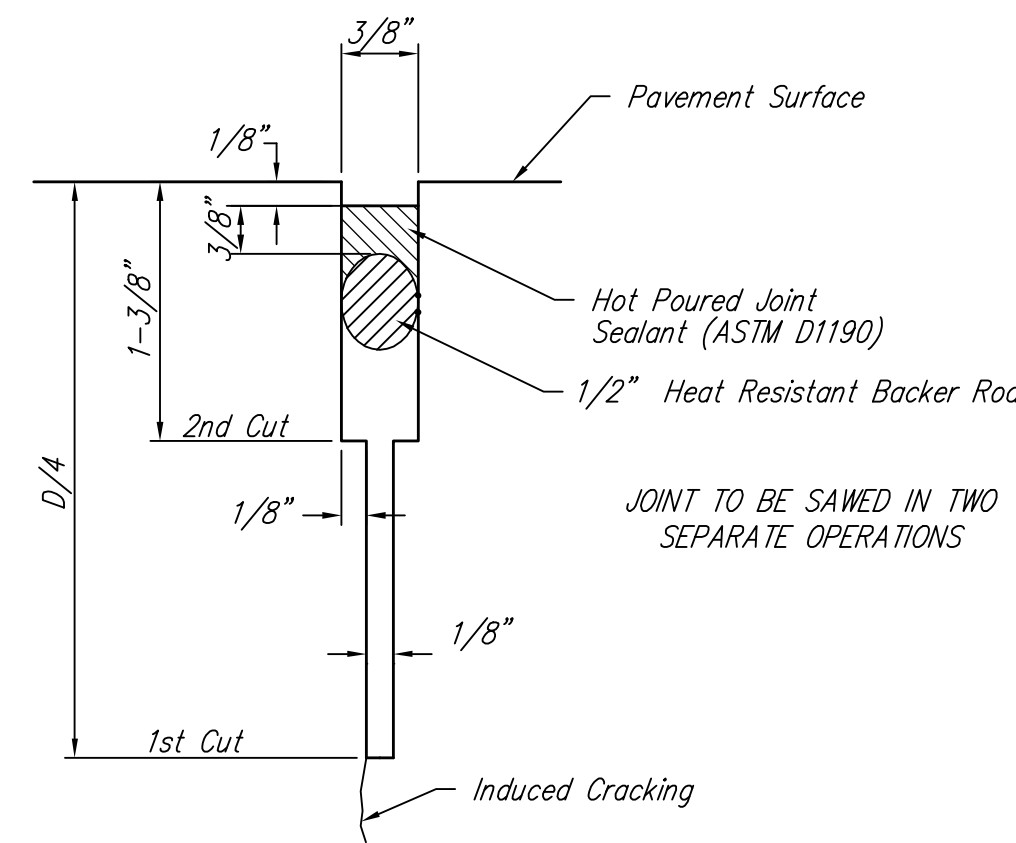
WHEELCHAIR RAMP DETAIL



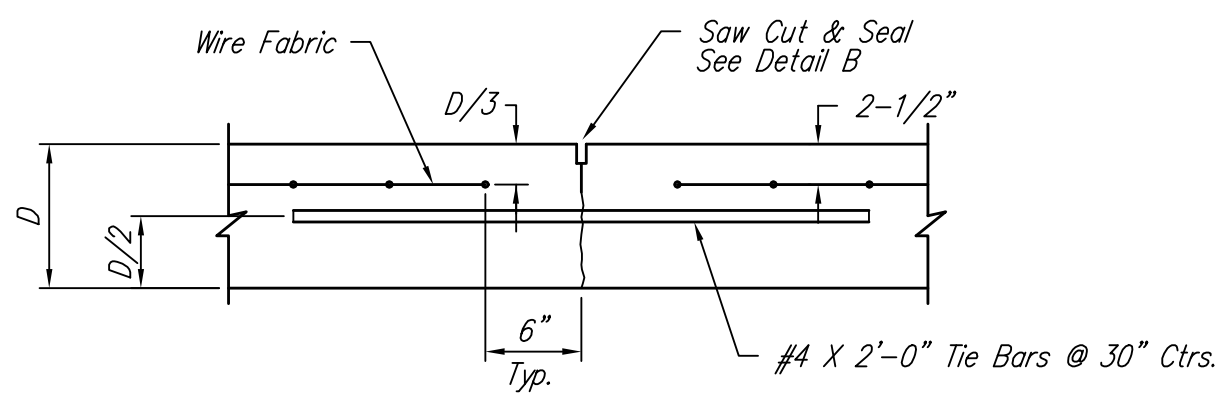
CONTRACTION JOINT DETAIL (C.J.)



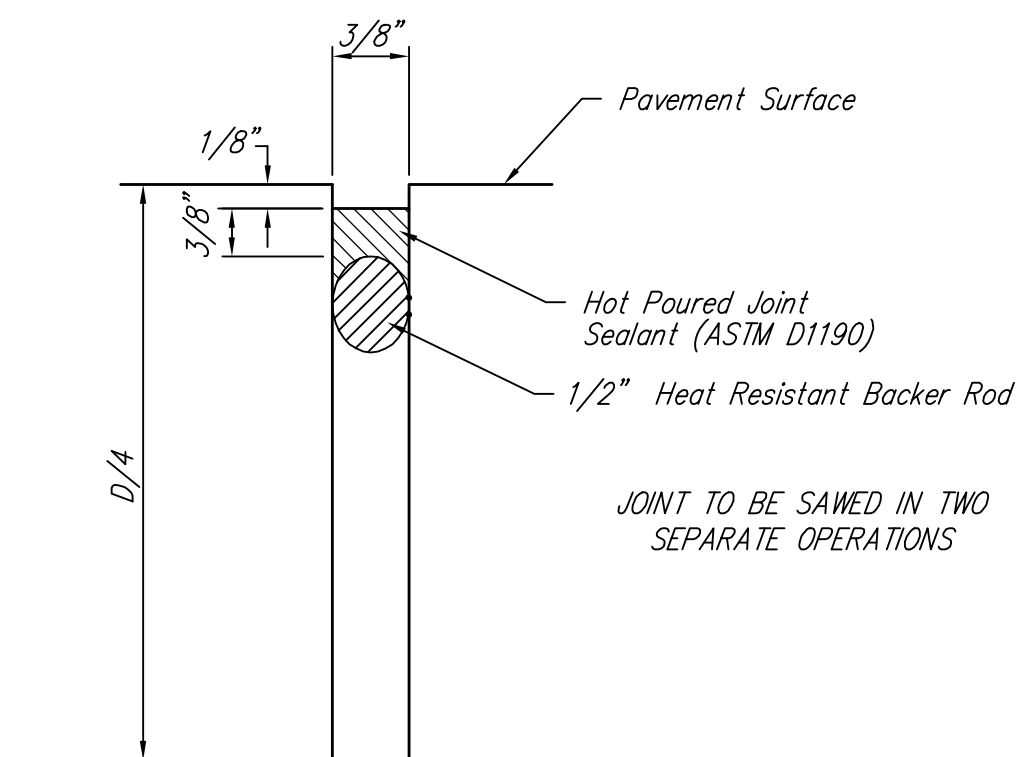
OPTIONAL CONTRACTION JOINT (CONSTRUCTION JOINT)



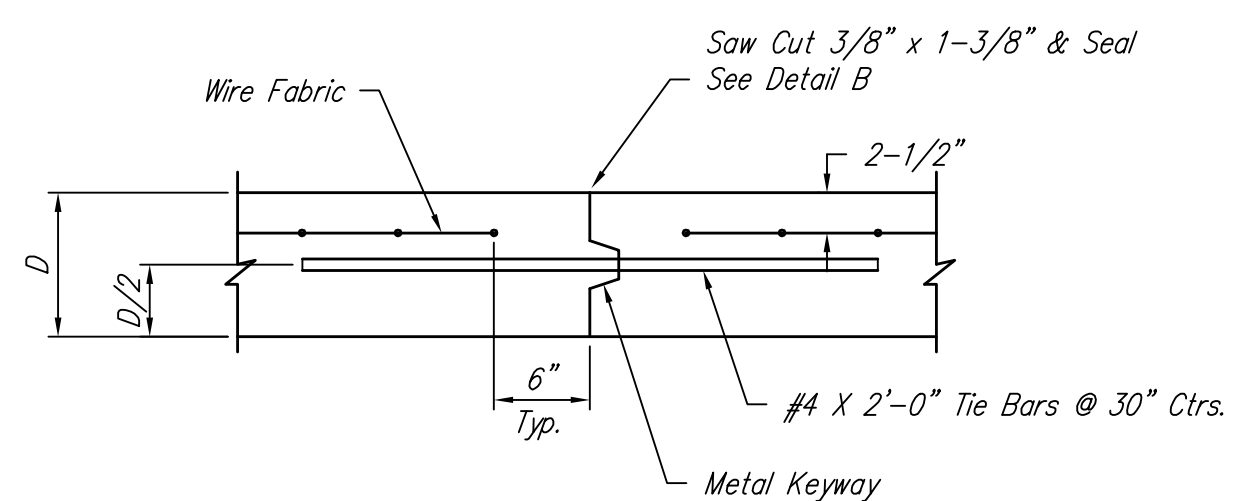
SAW JOINT DETAIL "A"



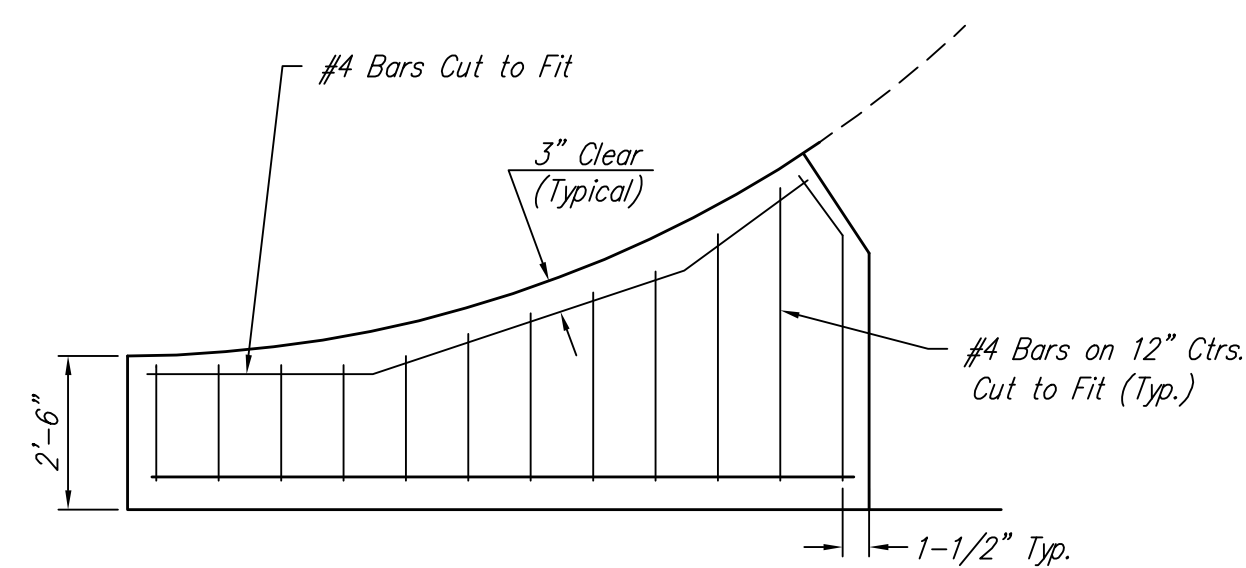
LONGITUDINAL JOINT DETAIL (L.J.)



SAW JOINT DETAIL "B"



OPTIONAL LONGITUDINAL JOINT DETAIL (L.J.) (CONSTRUCTION JOINT)



WING REINFORCING DETAIL

		MISCELLANEOUS DETAILS	
PROJECT NUMBER		DESIGN STAFF	DRAWN STAFF
REVISIONS:		APPROVED	DATE
		SCALE	SHEET
		4 OF 23	
<small>Misc Details.dwg</small>			