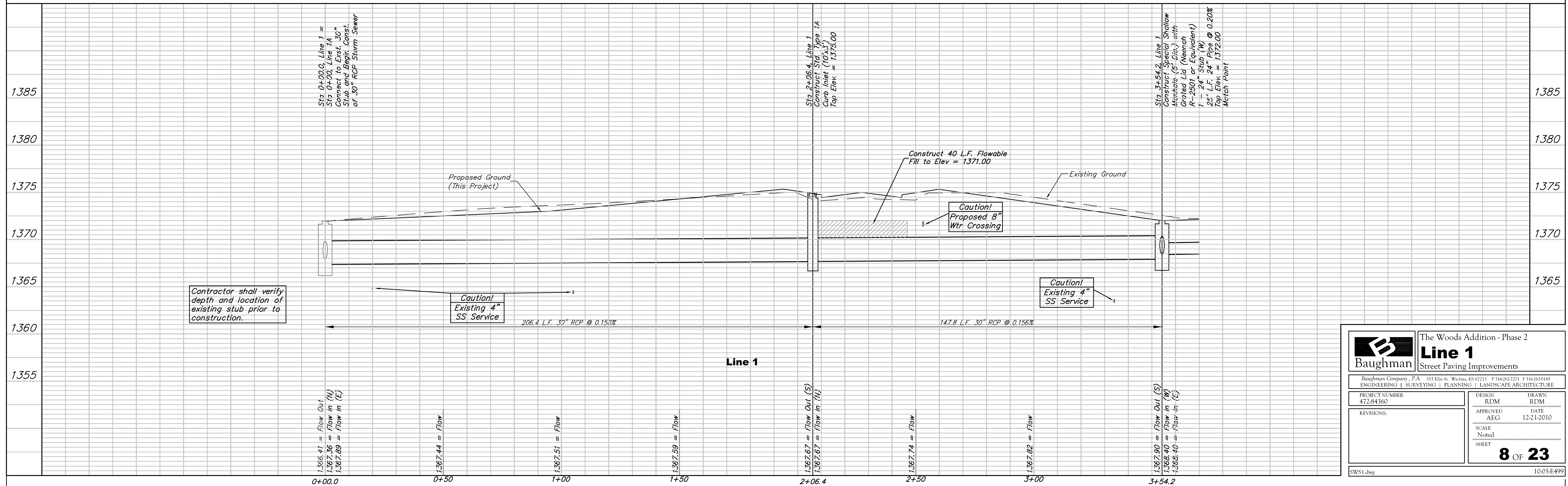
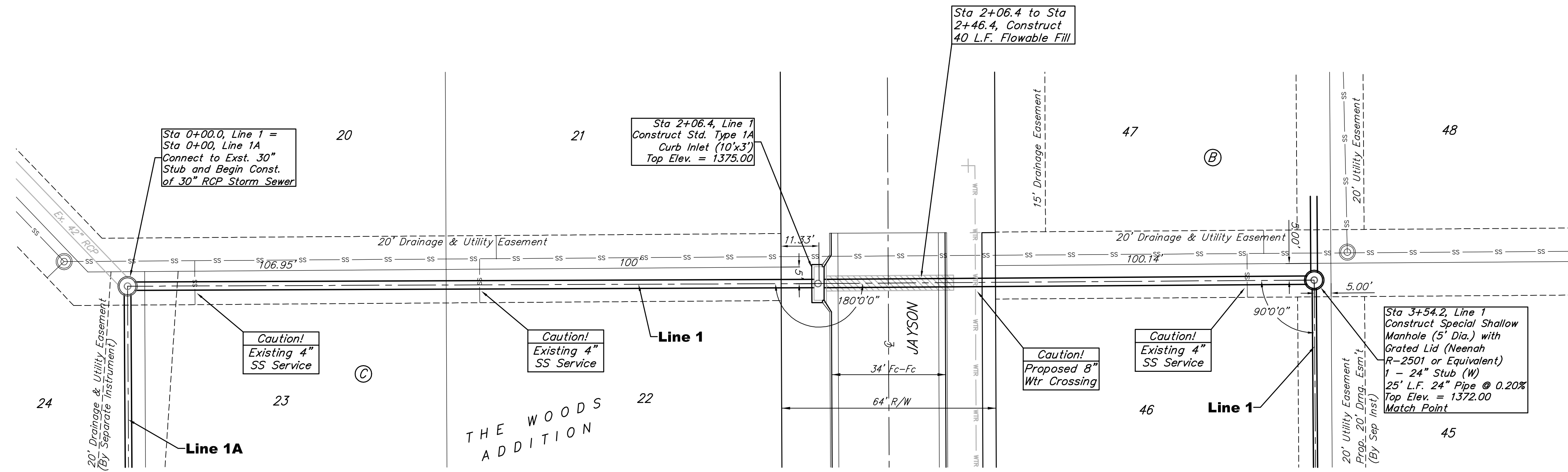
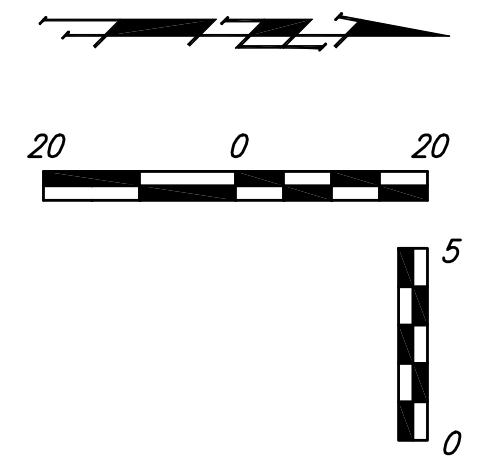


**BENCHMARK:**

BM #1: "□" Cut in top of the NE curb line of Fawnwood between Lots 3 and 4, Block C in The Woods Addition.  
Elev. = 1382.17 NGVD29

BM #2: "□" Cut in top of the SE curb line of City View between Lots 29 and 30, Block B in The Woods Addition.  
Elev. = 1375.17 NGVD29



		The Woods Addition - Phase 2	
		<b>Line 1</b>	
PROJECT NUMBER 472-84360		DESIGN RDM	
APPROVED AEG		DRAWN RDM	
REVISIONS:		DATE 12-21-2010	
SCALE Noted		SHEET	
		<b>8 OF 23</b>	
SWS1.dwg		10-05-E499	