

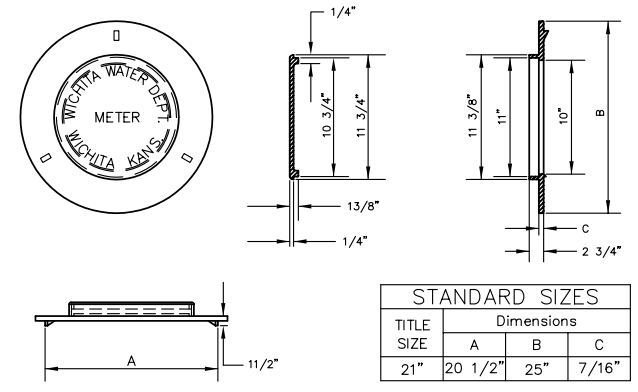
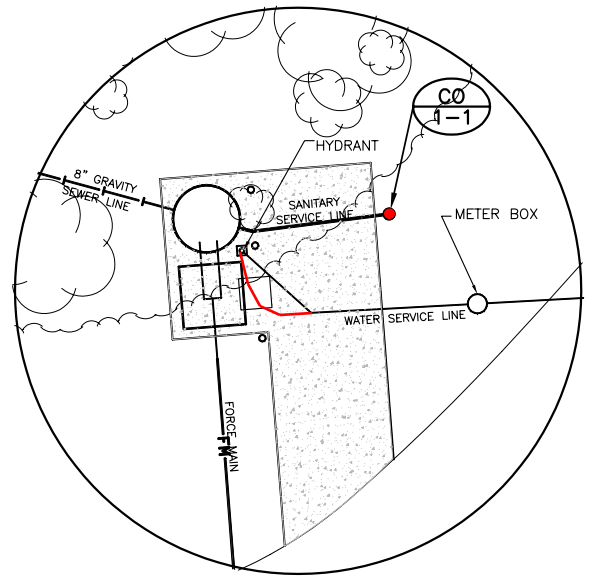
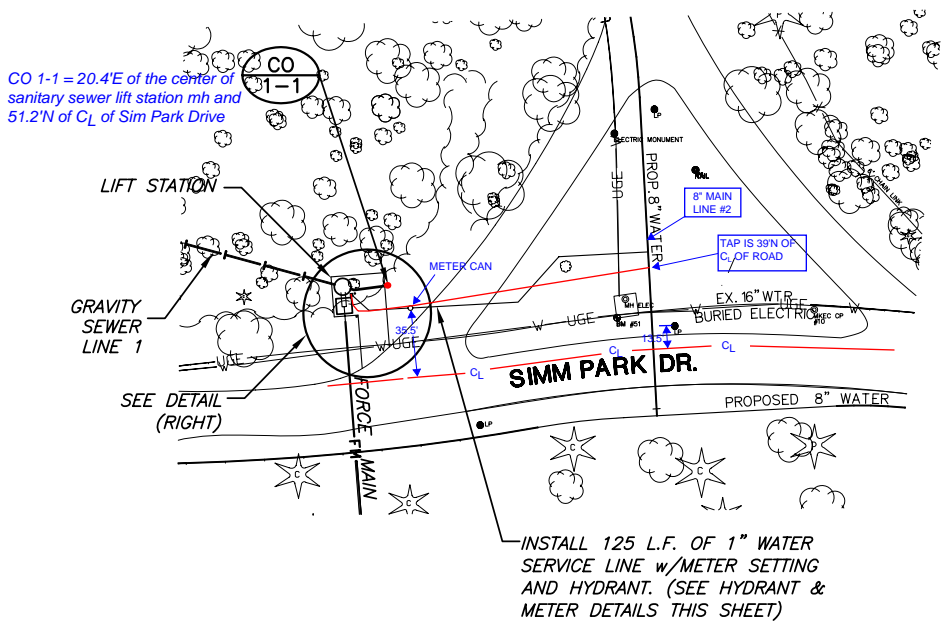
SANITARY SEWER LIFT STATION AND FORCE MAIN
BOTANICA - THE WICHITA GARDENS
STREETS AND UTILITIES

SANITARY SERVICE LINE 1
SHEET TITLE
468-84683
PROJECT NUMBER

DESIGN BY: **AJK**
DRAWN BY: **DMU**
CHECKED BY: **AJK**

ISSUED: **July 2010**
REVISED: **11/04/10**

SHEET NO.
5 of 29



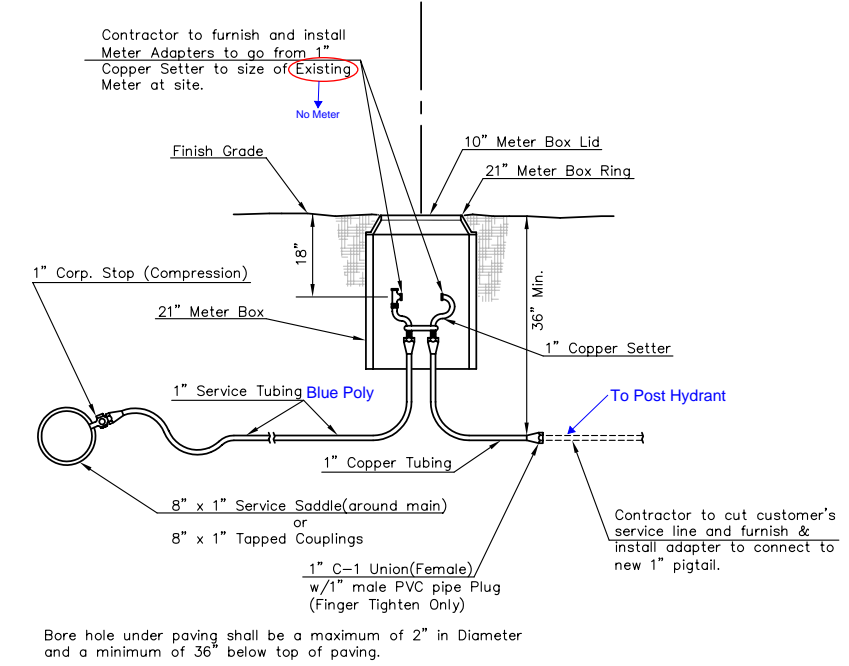
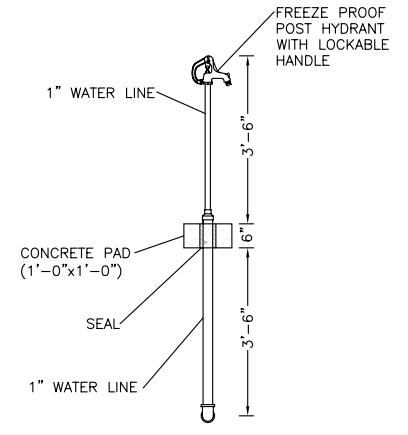
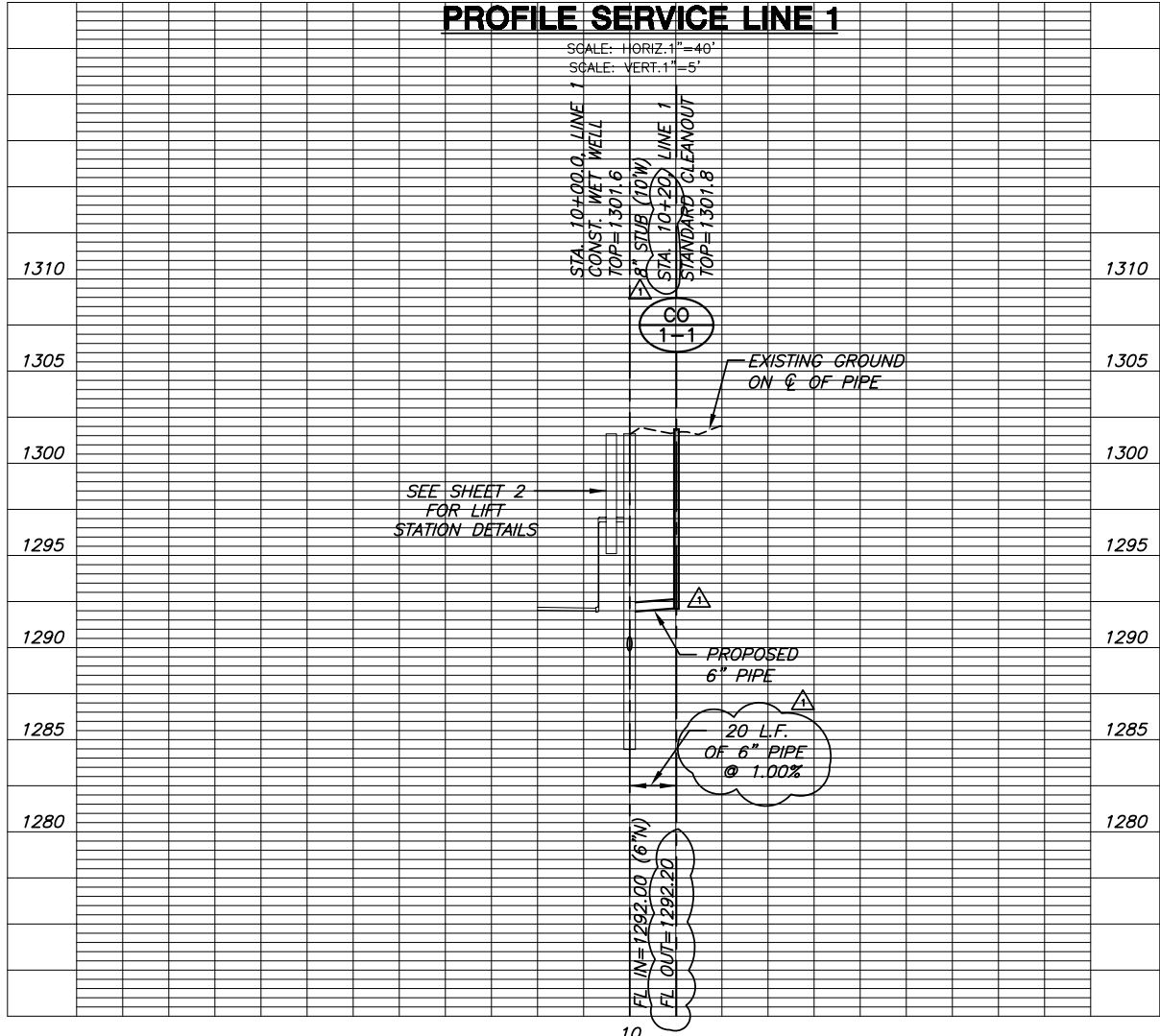
Other Approved Ring And Lids:
Ford Meter Box Co. Inc. 21" Ring & Lid Catalog No. C-4

RING & LID FOR METER BOXES

N.T.S.

PLAN SERVICE LINE 1

PROFILE SERVICE LINE 1



TYPICAL METER SETTING

LONG SERVICE 1"

N.T.S.