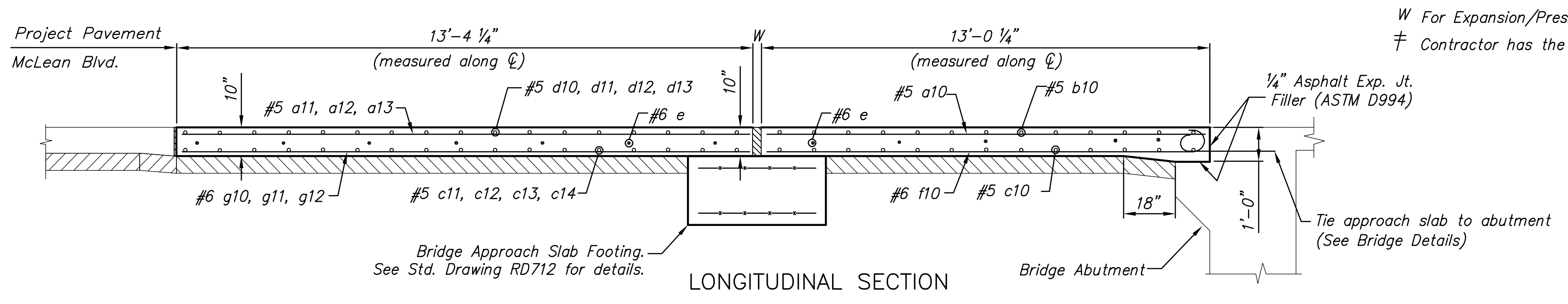


STATE	PROJECT NO.	YEAR	SHEET NO.	TOTAL SHEETS
KANSAS	87 N-0361-01	2011	9	169

MKEC
ENGINEERING
CONSULTANTS, INC.
411 N. WEBB ROAD
WICHITA, KS. 67206
316-684-9600



W For Expansion/Pressure Relief Joint width and details See Sheet No. 12.
‡ Contractor has the option of substituting a Tied Keyed Construction Joint.

GENERAL NOTES

1. Special Concrete Bridge Approach shall be paid for as sq. yds of "Concrete Pavement 10" (Reinforced)" and includes all work and materials required to construct the approach slab as shown on this sheet.
2. Formed joints shall be edged with 1/4" radius tool for length of joint.
3. Clearance from the face of concrete for all reinforcing steel, unless noted, shall be 2".
4. All casting to existing concrete, if cast previously, shall be brush blasted and power washed prior to casting concrete.
5. All existing concrete shall be water soaked for 2 hours prior to casting concrete.
6. All reinforcing steel shall be epoxy coated.
7. Standard reinforcing bar hooks in accordance with the latest ACI specifications shall be used throughout.
8. All work and materials required for installation of expansion joint shall be subsidiary to this bid item.
9. At the Contractor's option #4x3'-0" tie bars @ 15" centers may be substituted for the #6 e bars at 2'-6" centers.

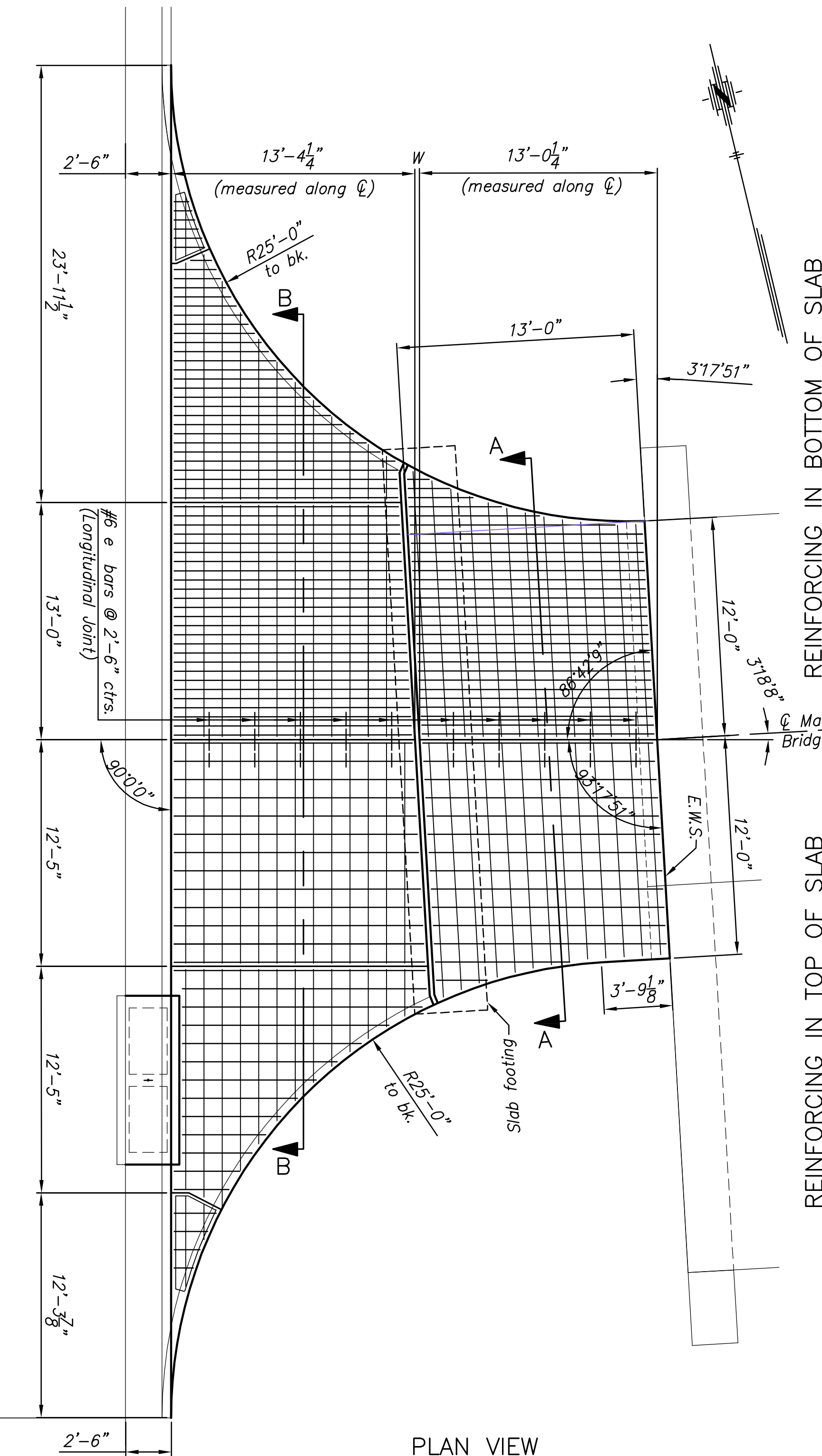
**LINCOLN STREET BRIDGE AND
DAM IMPROVEMENTS OVER
ARKANSAS RIVER**

**MAINTENANCE
BRIDGE
APPROACH
SLAB DETAILS**
SHEET TITLE
472-84883
PROJECT NUMBER

DESIGN BY: ABC
DRAWN BY: ABC
CHECKED BY: ABC

ISSUED: 1/24/2011
REVISED:

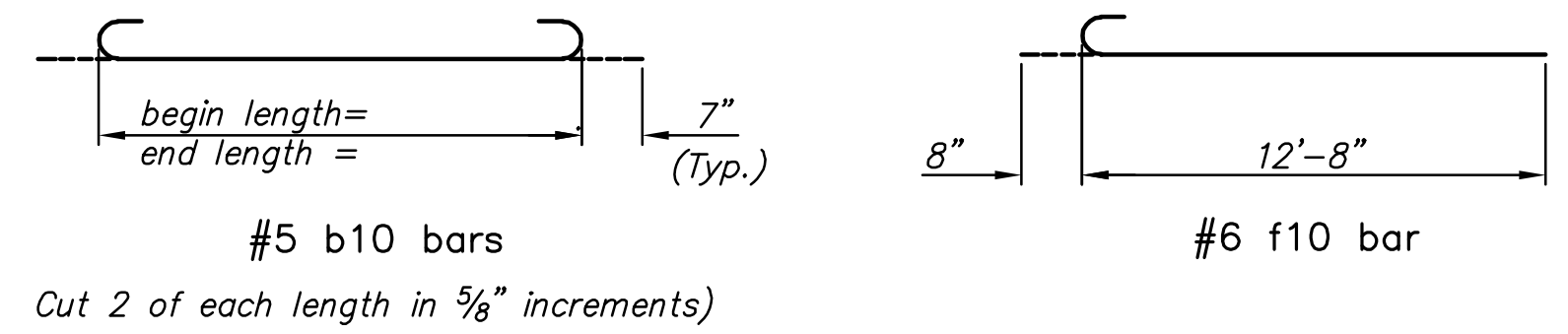
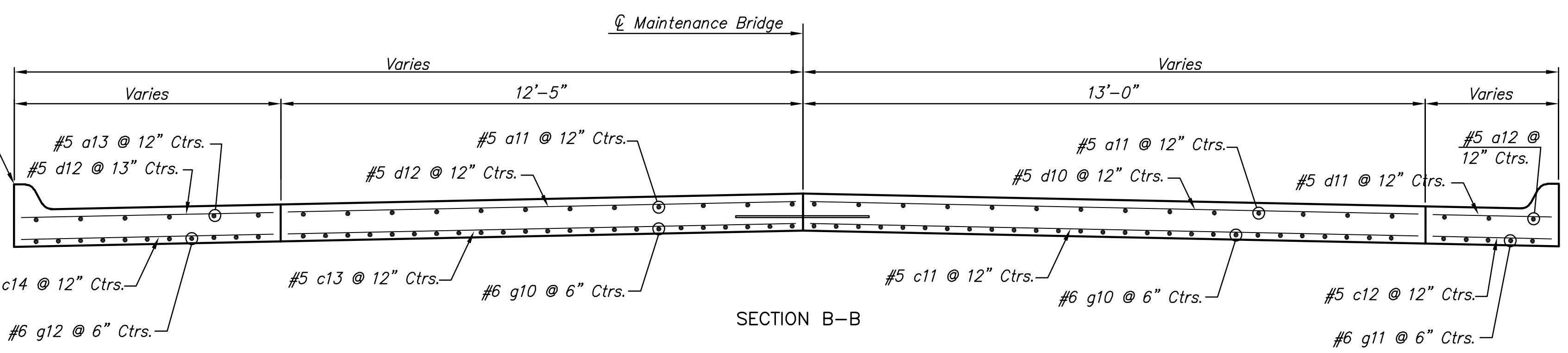
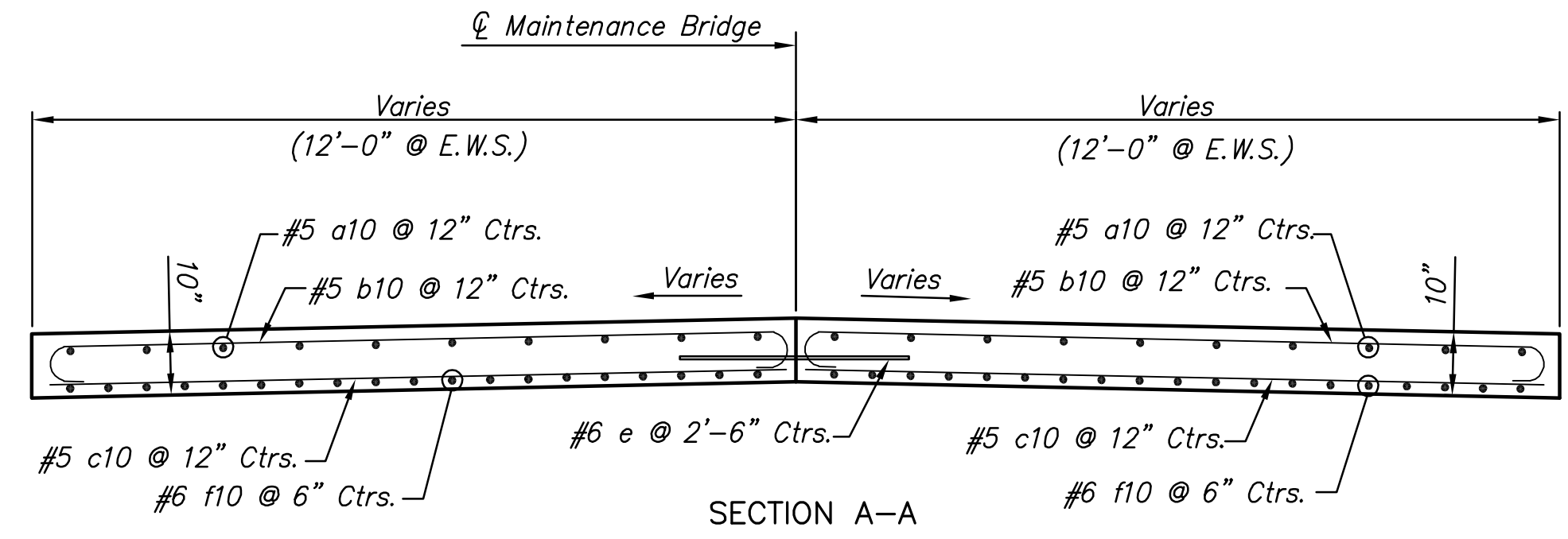
SHEET NO.
9 of 169



PLAN VIEW
(See Intersection Plan for Elevations)

REINFORCING IN BOTTOM OF SLAB

REINFORCING IN TOP OF SLAB



BENDING DIAGRAM
All dimensions are out to out unless otherwise noted.

BILL OF MATERIALS											
Bar	Schedule Δ See Bending Diagram										
No.	a10	a11	a12	a13	b10		c10	c11	c12	c13	c14
Size	#5	#5	#5	#5	#5		#5	#5	#5	#5	#5
Length											

BILL OF MATERIALS											
Bar	Schedule Δ See Bending Diagram										
No.	d10	d11	d12	d13	e	f10	g10	g11	g12		
Size	#5	#5	#5	#5	#6	#6	#5	#5	#5		
Length											

PLOTTED: Tuesday, January 25, 2011 8:54 AM

J:\CIVIL\07433\DWG\BRIDGE\PAV\07433_APPR_SLAB_DAM.DWG