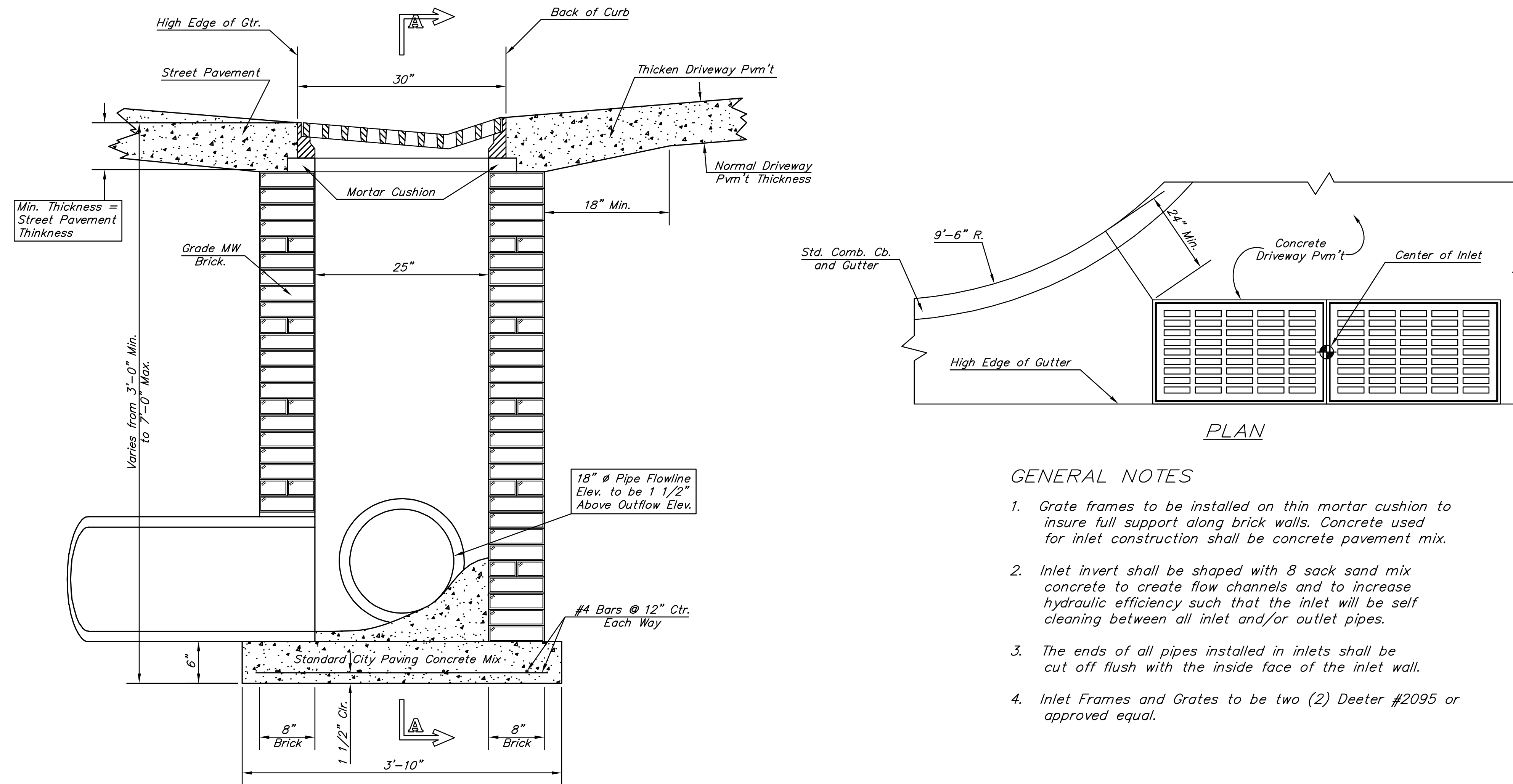
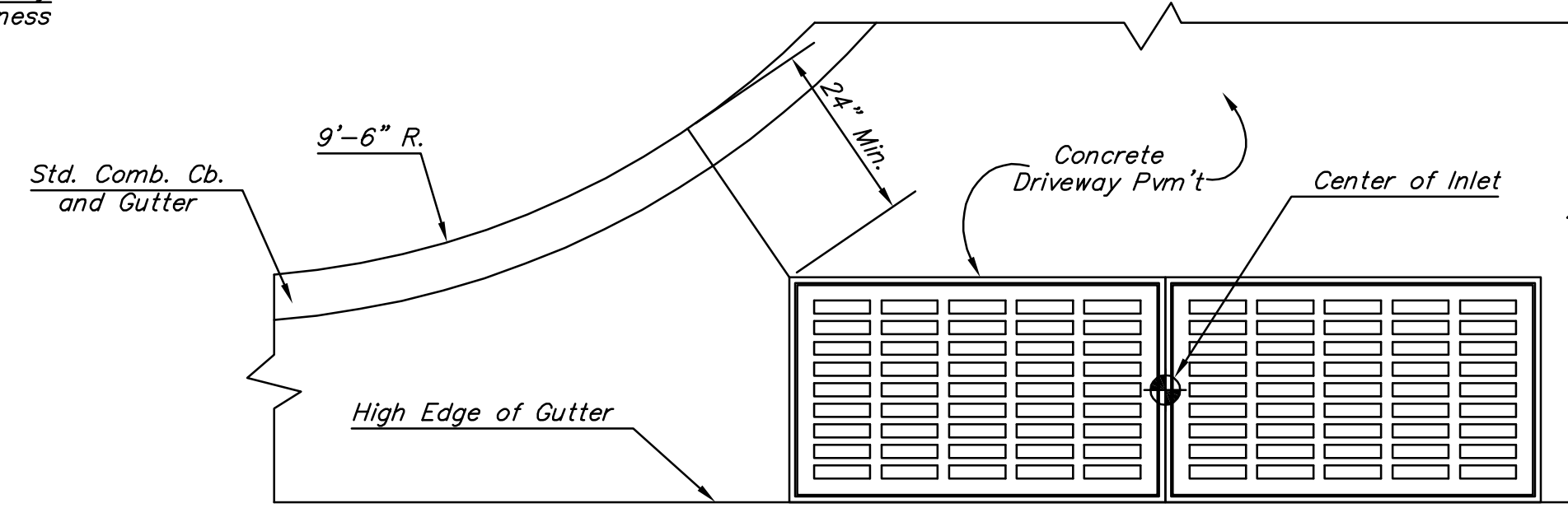


STATE	PROJECT NO.	YEAR	SHEET NO.	TOTAL SHEETS
KANSAS	87 N-0361-01	2010	30	169



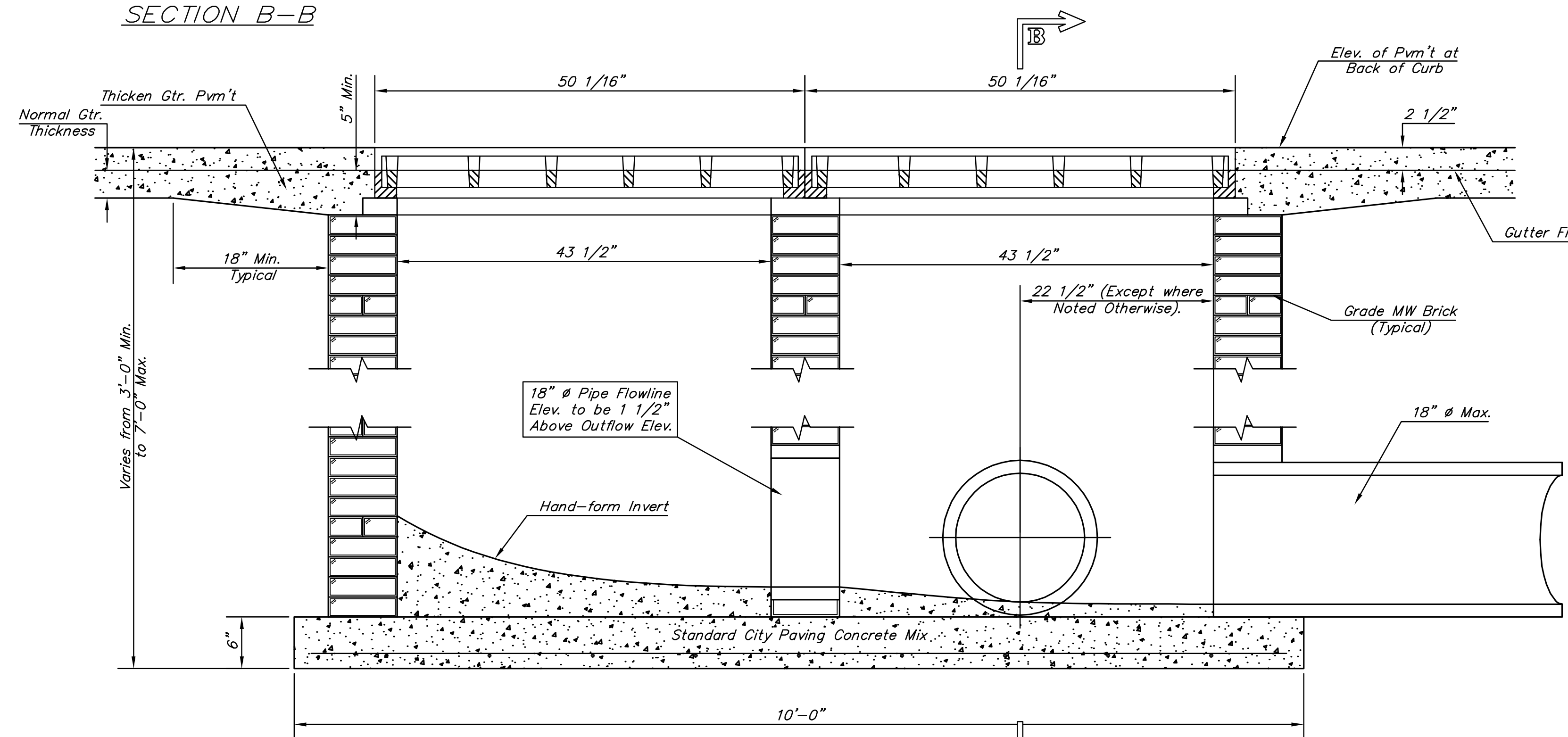
SECTION B-B



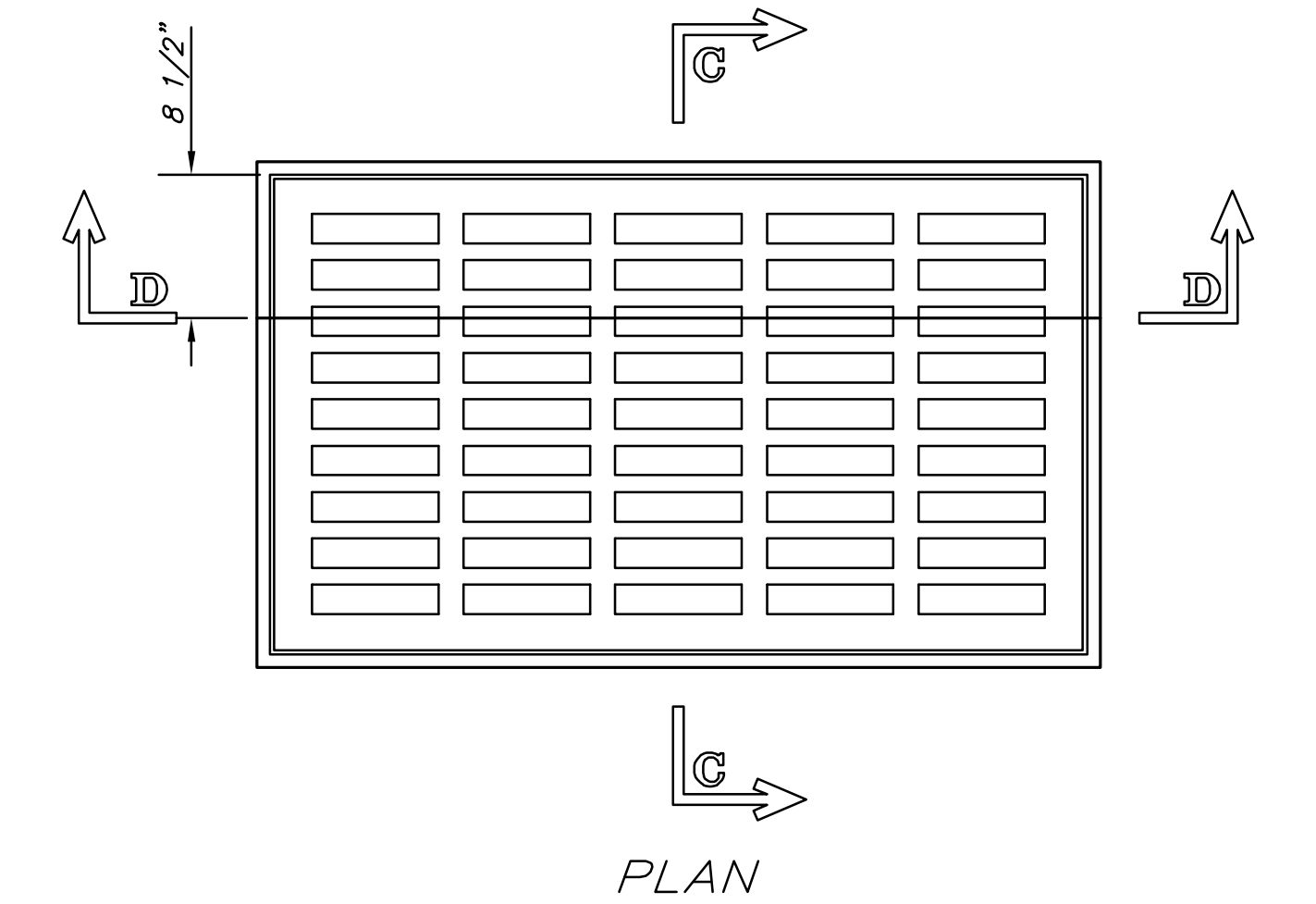
PLAN

GENERAL NOTES

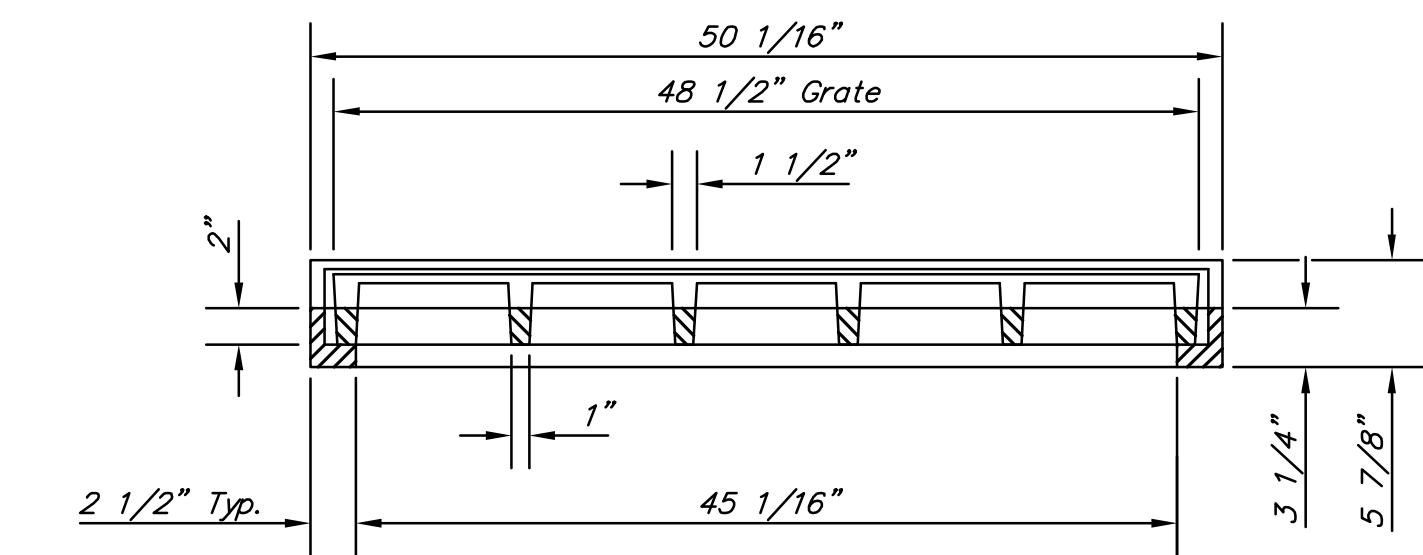
1. Grate frames to be installed on thin mortar cushion to insure full support along brick walls. Concrete used for inlet construction shall be concrete pavement mix.
2. Inlet invert shall be shaped with 8 sack sand mix concrete to create flow channels and to increase hydraulic efficiency such that the inlet will be self cleaning between all inlet and/or outlet pipes.
3. The ends of all pipes installed in inlets shall be cut off flush with the inside face of the inlet wall.
4. Inlet Frames and Grates to be two (2) Deeter #2095 or approved equal.



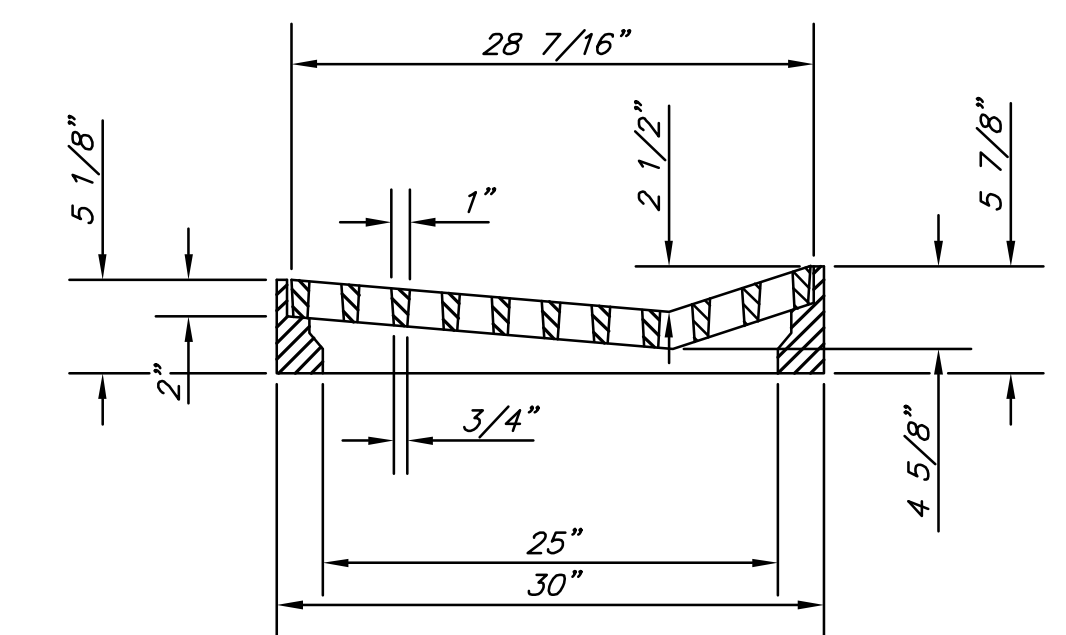
SECTION A-A



PLAN



SECTION D-D



SECTION C-C

DEETER #2095 FRAME & GRATE  
TOTAL WEIGHT: 705 lbs.  
(2 Each Required)

F:\CIVIL\07433\DWG\BRIDGE\PAV\07433 DRIVE INLET-DBLE.DWG

<p><b>CITY OF WICHITA</b> PUBLIC WORKS ENGINEERING CITY ENGINEER'S OFFICE CITY HALL - SEVENTH FLOOR 455 NORTH MAIN STREET WICHITA, KANSAS 67202-1620 (316) 268-4501 (316) 268-4114 FAX</p>	<b>DRIVEWAY GRATED INLET DOUBLE</b>	
	JIM ARMOUR, P.E. - CITY ENGINEER	
	PROJECT NUMBER 472-84605	INDEX CODE 706-946
	DATE DEC 05	SHEET <b>30</b> OF <b>169</b>