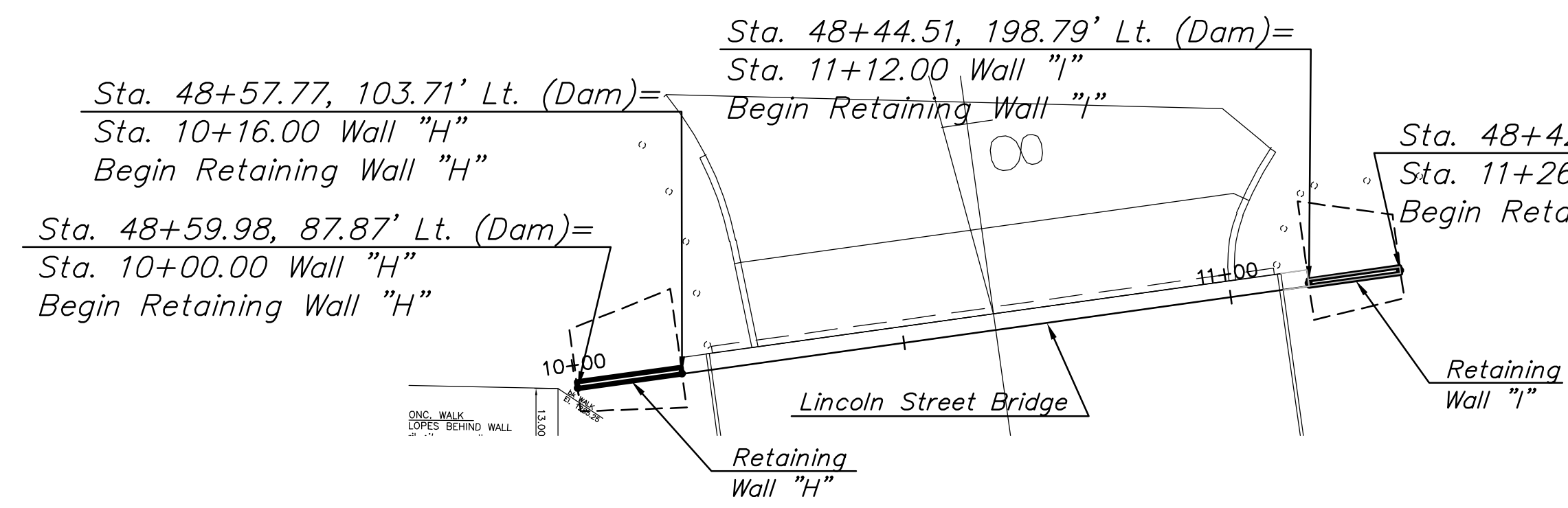
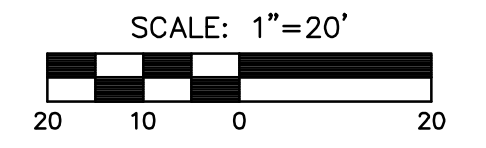
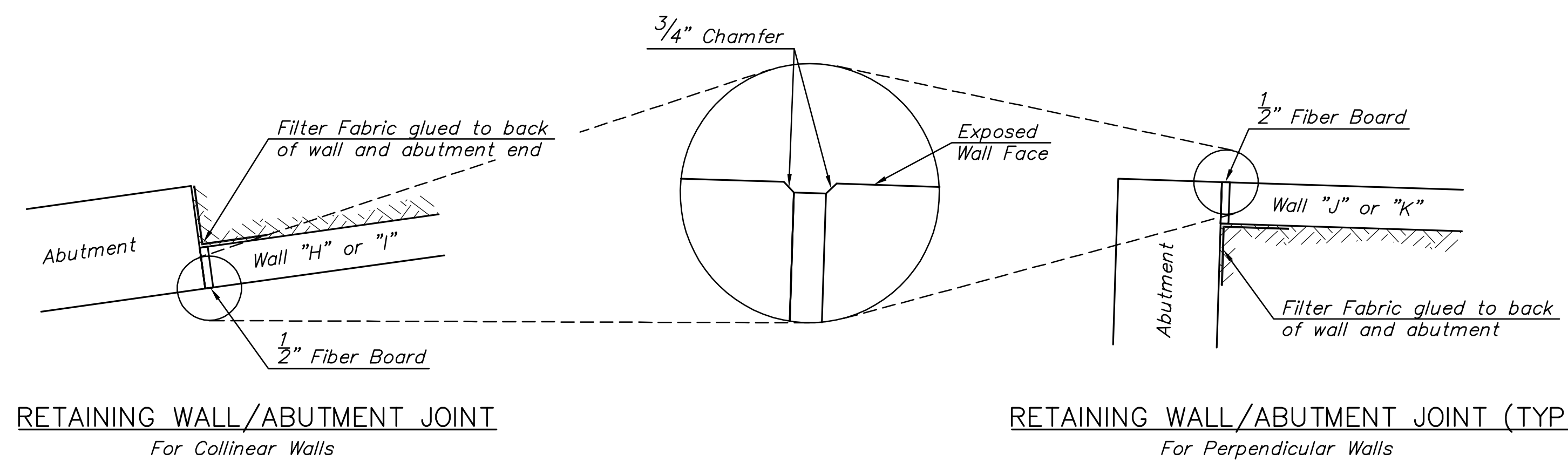
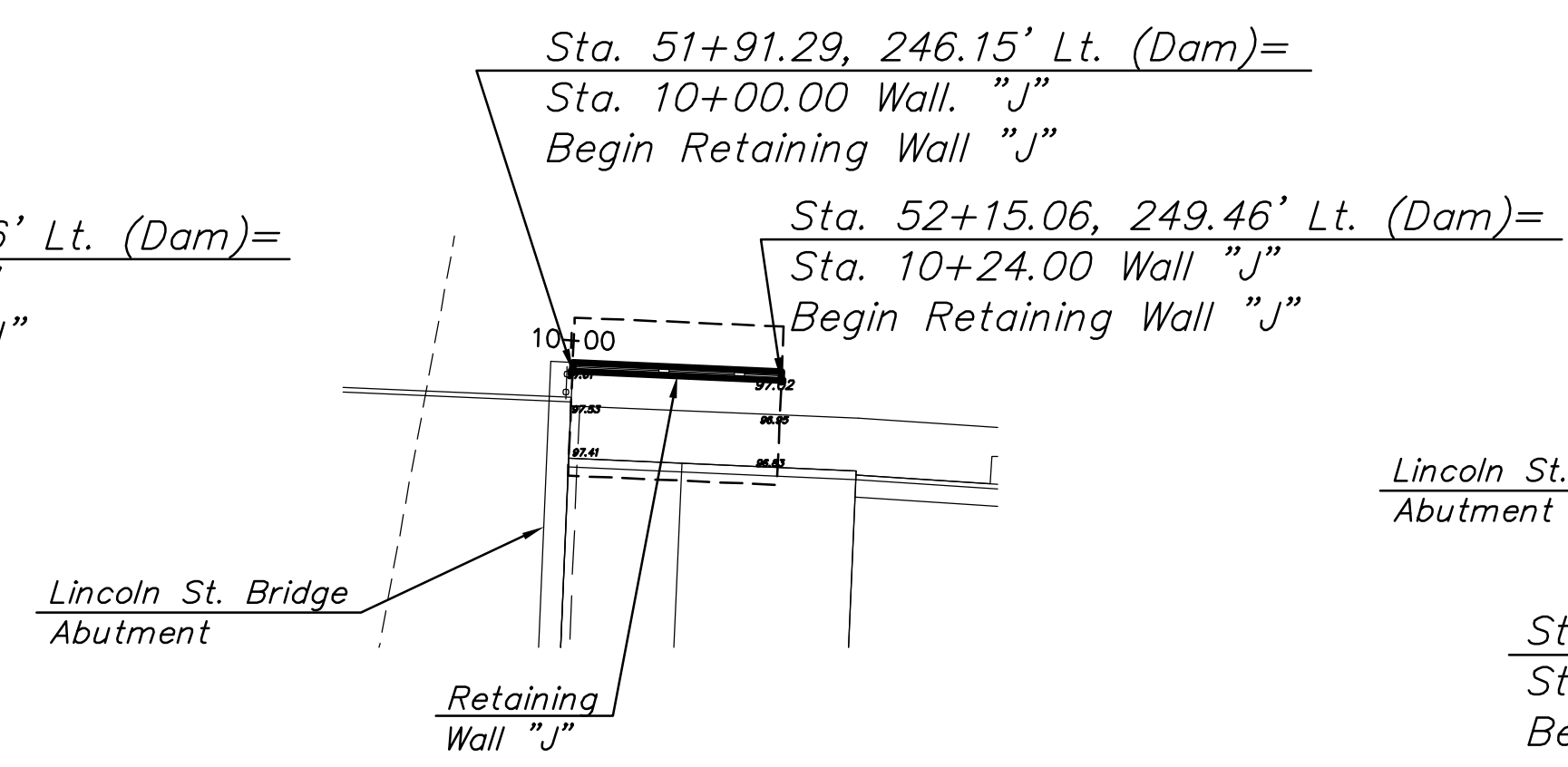


STATE	PROJECT NO.	YEAR	SHEET NO.	TOTAL SHEETS
KANSAS	87 N-0361-01	2011	41	169

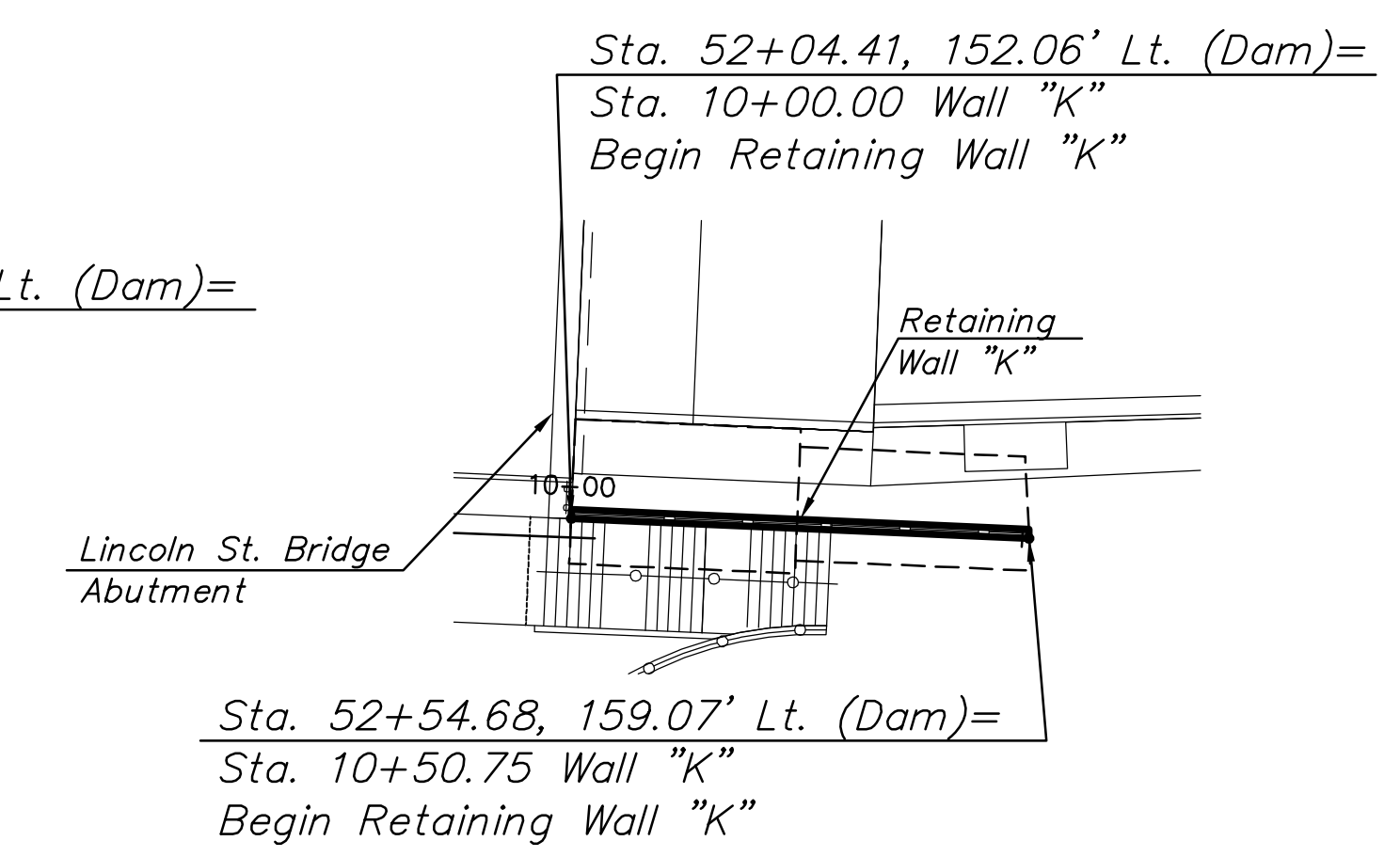
MKEC
ENGINEERING
CONSULTANTS, INC.
411 N. WEBB ROAD
WICHITA, K.S. 67206
316-684-9600



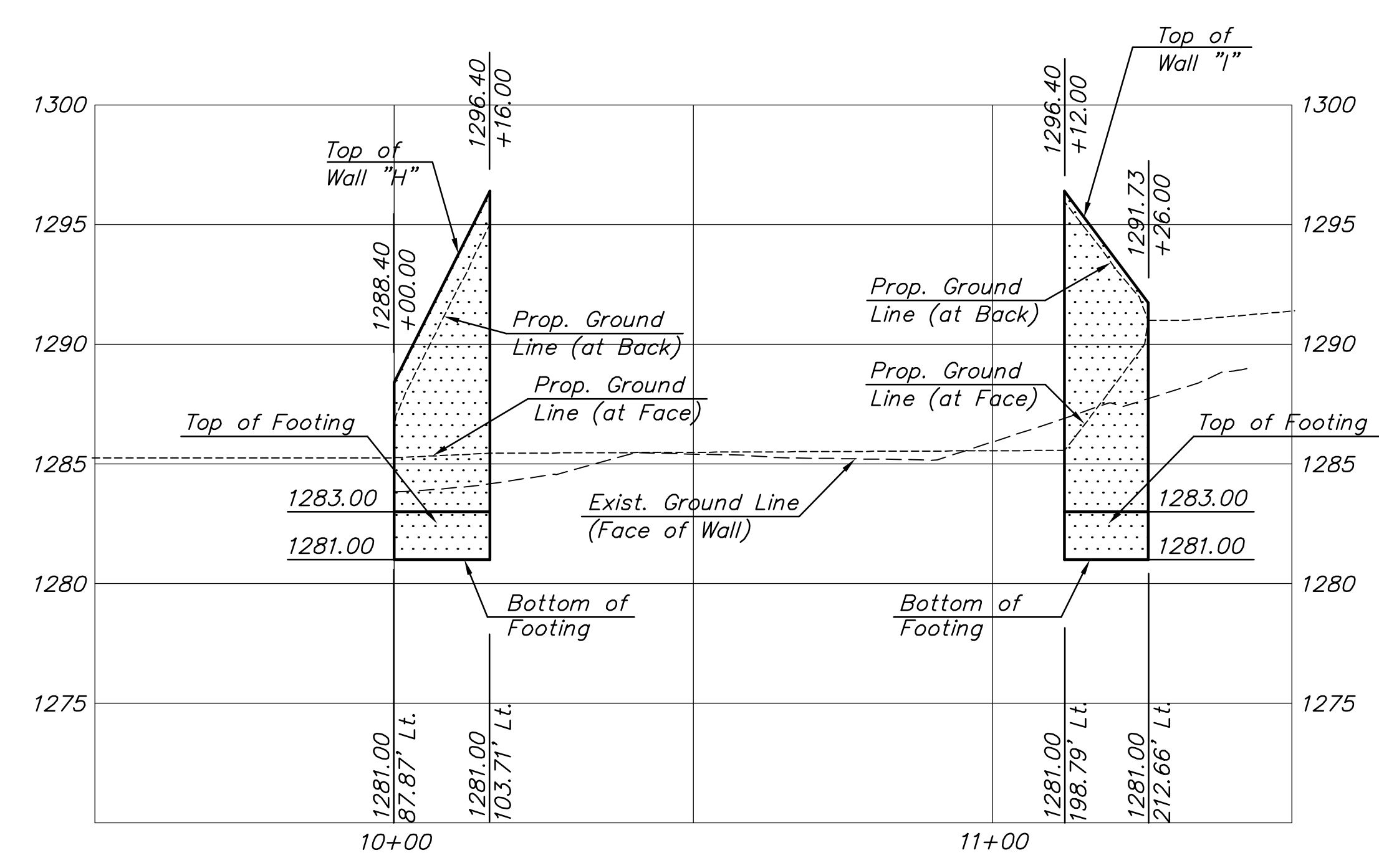
LAYOUT OF WALL "H" AND WALL "I"



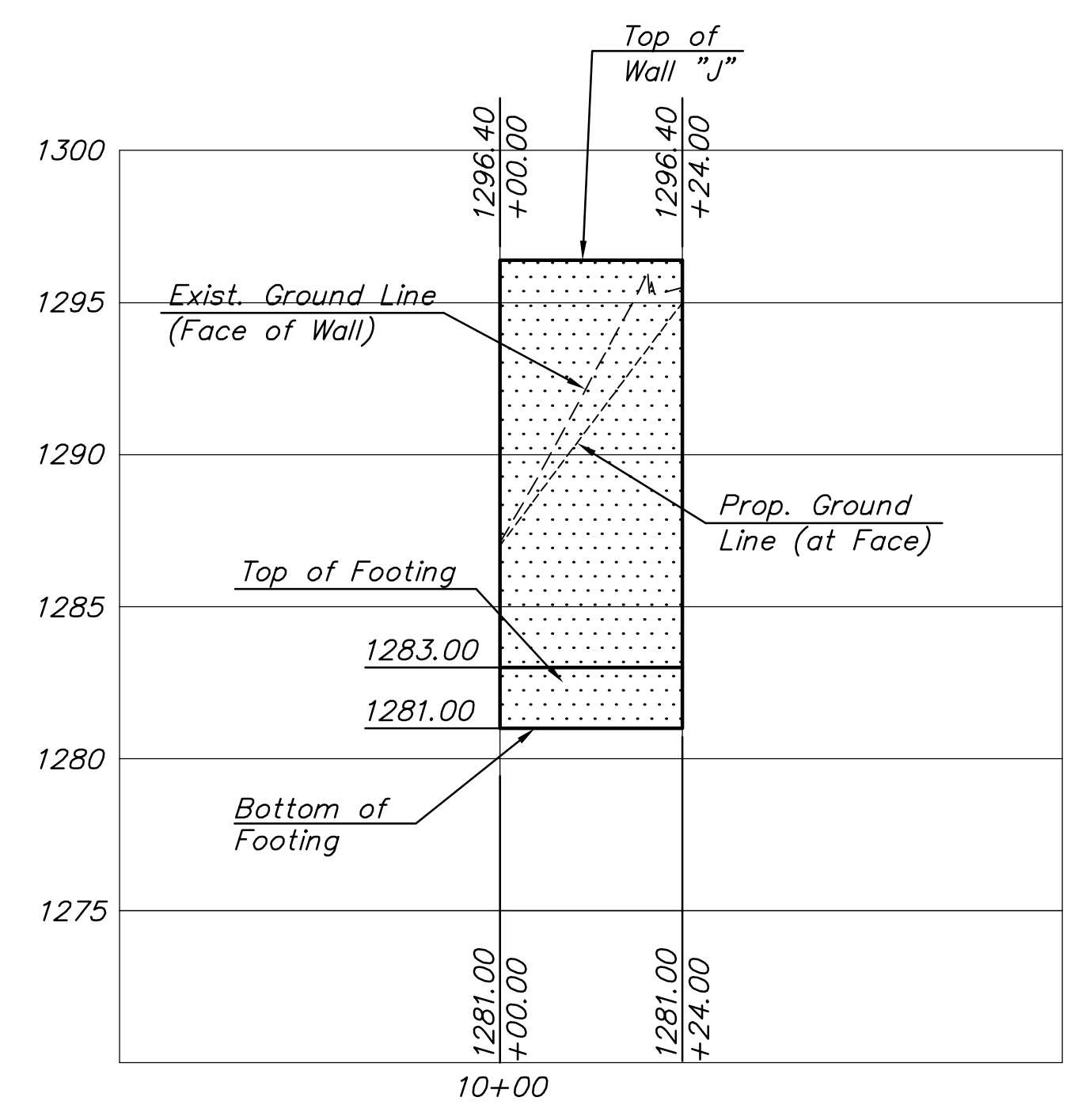
LAYOUT OF WALL "J"



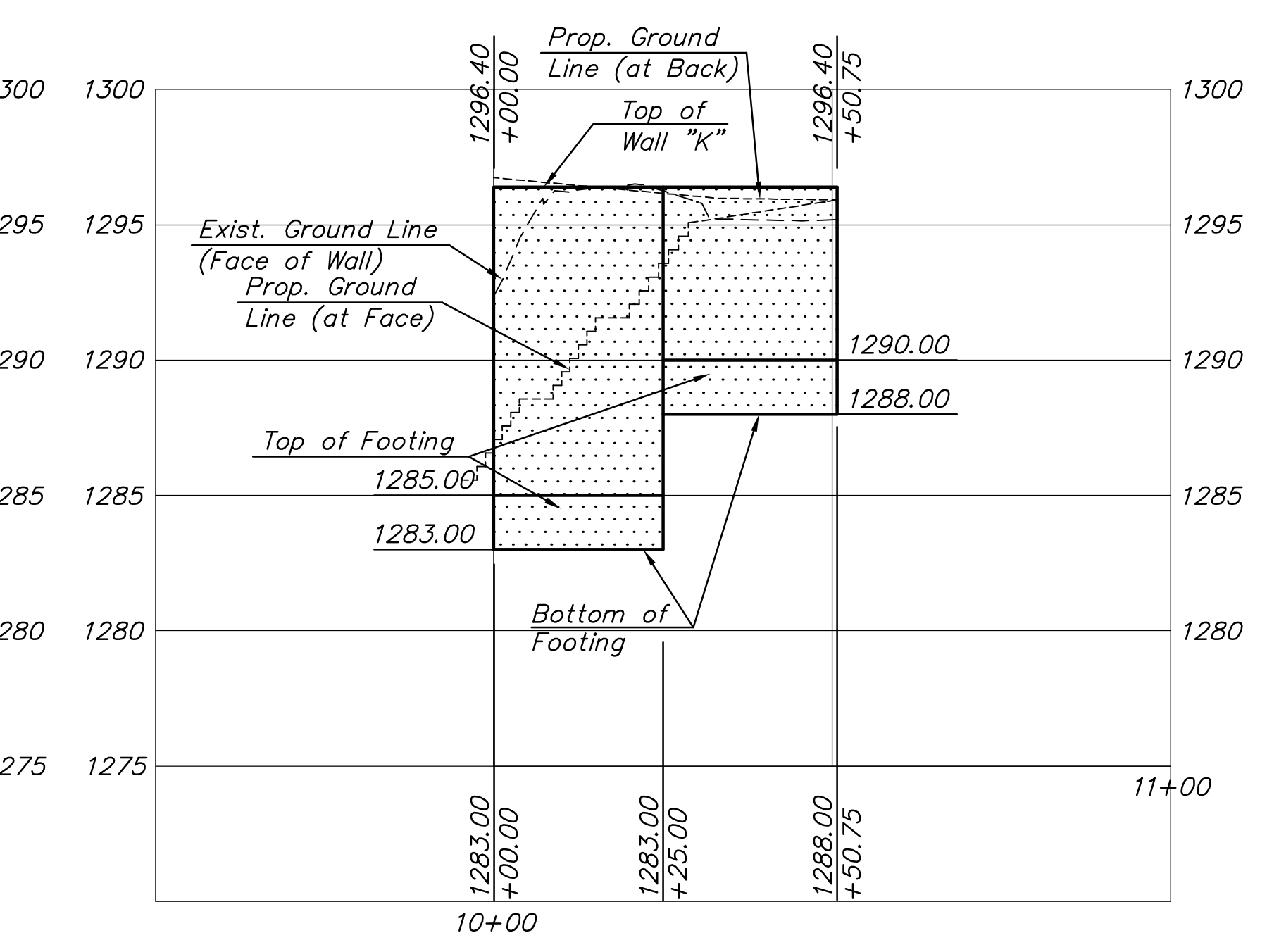
LAYOUT OF WALL "K"



PROFILE OF WALL "H" AND WALL "I"



PROFILE OF WALL "J"



PROFILE OF WALL "K"

**LINCOLN STREET BRIDGE AND
DAM IMPROVEMENTS OVER
ARKANSAS RIVER**

**CAST-IN-PLACE
CONCRETE
RETAINING
WALLS "H","I","J","K"**
SHEET TITLE
472-84883
PROJECT NUMBER

JRA
DESIGN BY
DPG
DRAWN BY
KJS
CHECKED BY

ISSUED
1/24/2011
REVISED

SHEET NO.
41 of 169

PLOTTED: Tuesday, January 25, 2011 8:58 AM

J:\CIVIL\07433\DWG\BRIDGE\PAV\07433_CIP_RETAIN_WALL_HUK.DWG