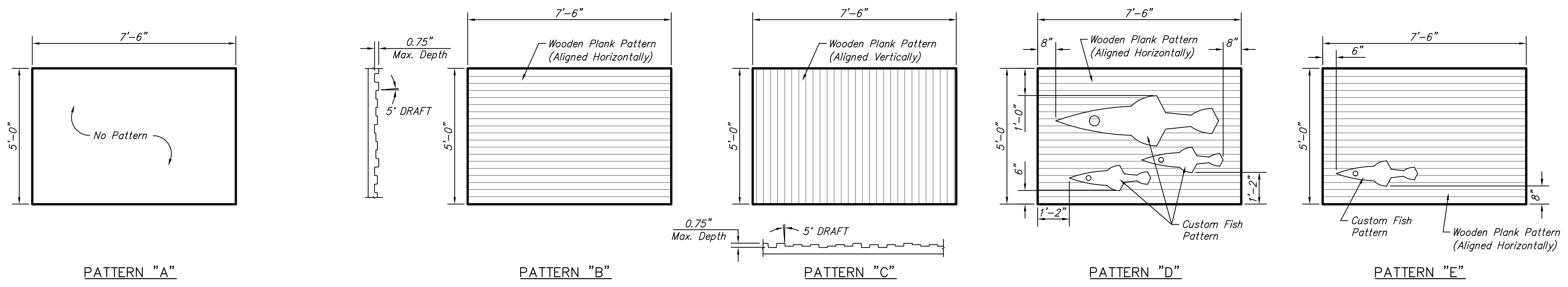
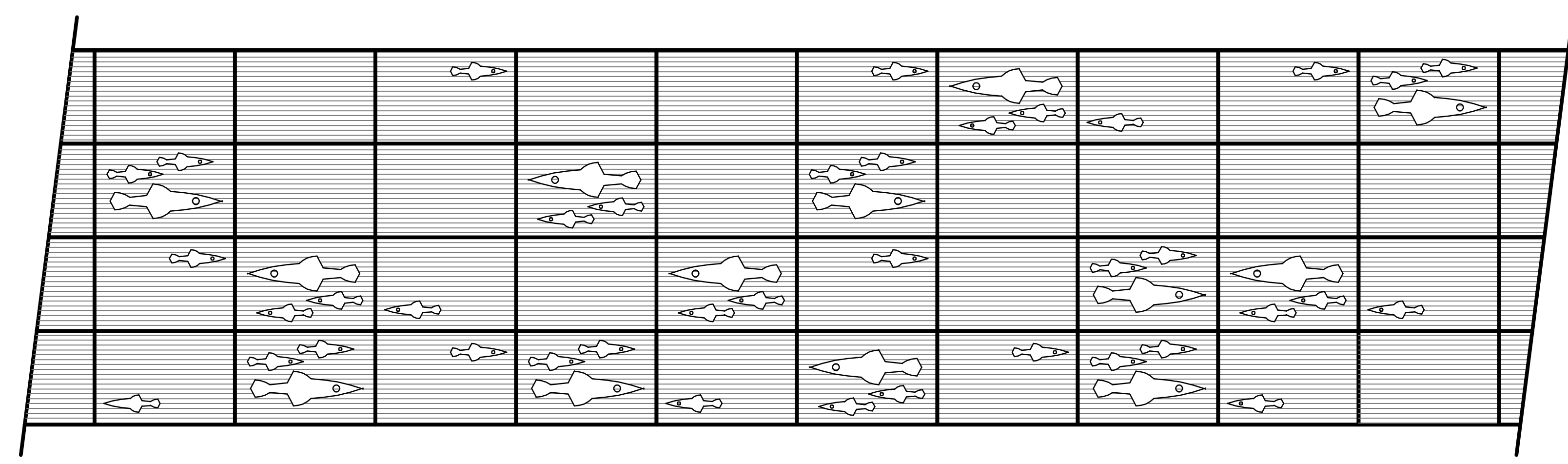


STATE	PROJECT NO.	YEAR	SHEET NO.	TOTAL SHEETS
KANSAS	87 N-0361-01	2011	46.001	169

**MKEC**  
ENGINEERING  
CONSULTANTS, INC.  
411 N. WEBB ROAD  
WICHITA, K.S. 67206  
316-684-9600



TYPICAL SURFACE TREATMENT PATTERNS



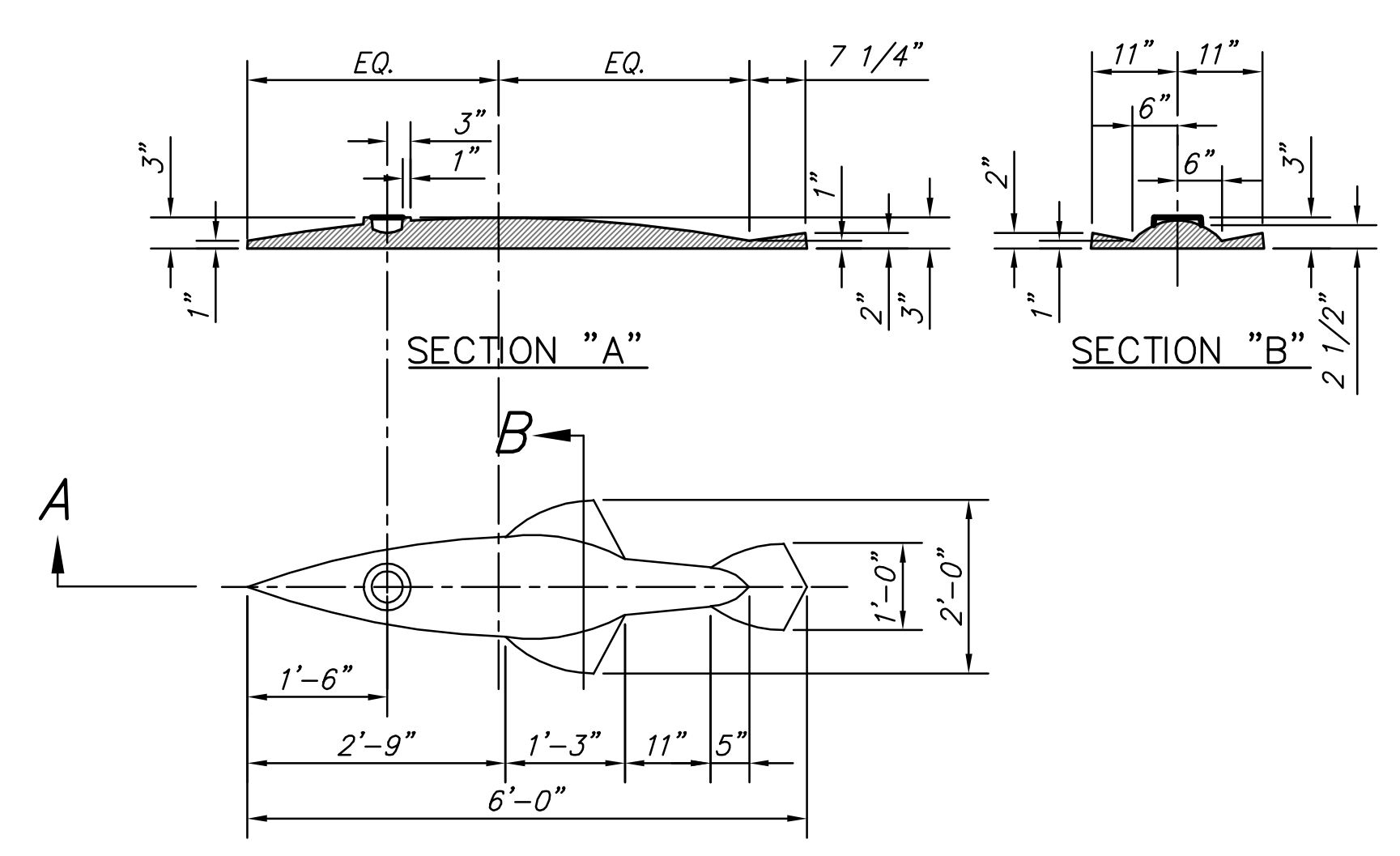
TYPICAL PATTERN LAYOUT

SURFACE TREATMENT NOTES:

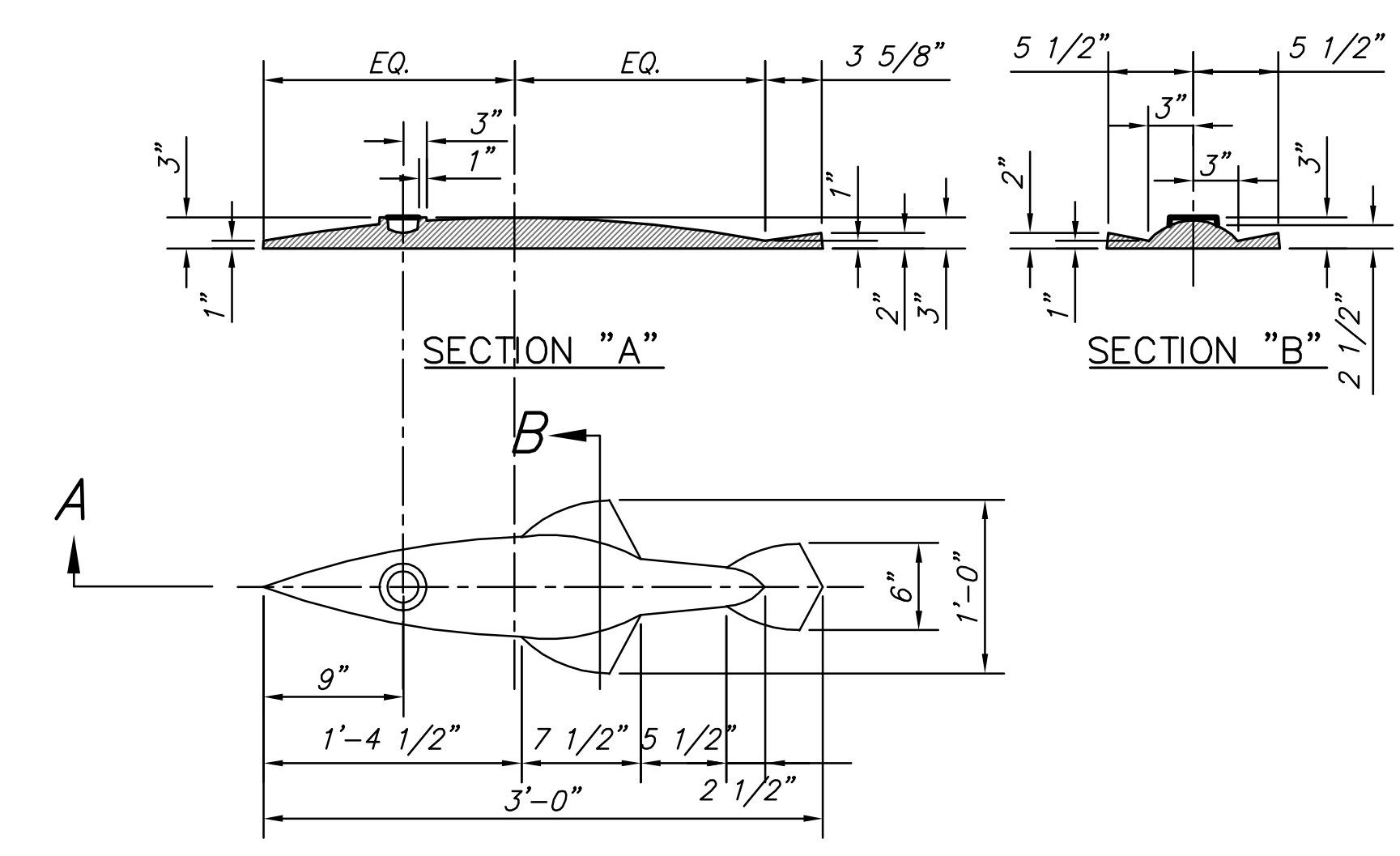
- The surfaces receiving surface treatment will need to be cast thicker than shown in the plans to account for the depth of the surface treatment as shown on this sheet. The additional concrete thickness shall be subsidiary to "Surface Treatment".
- The Typical Pattern Layout detail is provided to show the general arrangement of the various surface treatment patterns on walls A, C, E, H, I, J, K, L, M and the Lincoln Street bridge abutments and dam pier #1 and #5 as shown on sheet 46. In General, one-third of the visible panels will utilize "Pattern B", one-third will utilize "Pattern D" and another third will utilize "Pattern E". The Project Artist will be responsible for actual pattern layout on each wall and surface. This work shall be coordinated by the Contractor. The Contractor is NOT responsible for the cost of the Project Artist. The Project Artist is as follows:

Kent Williams  
Kent Williams Environmental Design  
1337 Lewellen Street, Wichita, KS 67203  
(323) 251-5784 (voice)  
(316) 371-6301 (studio/fax)

- "Pattern D" and "Pattern E" will be rotated 180 degrees from the pattern shown on approximately half of the panels.
- "Pattern A" shall be used on portions of the wall that will be buried below the surface or otherwise not visible.
- Wall F will utilize "Pattern C" only.
- The Wooden Plank pattern shown shall be pattern no. 16938 as manufactured by Fitzgerald Formliners or equal as approved by the Engineer and Project Artist.
- The patterns and dimensions shown are subject to minor adjustments prior to construction.
- The Contractor in coordination with the Project Artist shall submit shop drawings showing surface treatment layout on each surface to receive treatment. Wall pattern layout shall be shown on a grid for each surface. The layout shall indicate panels that will be rotated and areas that will be blank (Pattern A).



CUSTOM FISH PATTERN (BIG FISH)



CUSTOM FISH PATTERN (LITTLE FISH)

**LINCOLN STREET BRIDGE AND  
DAM IMPROVEMENTS OVER  
ARKANSAS RIVER**

**SURFACE  
TREATMENT  
AND COATING**  
SHEET TITLE  
472-84883  
PROJECT NUMBER

JRA  
DESIGN BY  
PJD  
DRAWN BY  
JRA  
CHECKED BY

ISSUED  
1/24/2011  
REVISED

SHEET NO.  
**46.001 of 169**