

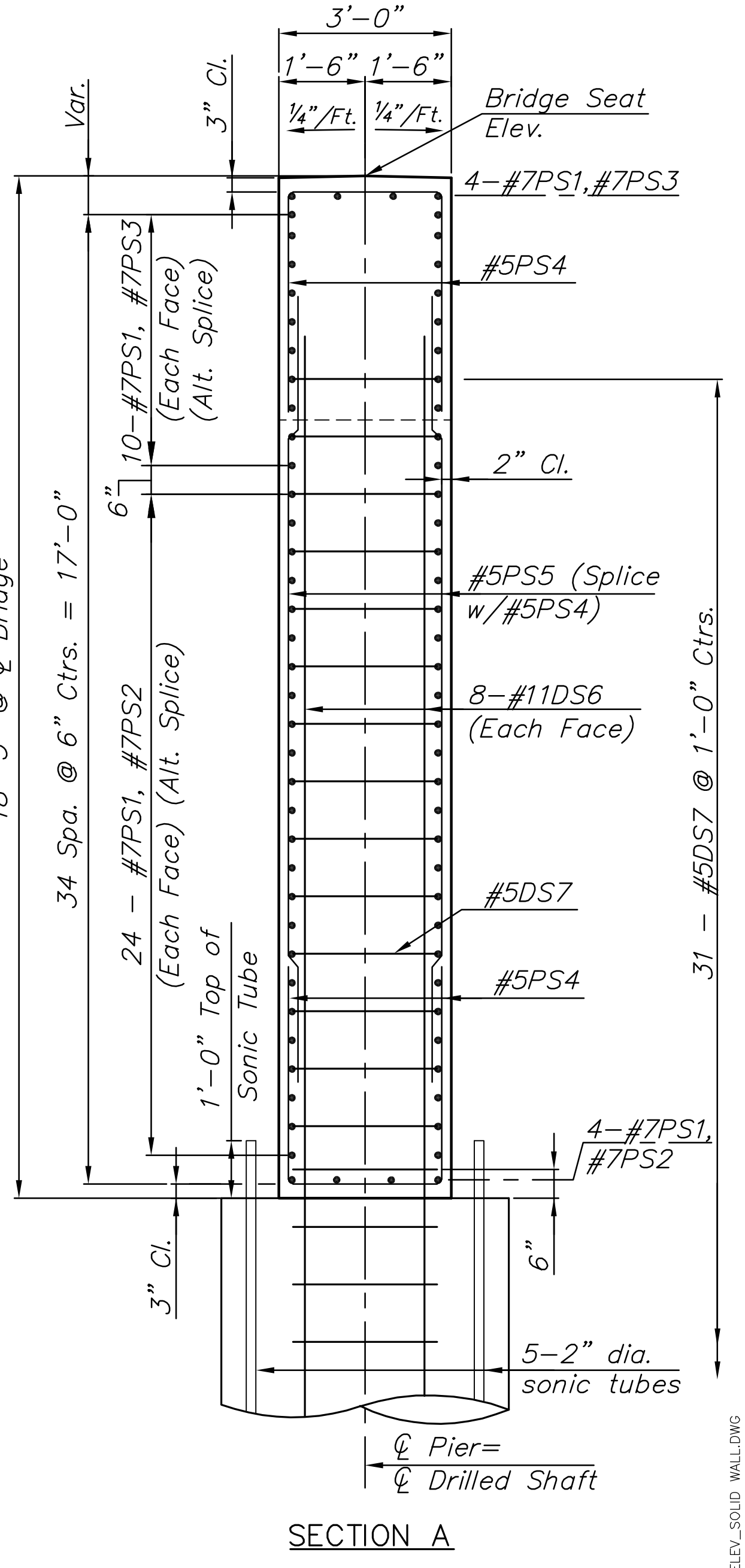
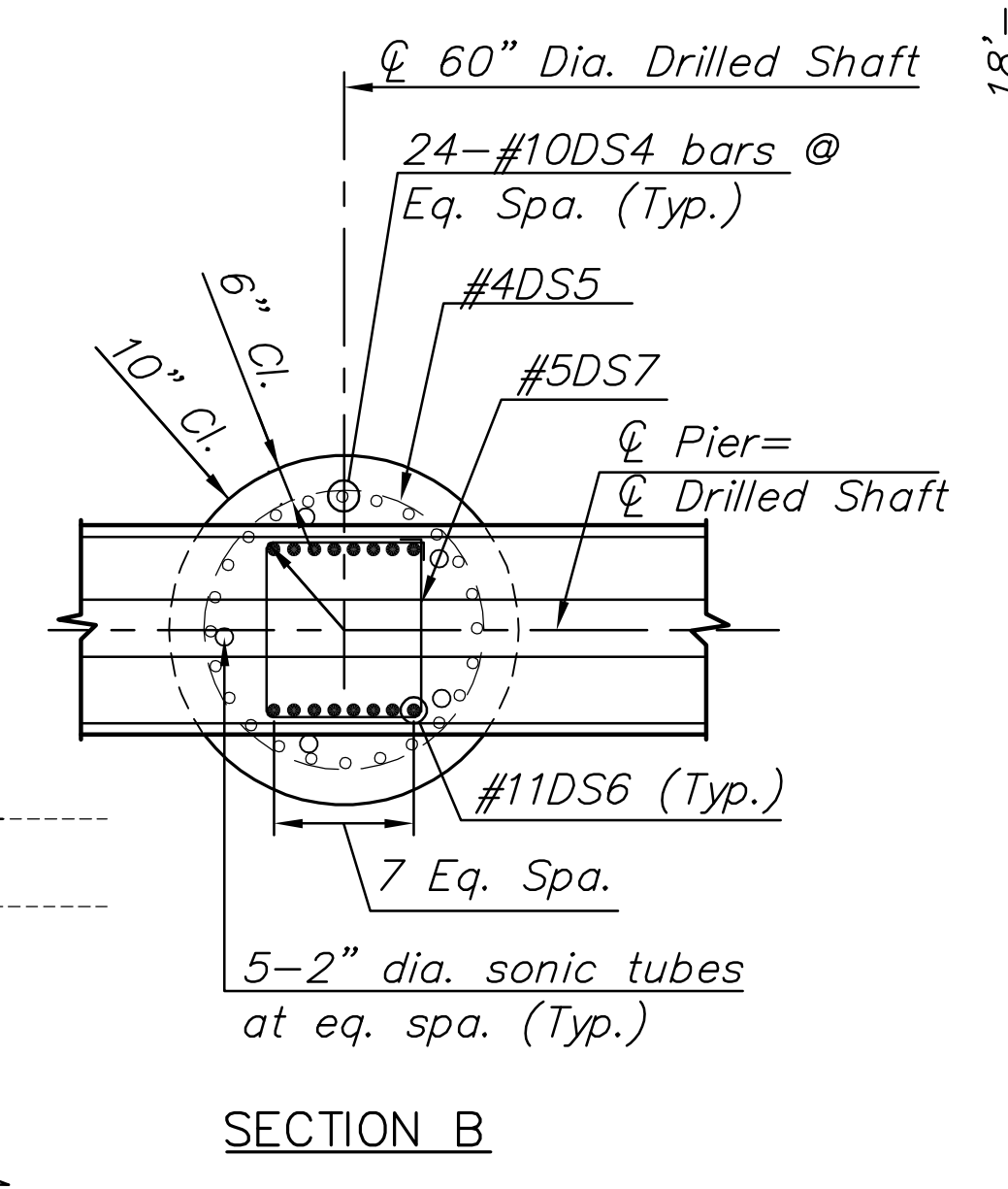
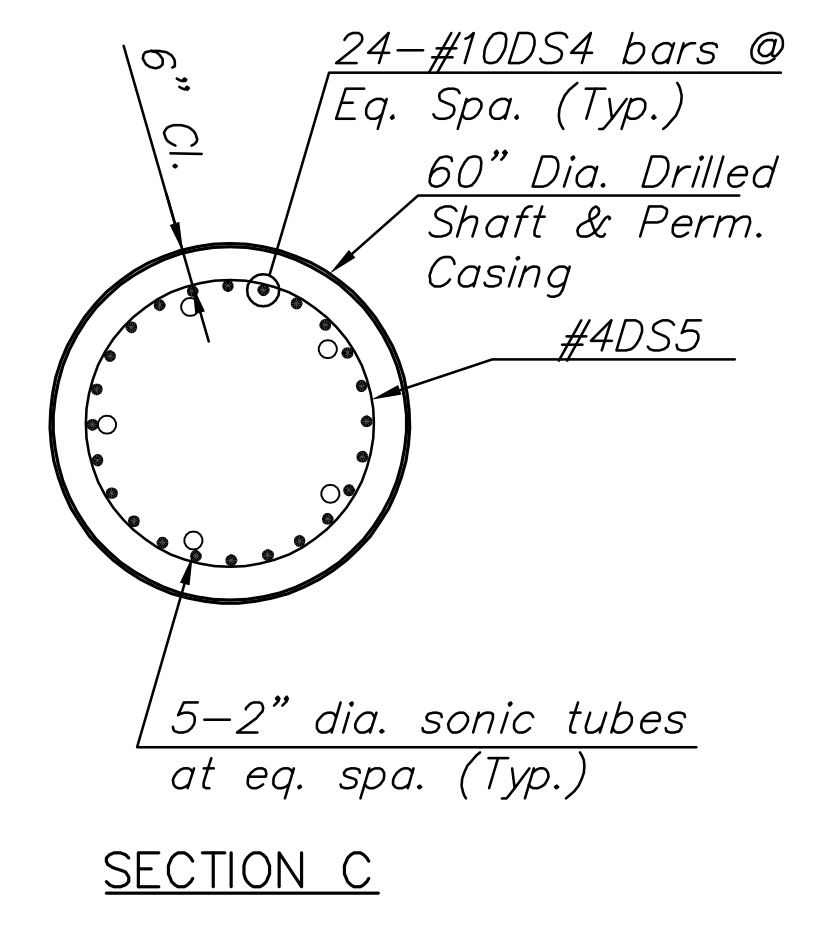
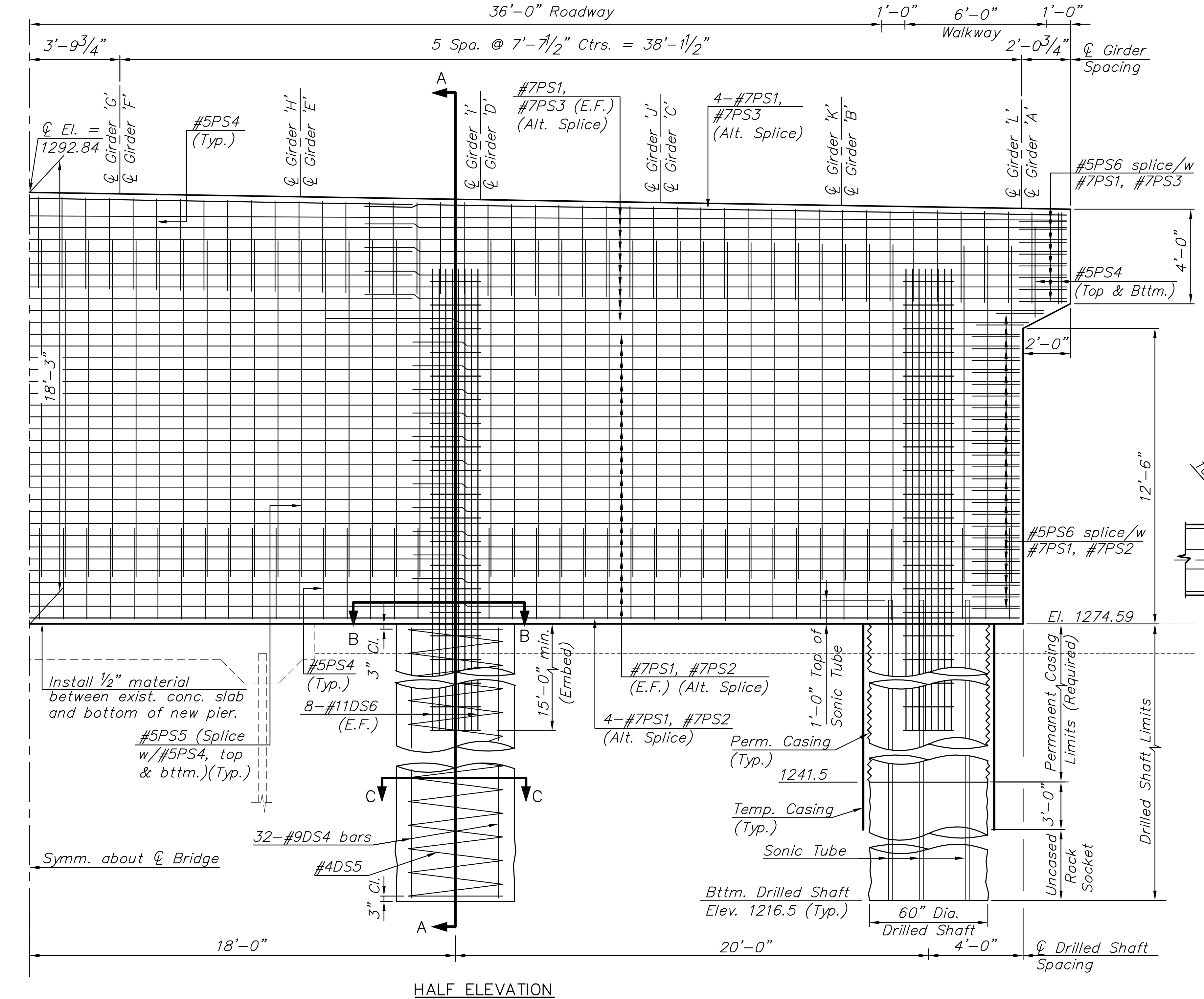
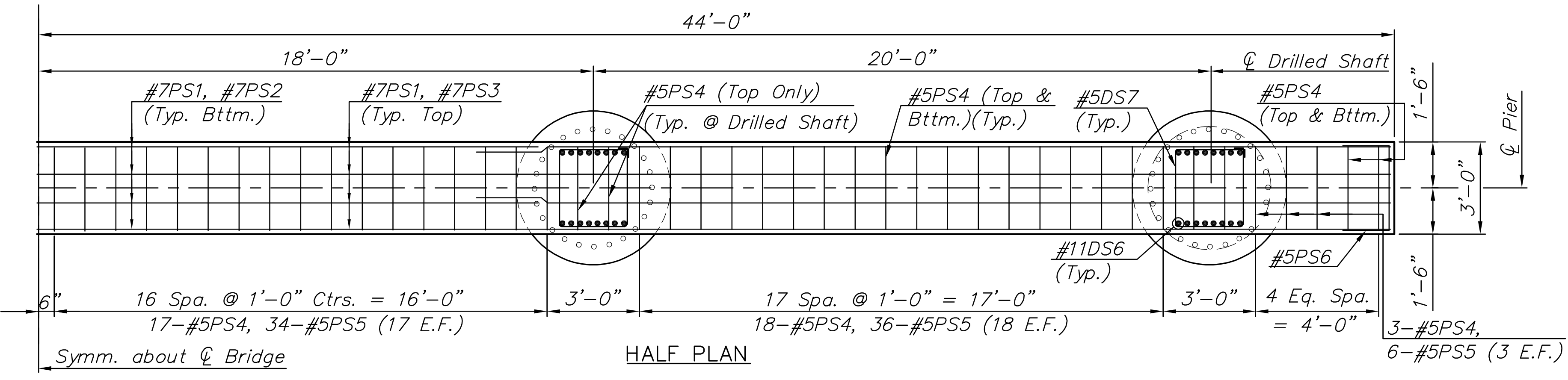
STATE	PROJECT NO.	YEAR	SHEET NO.	TOTAL SHEETS
KANSAS	87 N-0361-01	2011	56	169

MKEC
ENGINEERING
CONSULTANTS, INC.
411 N. WEBB ROAD
WICHITA, KS. 67206
316-684-9600

Drilled Shaft at Pier No. 1 and No. 2 shall be constructed by the cased Method. A permanent casing shall be required.

Provide sonic non-destructive integrity testing of the completed drilled shafts and rock sockets as directed by the Engineer.

The permanent casing is subsidiary to the bid item "Drilled Shafts (60" Dia.)."



Location/Girder	'A' & 'L'	'B' & 'K'	'C' & 'J'	'D' & 'I'	'E' & 'H'	'F' & 'G'
Pier No. 1	1292.18	1292.30	1292.42	1292.54	1292.66	1292.78
Pier No. 2	1292.18	1292.30	1292.42	1292.54	1292.66	1292.78

**LINCOLN STREET BRIDGE AND
DAM IMPROVEMENTS OVER
ARKANSAS RIVER**

LINCOLN ST. BRIDGE PIER DETAILS
SHEET TITLE
472-84883
PROJECT NUMBER

DESIGN BY: JAG
DRAWN BY: DPG
CHECKED BY: KJS

ISSUED: 1/24/2011
REVISED:

SHEET NO. 56 of 169

PLOTTED: Friday, January 28, 2011 @ 02:49PM

J:\CIVIL\07433\DWG\BRIDGE\PLANS\07433_PIER_ELEV_SOLID_WALL.DWG