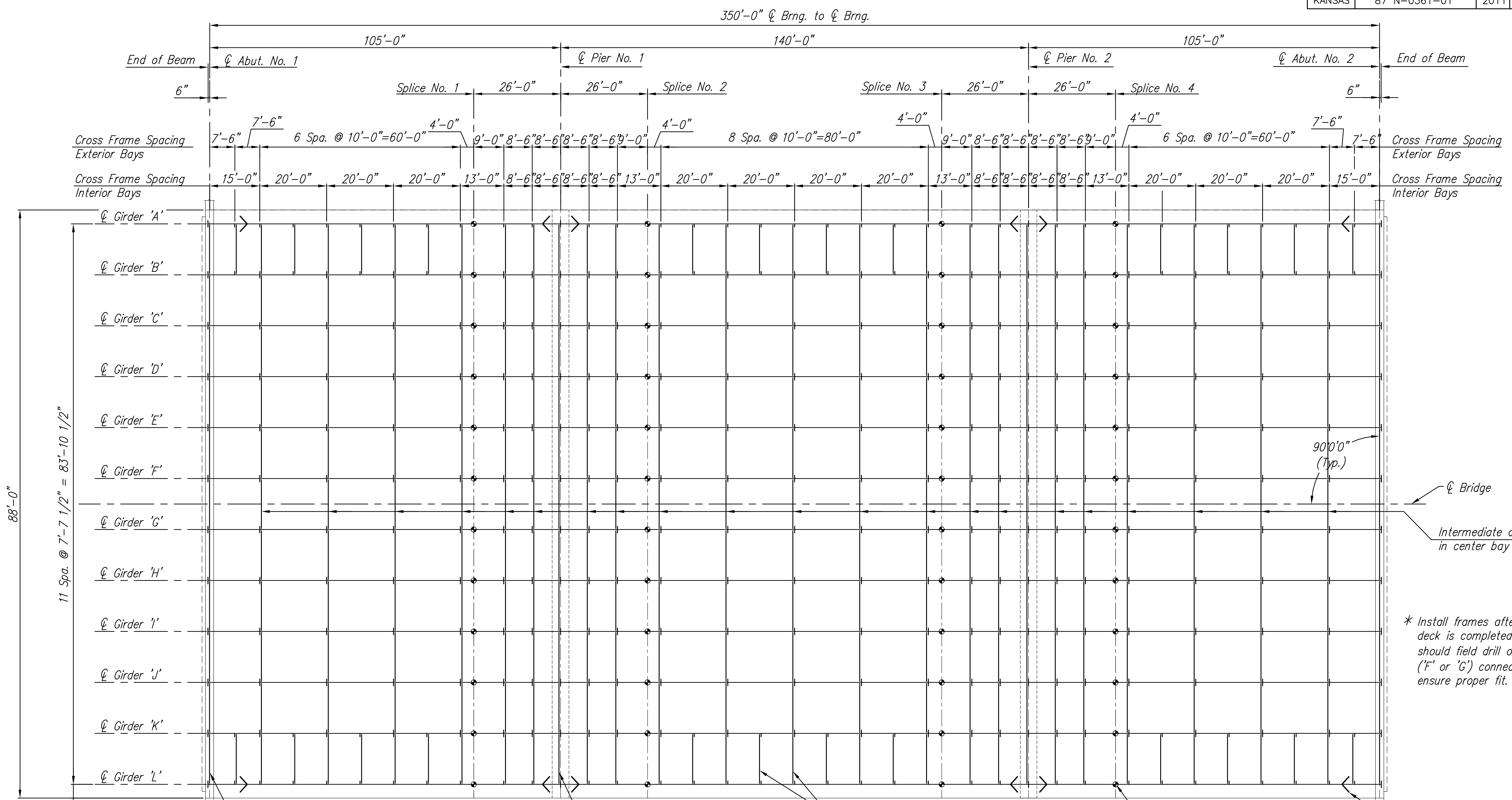


STATE	PROJECT NO.	YEAR	SHEET NO.	TOTAL SHEETS
KANSAS	87 N-0361-01	2011	59	169

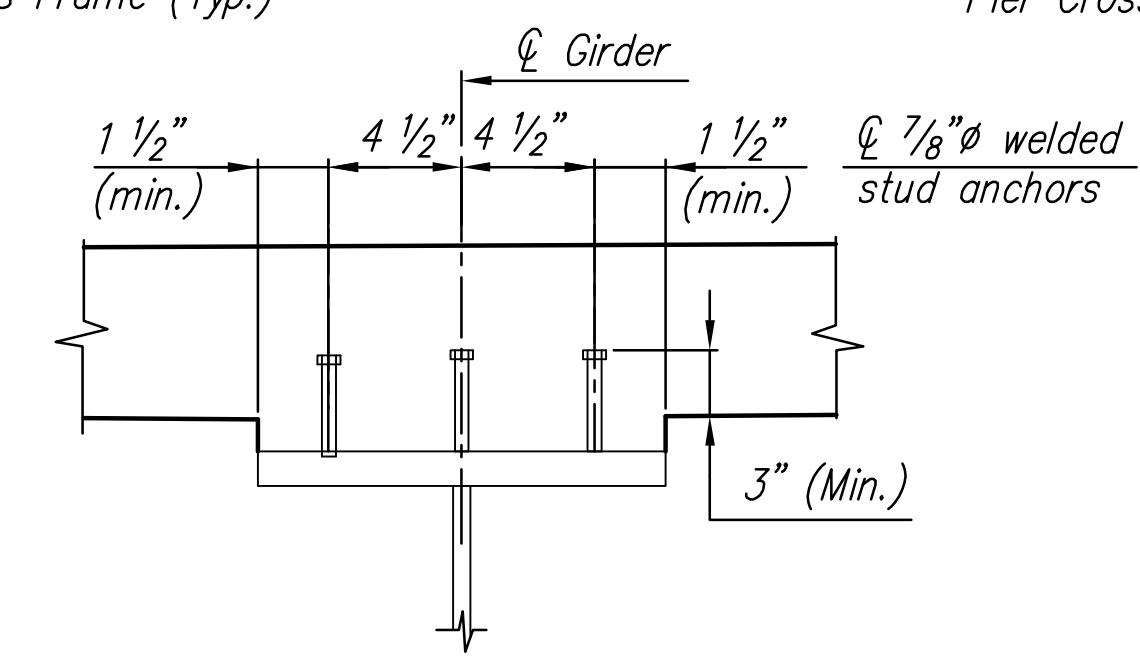
MKEC
ENGINEERING
CONSULTANTS, INC.
411 N. WEBB ROAD
WICHITA, KS. 67206
316-684-9600

**LINCOLN STREET BRIDGE AND
DAM IMPROVEMENTS OVER
ARKANSAS RIVER**



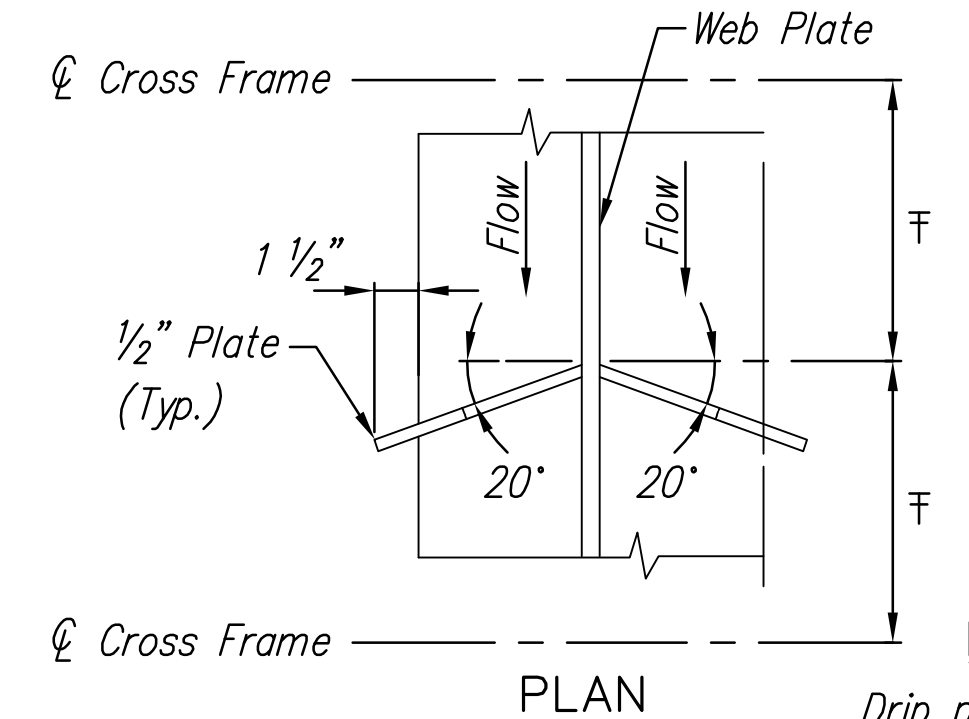
88'-0"
11 Spa. @ 7'-7 1/2" = 83'-10 1/2"

2'-0 3/4"
(Typ.)

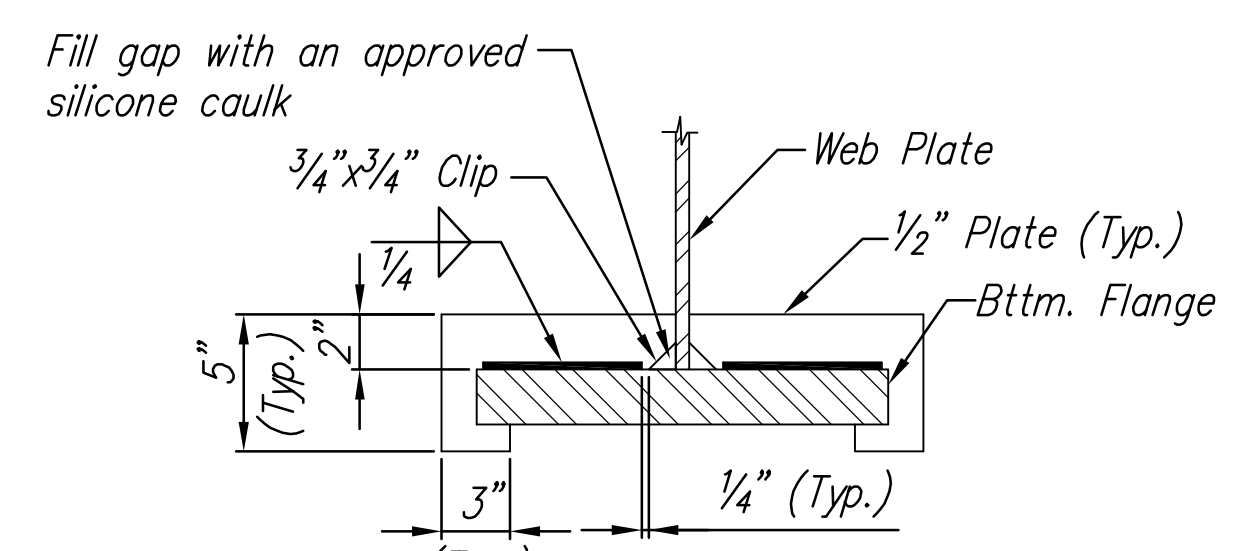


WELDED STUD SHEAR CONNECTOR DETAIL
All welded stud shear connectors shall conform to AASHTO M169 requirements.

FRAMING PLAN



PLAN



ELEVATION

Fill gap with an approved silicone caulk
Drip plates are located on the exterior beams as shown on framing plan.
‡ Half distance between cross frames

* Install frames after casting of deck is completed. Contractor should field drill one girderline's ('F' or 'G') connection plates to ensure proper fit.

LINCOLN ST. BRIDGE FRAMING PLAN
SHEET TITLE
472-84883
PROJECT NUMBER

JAG
DESIGN BY
DPG
DRAWN BY
KJS
CHECKED BY

ISSUED
1/24/2011
REVISED

SHEET NO.
59 of 169

PLOTTED: Tuesday, January 25, 2011 @ 08:47AM

J:\CIVIL\07433\DWG\BRIDGE\PLANS\07433_FRAMING_PLAN.DWG