

STATE	PROJECT NO.	YEAR	SHEET NO.	TOTAL SHEETS
KANSAS	87 N-0361-01	2011	60	169

MKEC
ENGINEERING
CONSULTANTS, INC.
411 N. WEBB ROAD
WICHITA, KS. 67206
316-684-9600

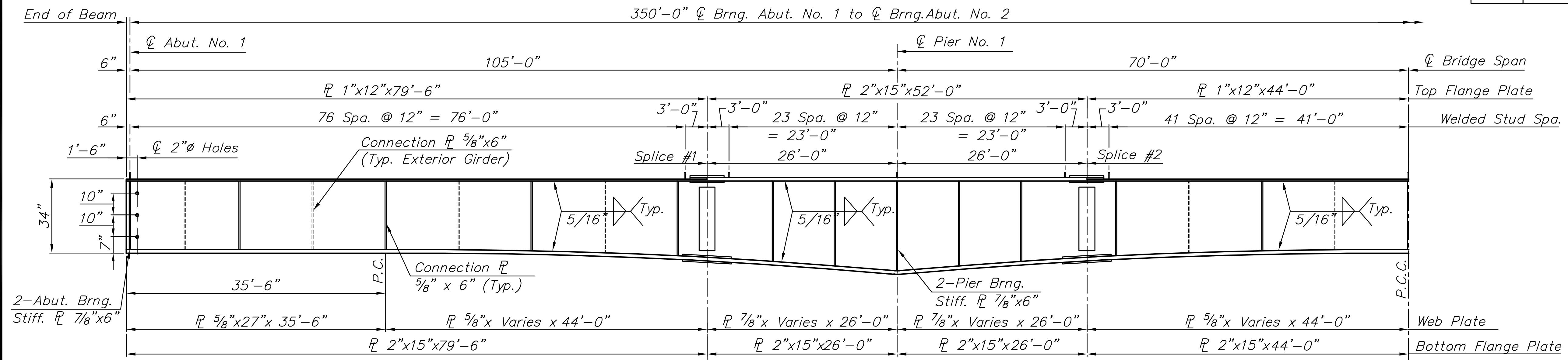
**LINCOLN STREET BRIDGE AND
DAM IMPROVEMENTS OVER
ARKANSAS RIVER**

**LINCOLN ST.
BRIDGE
GIRDER
DETAILS**
SHEET TITLE
472-84883
PROJECT NUMBER

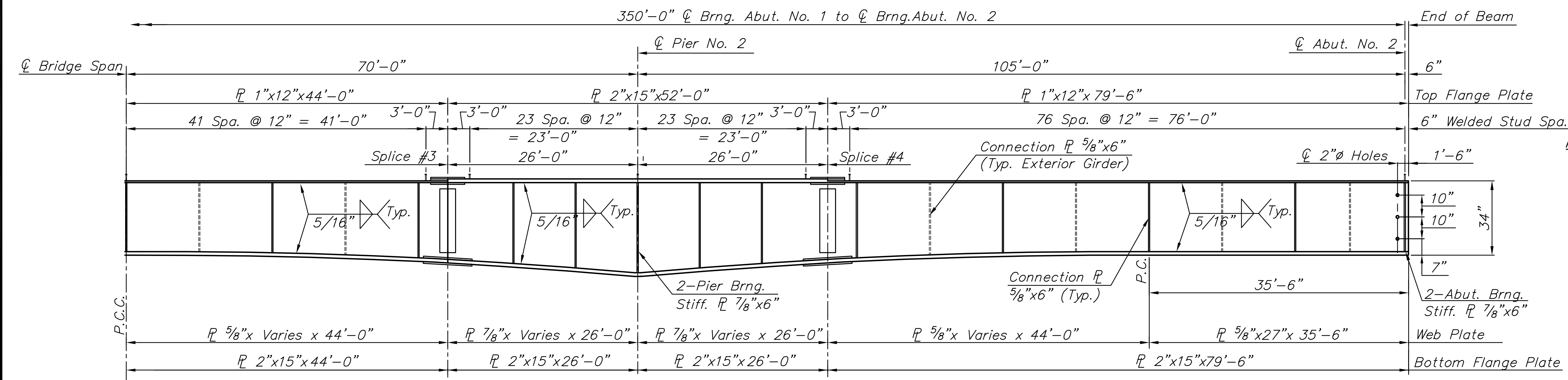
JAG
DESIGN BY
DPG
DRAWN BY
KJS
CHECKED BY

ISSUED
1/24/2011
REVISED

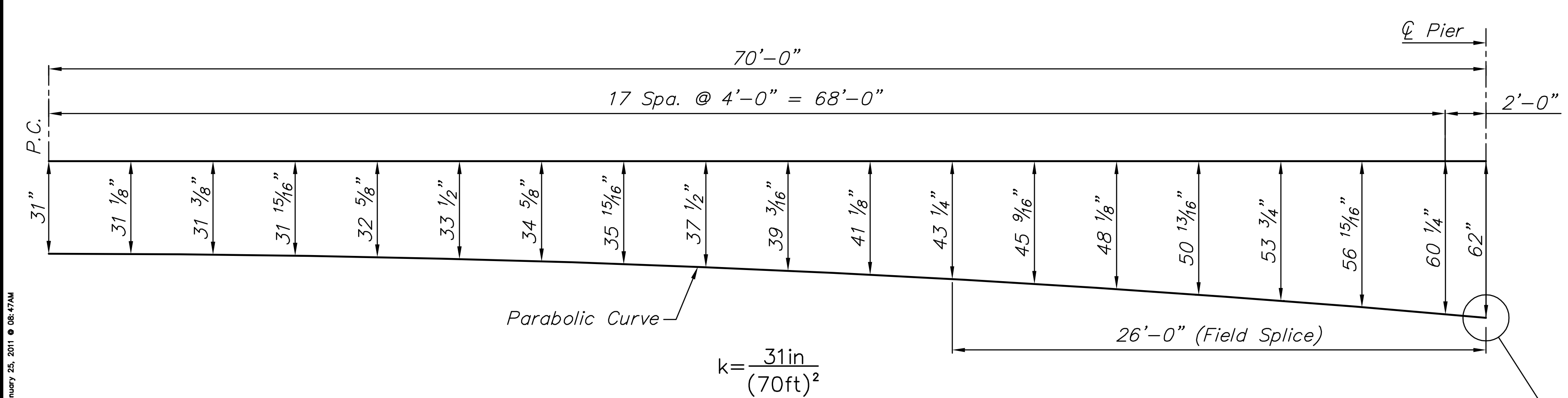
SHEET NO.
60 of 169



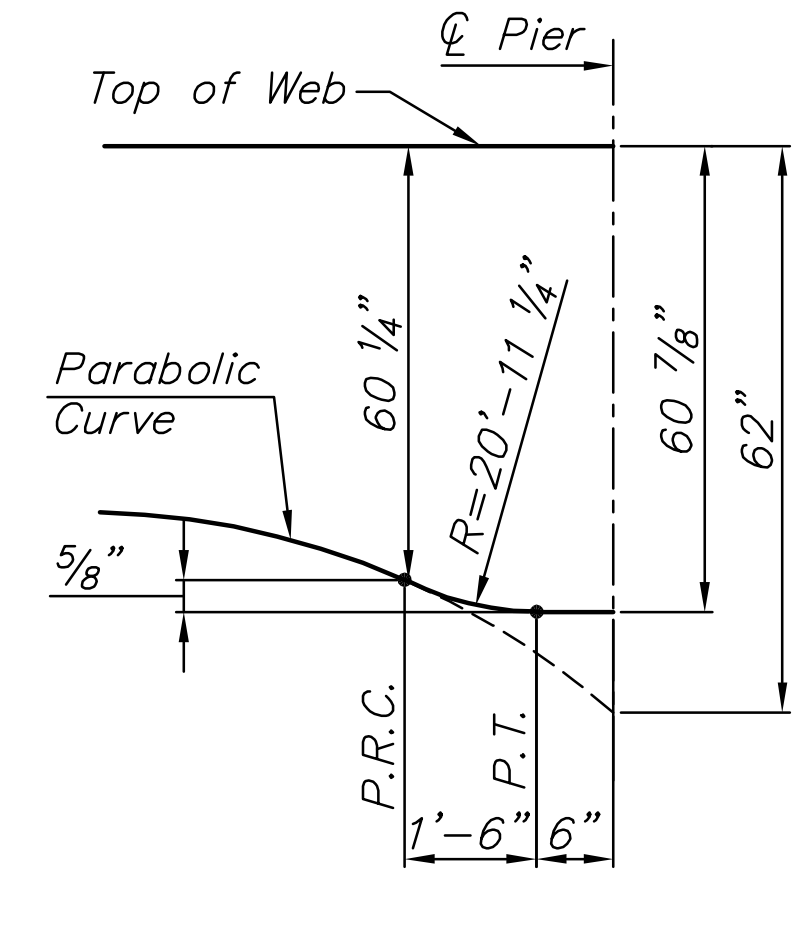
PART GIRDER ELEVATION



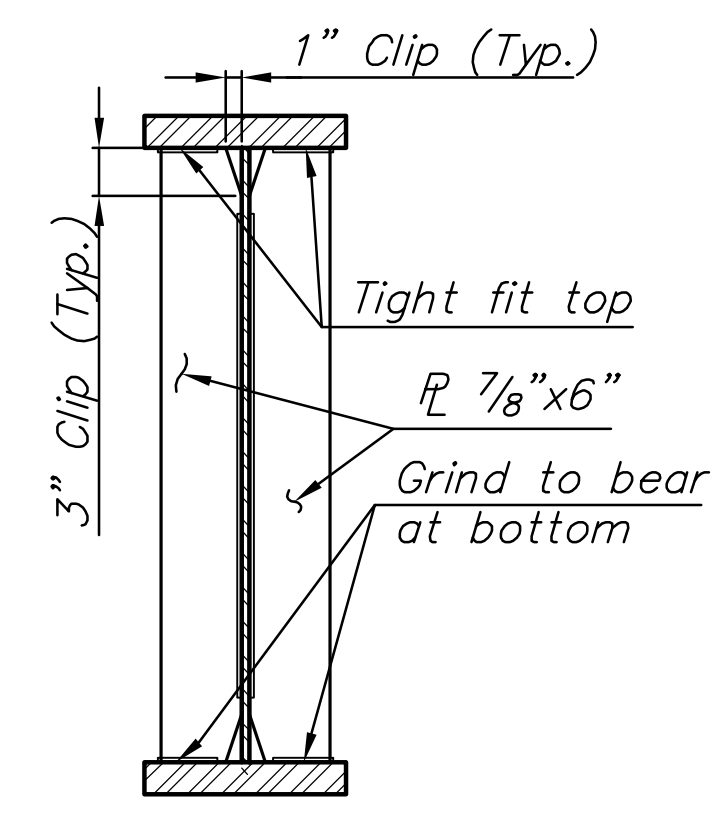
PART GIRDER ELEVATION



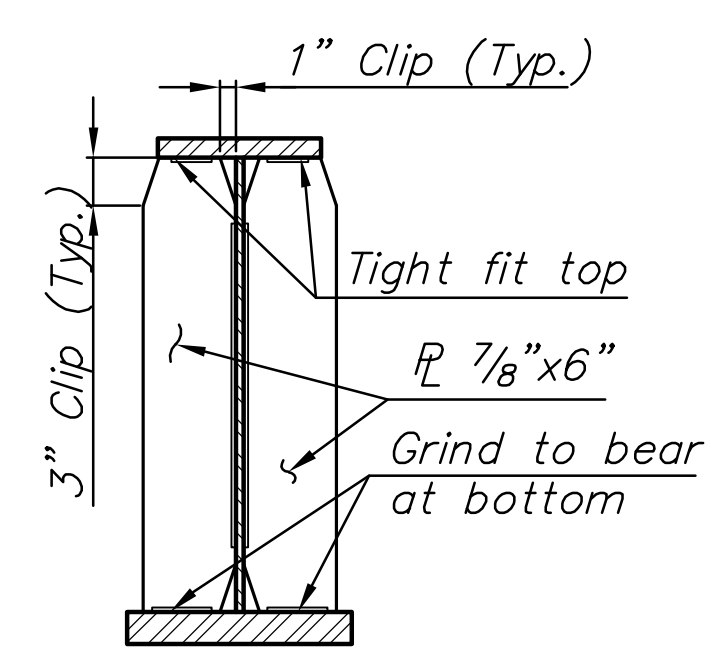
STEEL BEAM PARABOLIC HAUNCH DIAGRAM
(Girder Web)



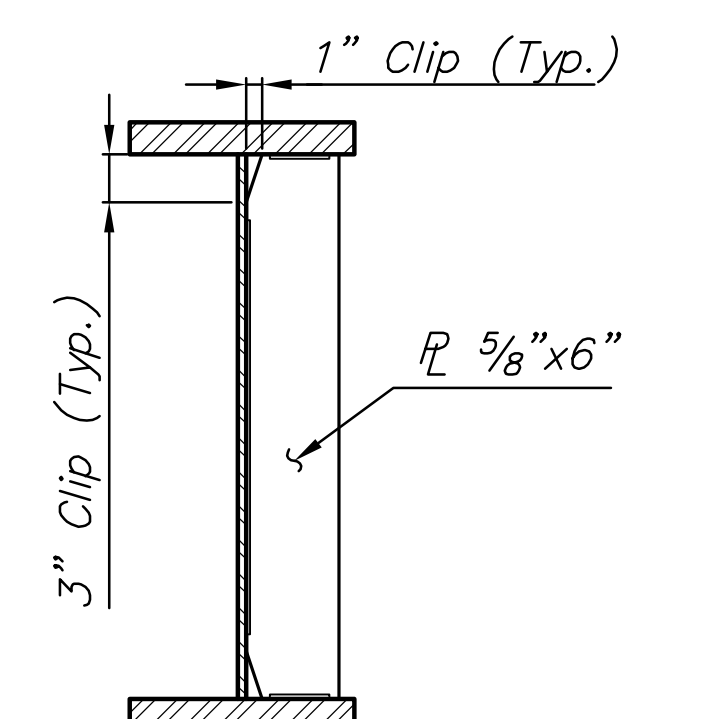
WEB GEOMETRY DETAIL



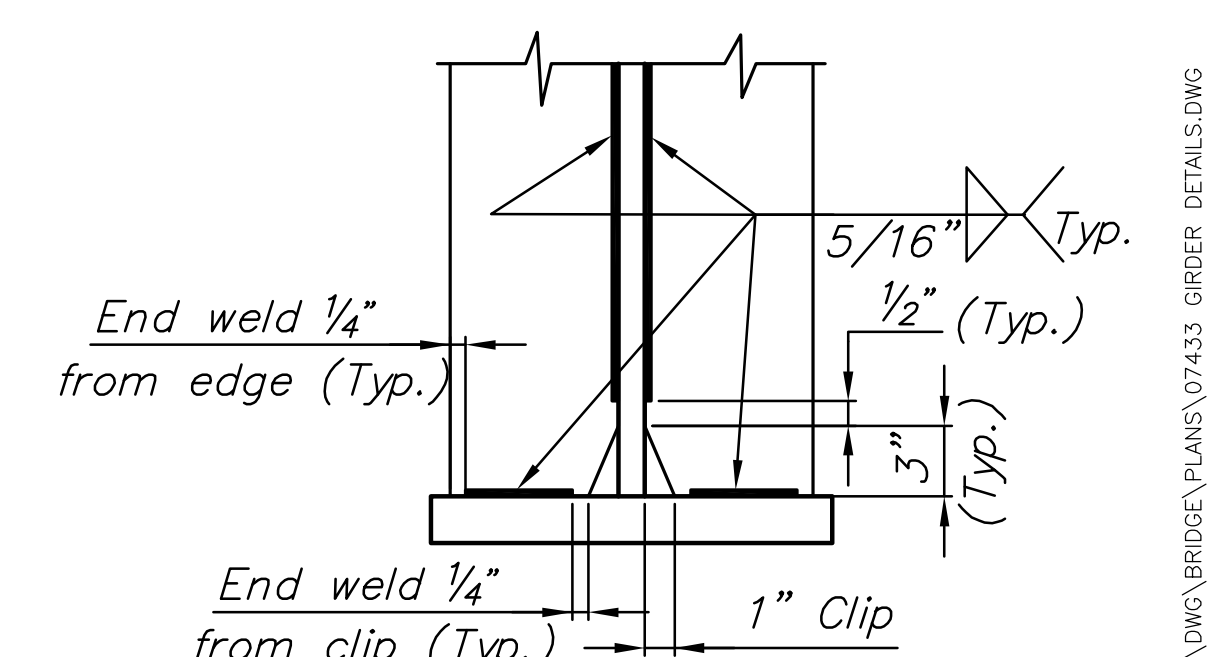
PIER BEARING STIFFENER DETAIL



ABUTMENT BEARING STIFFENER DETAIL



CONNECTION PLATE DETAIL
(Exterior Girder Shown)



STIFFENER AND CONNECTION PLATE WELD DETAIL

PLOTTED: Tuesday, January 25, 2011 @ 08:47AM

J:\CIVIL\07433\DWG\BRIDGE\PLANS\07433 GIRDER DETAILS.DWG