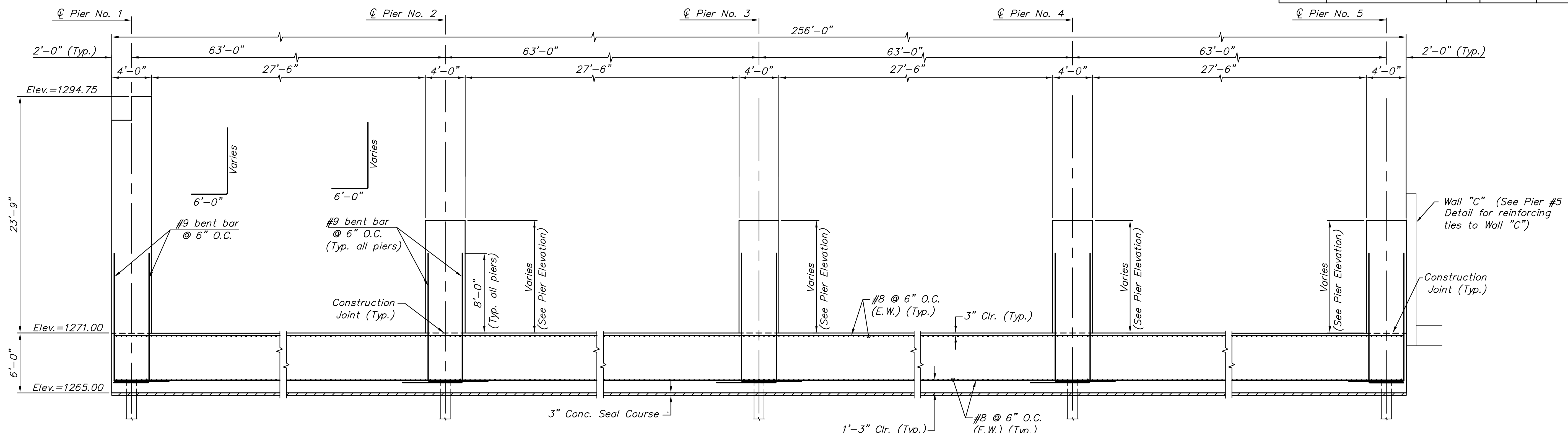


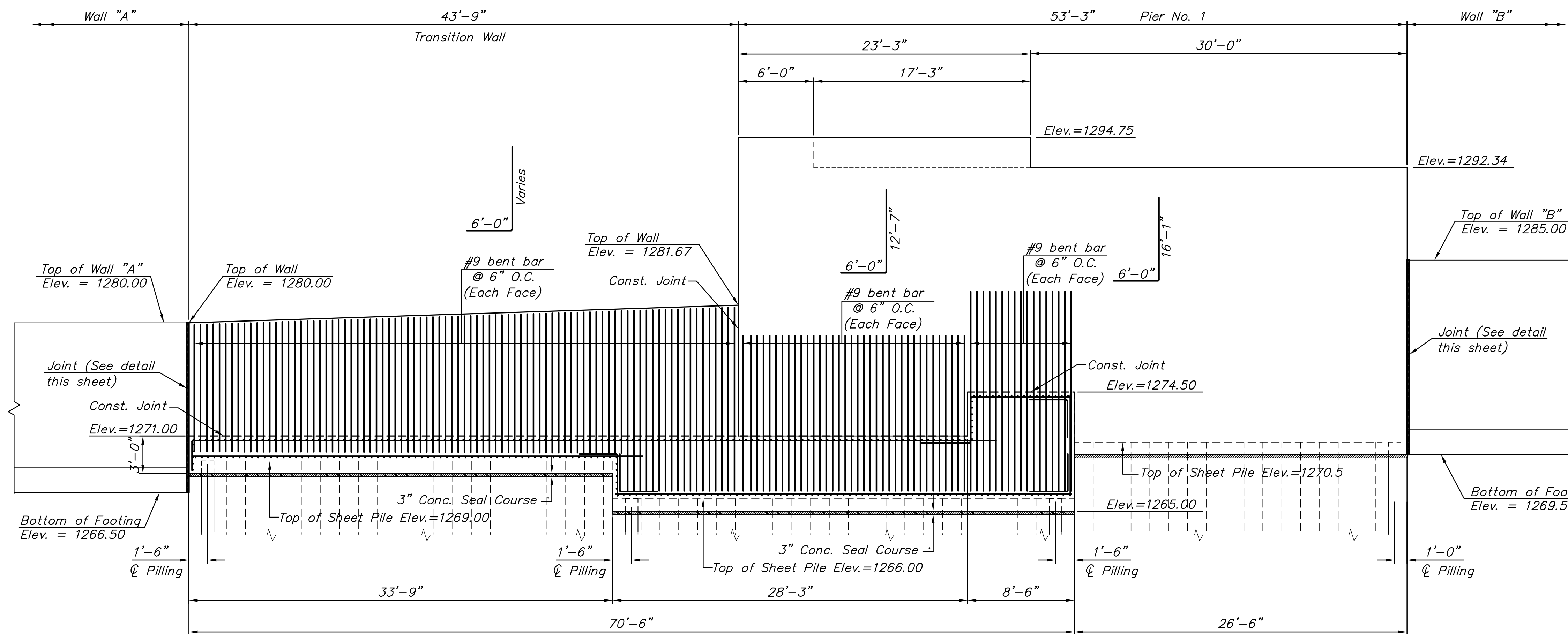
STATE	PROJECT NO.	YEAR	SHEET NO.	TOTAL SHEETS
KANSAS	87 N-0361-01	2011	84	169

MKEC
ENGINEERING
CONSULTANTS, INC.
411 N. WEBB ROAD
WICHITA, KS. 67206
316-684-9600

**LINCOLN STREET BRIDGE AND
DAM IMPROVEMENTS OVER
ARKANSAS RIVER**



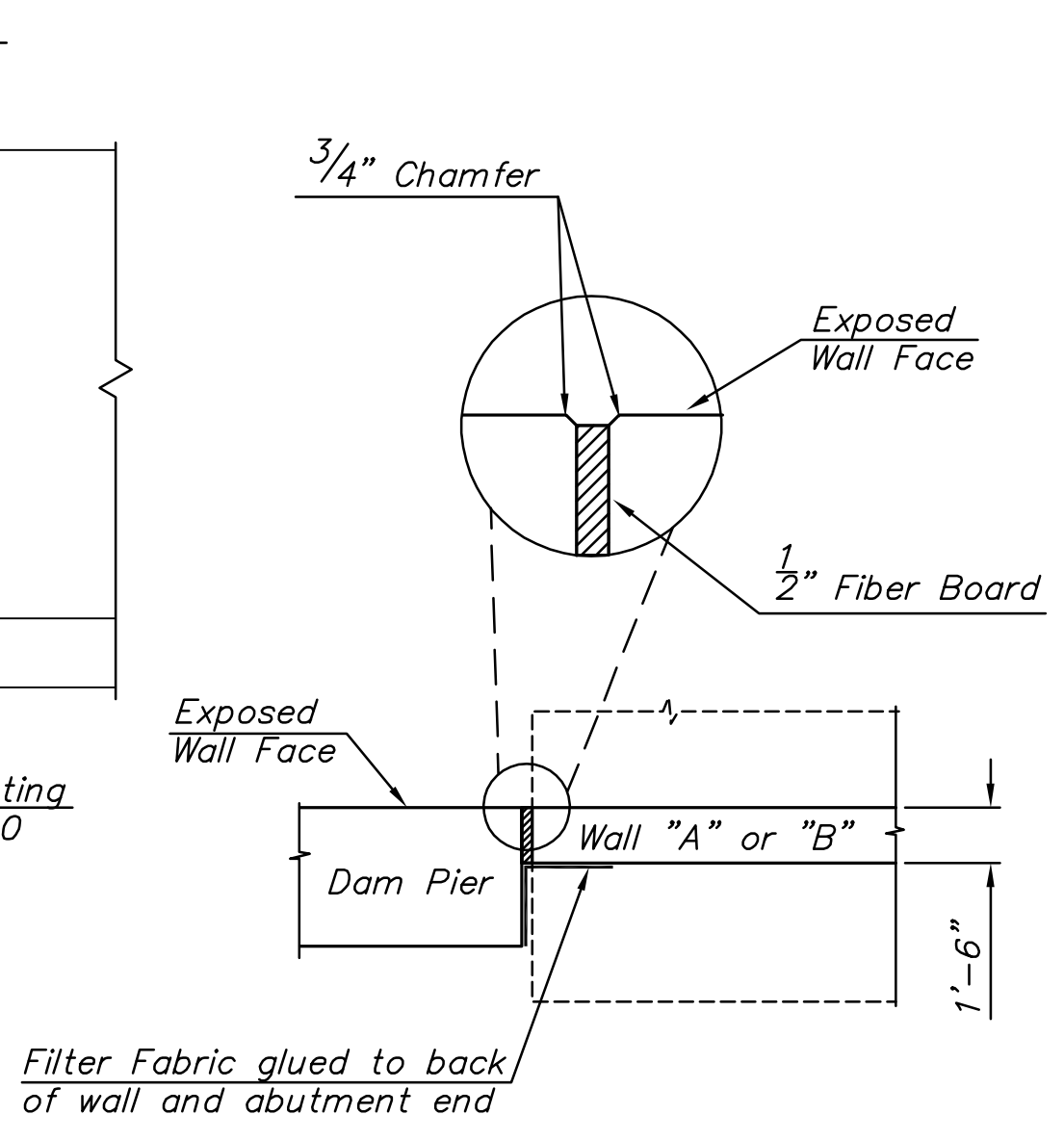
SECTION A-A



SECTION B-B

See Sheet No. 85 for reinforcing details in spillway foundation.

NOTE:
See Sheet No. 36-38 for details of Retaining Walls "A" and "B".
See Sheet No. 86-88 for reinforcing in spillway Piers No. 1, 2, 3, 4, & 5.
Maintenance Structure not shown for clarity. Refer to Sheet No. 94-102 for Maintenance Structure details.



RETAINING WALL/DAM PIER JOINT

SPILLWAY REINFORCING SECTION A-A SECTION B-B
SHEET TITLE
472-84883
PROJECT NUMBER

DESIGN BY: JAG
DRAWN BY: DMU
CHECKED BY: KJS

ISSUED: 1/24/2011
REVISED:

SHEET NO.
84 of 169

PLOTTED: Tuesday, January 25, 2011 8:44 AM

J:\CIVIL\07433\DWG\DA\PLANS\07433_SPLWY_SEC_A_E.DWG