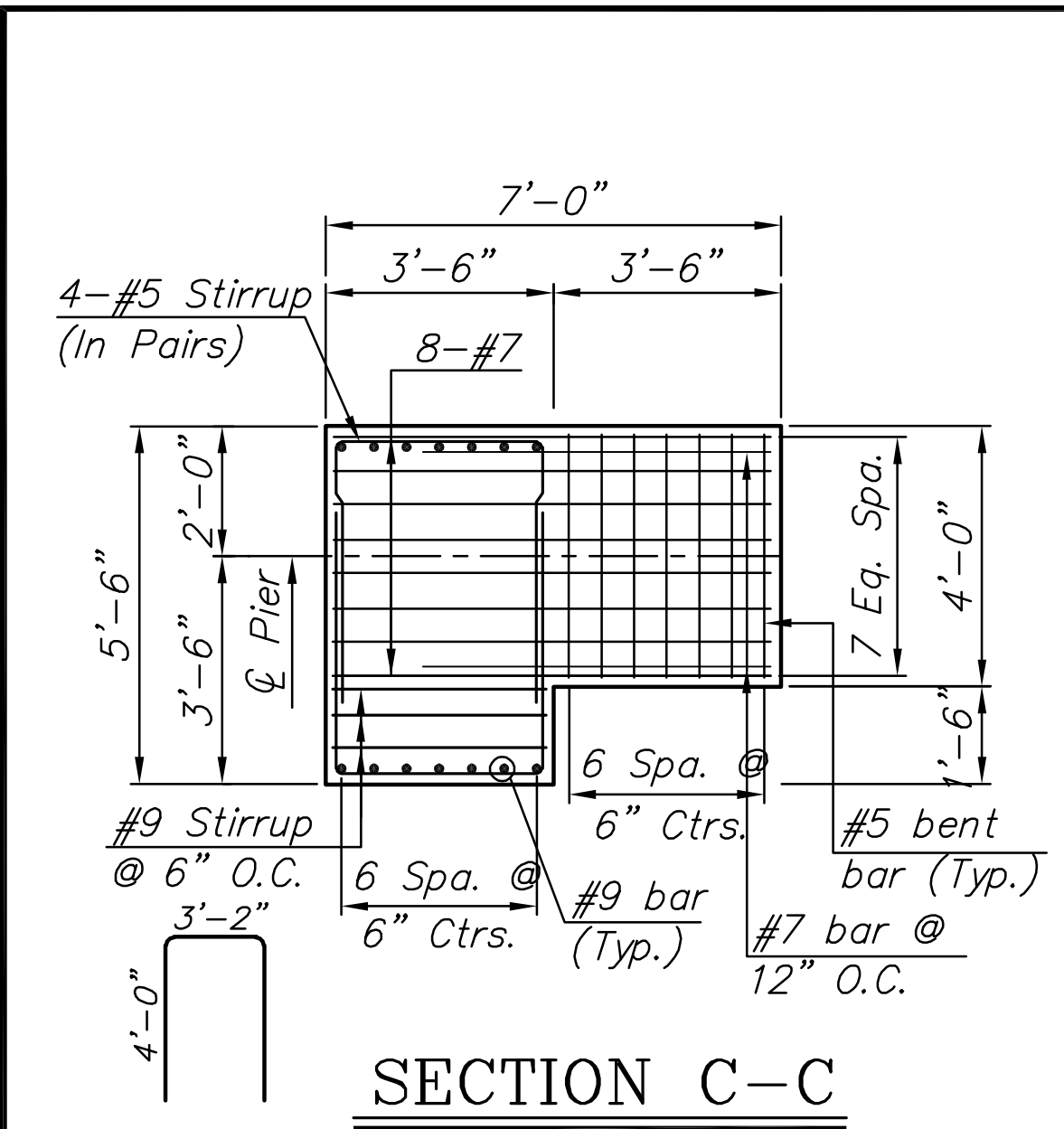


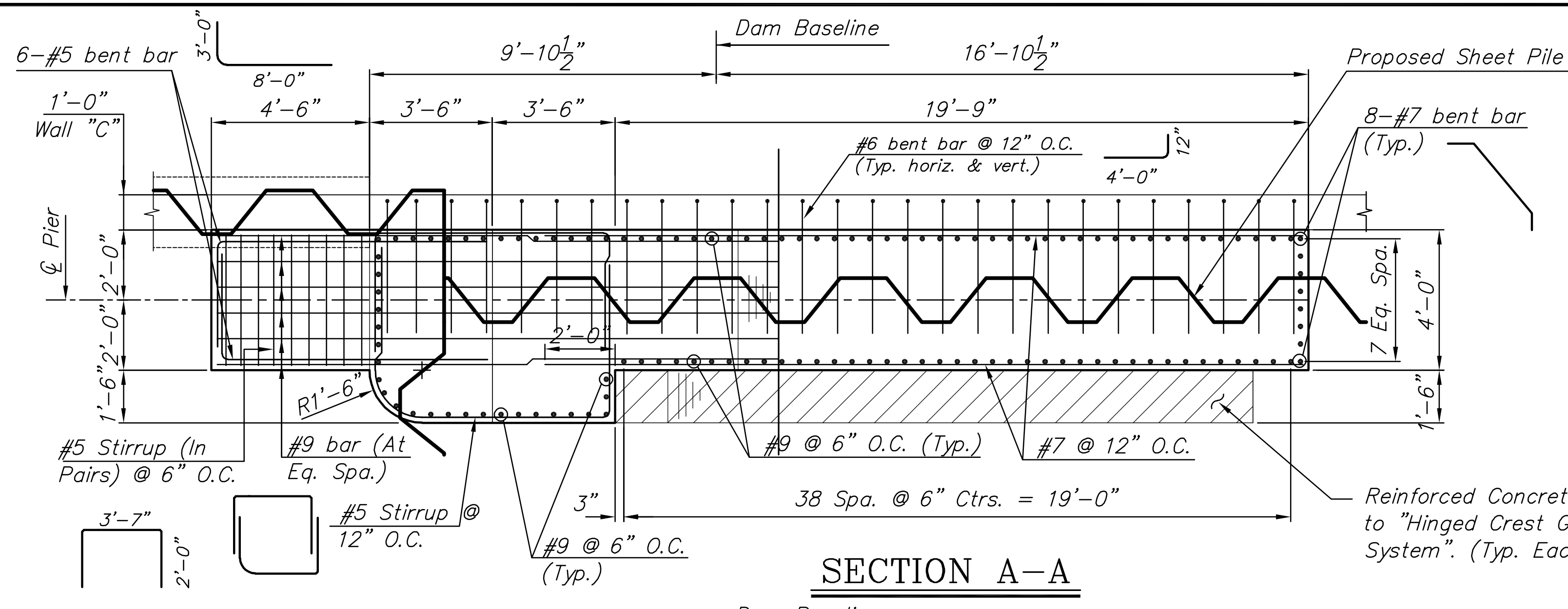
STATE	PROJECT NO.	YEAR	SHEET NO.	TOTAL SHEETS
KANSAS	87 N-0361-01	2011	88	169

MKEC
ENGINEERING
CONSULTANTS, INC.
411 N. WEBB ROAD
WICHITA, KS. 67206
316-684-9600

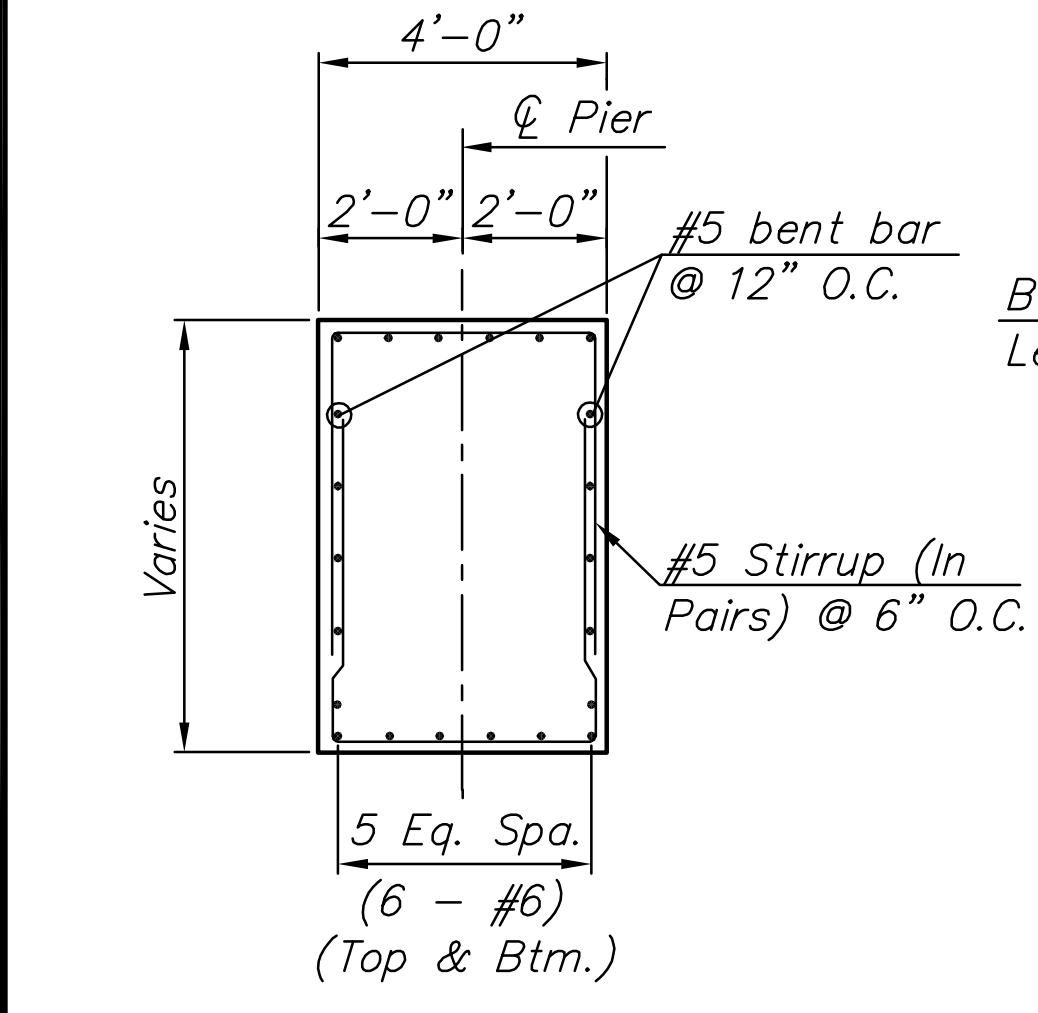
**LINCOLN STREET BRIDGE AND
DAM IMPROVEMENTS OVER
ARKANSAS RIVER**



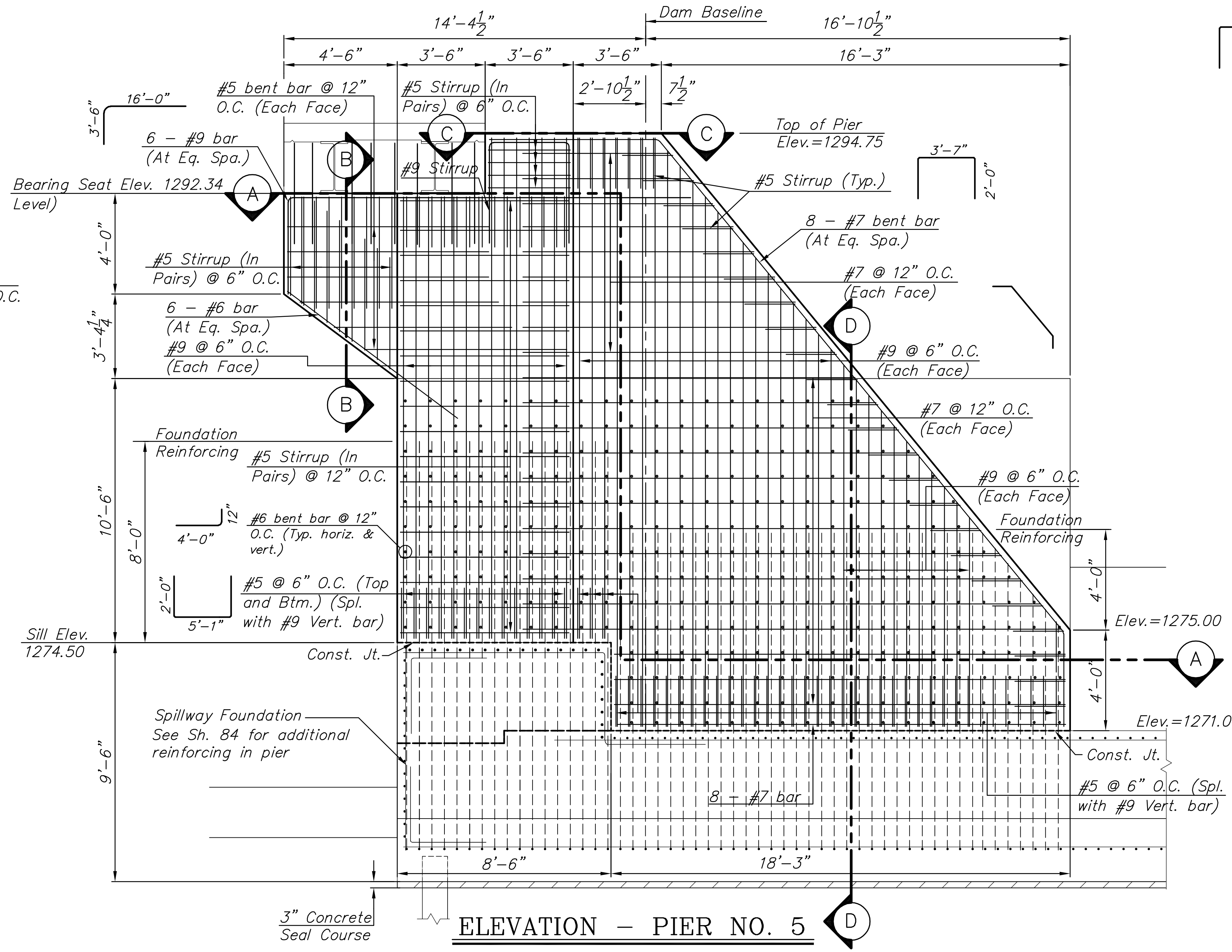
SECTION C-C



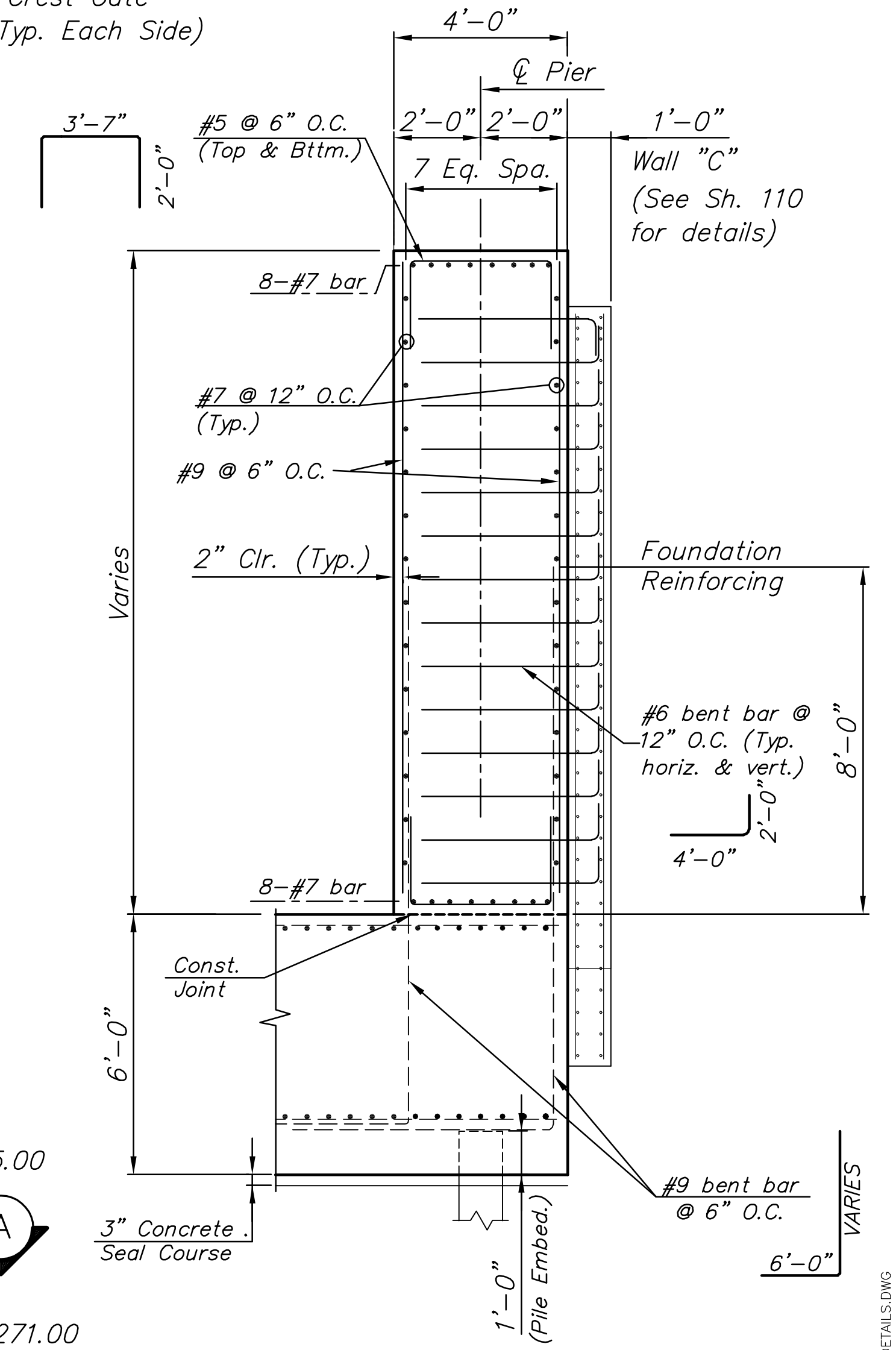
SECTION A-A



SECTION B-B



ELEVATION - PIER NO. 5



SECTION D-D

PLOTED: Tuesday, January 25, 2011 8:43 AM

J:\CIVIL\07433\DWG\DA\PLANS\07433_PIER 5 DETAILS.DWG

**PIER #5
REINFORCING
DETAILS**
SHEET TITLE
472-84883
PROJECT NUMBER

DESIGN BY: JAG
DRAWN BY: DMU
CHECKED BY: KJS

ISSUED: 1/24/2011
REVISED:

SHEET NO.
88 of 169