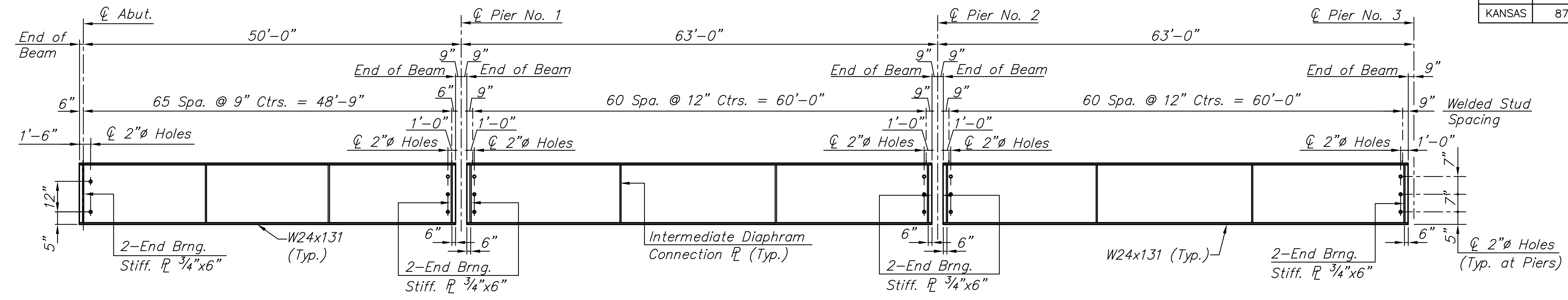


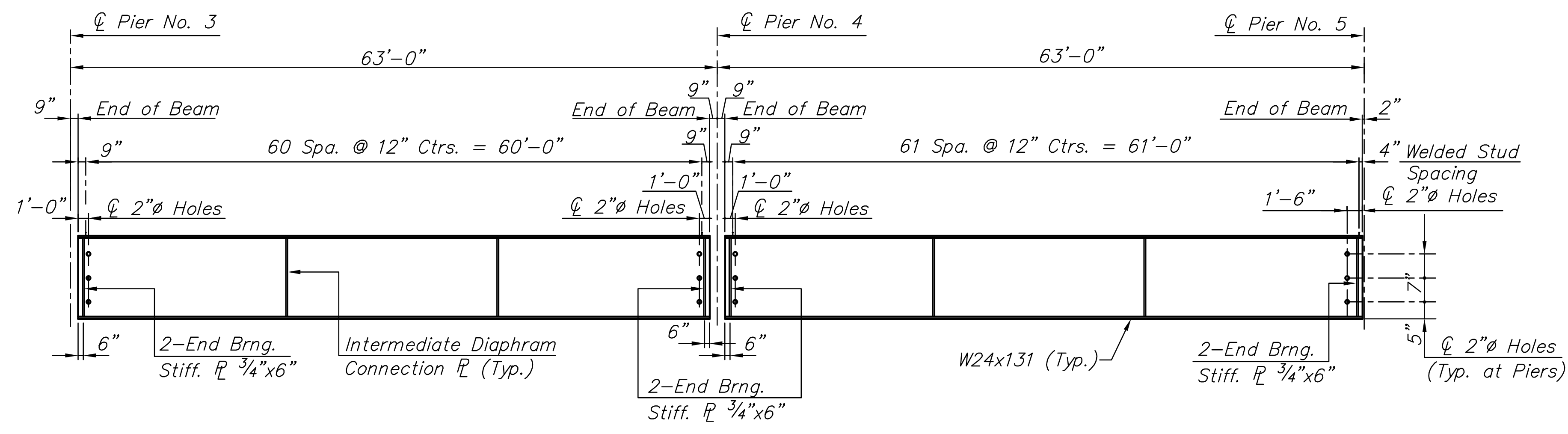
STATE	PROJECT NO.	YEAR	SHEET NO.	TOTAL SHEETS
KANSAS	87 N-0361-01	2011	98	169

MKEC
ENGINEERING
CONSULTANTS, INC.
411 N. WEBB ROAD
WICHITA, KS. 67206
316-684-9600

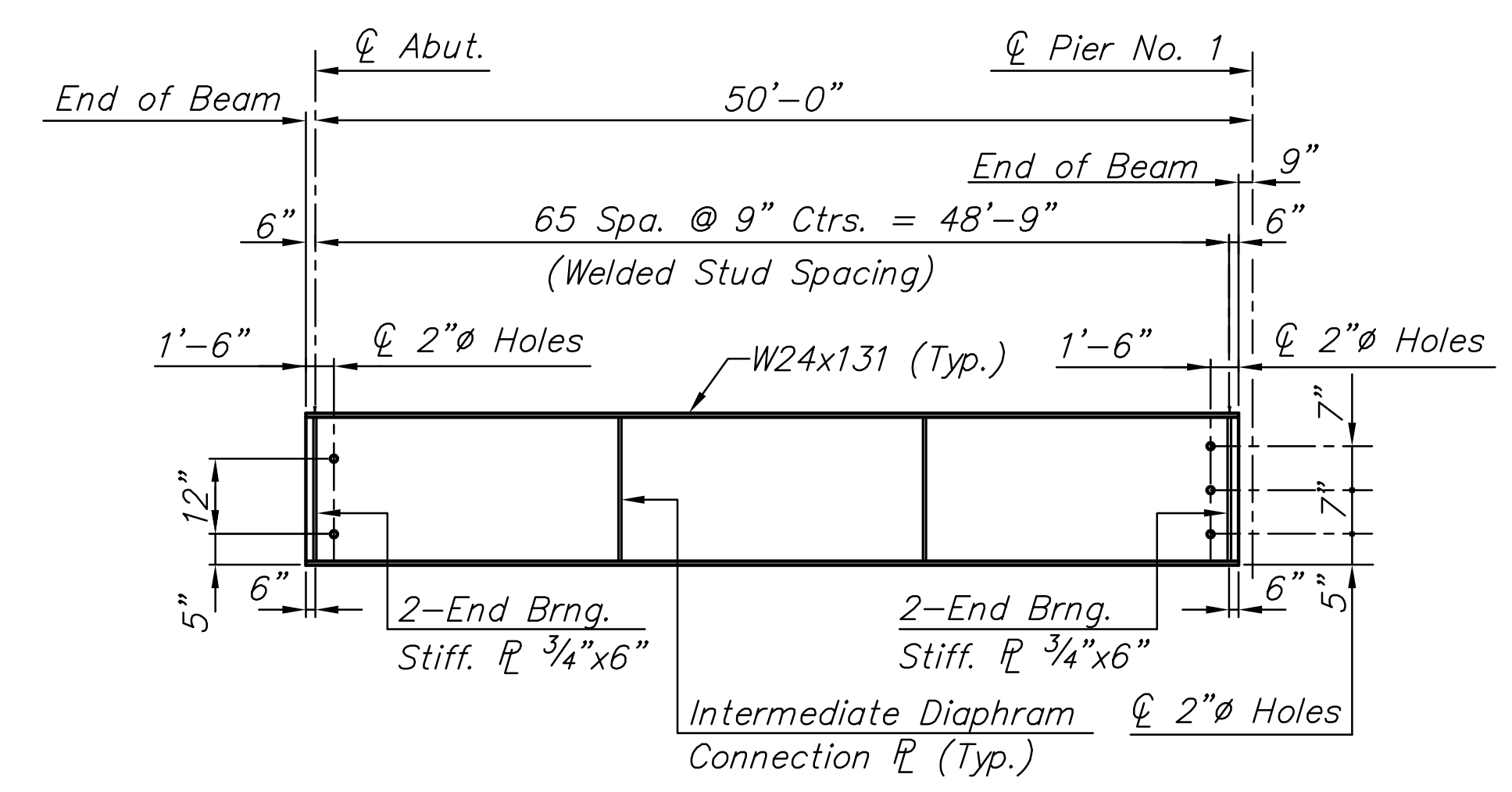
**LINCOLN STREET BRIDGE AND
DAM IMPROVEMENTS OVER
ARKANSAS RIVER**



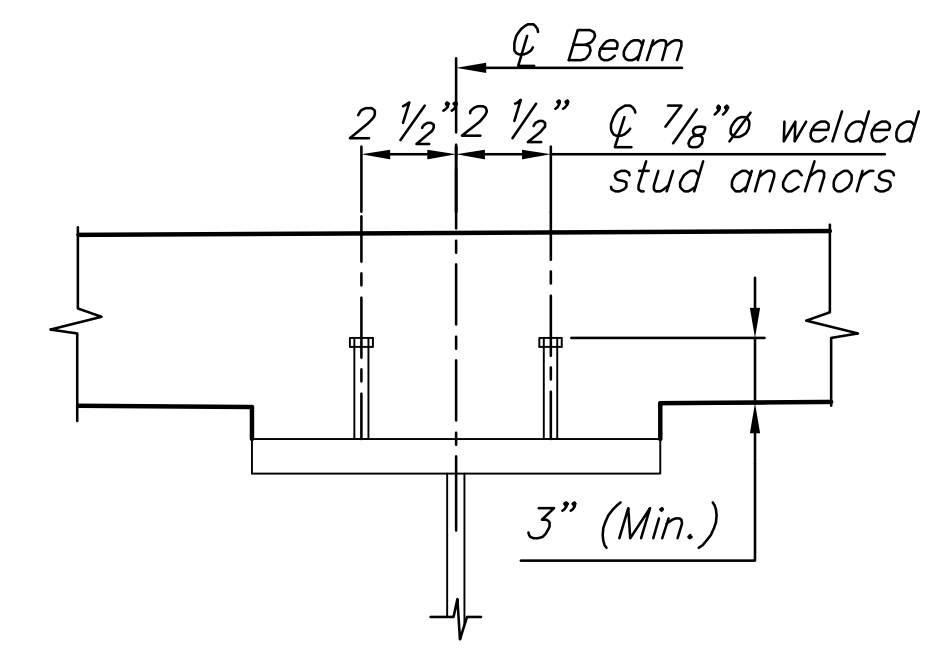
PARTIAL ELEVATION - BEAM 'EE' & 'FF'



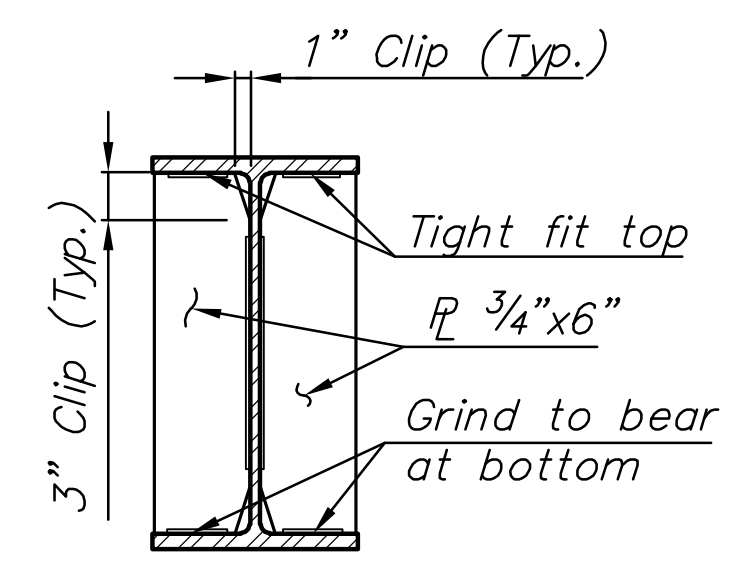
PARTIAL ELEVATION - BEAM 'EE' & 'FF'



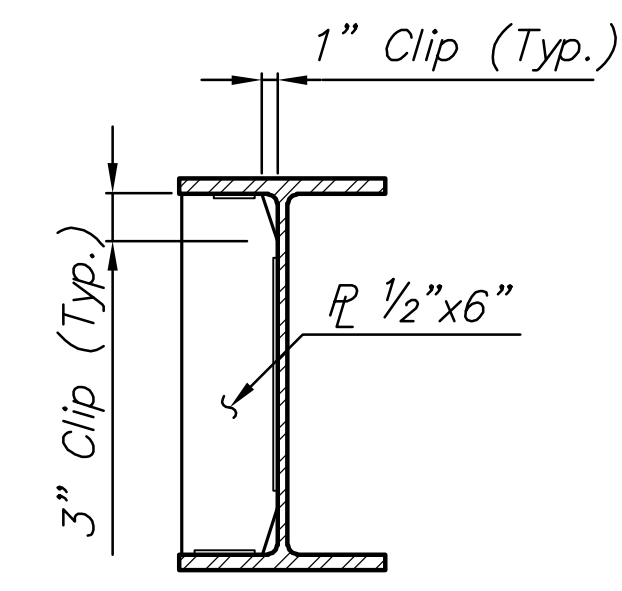
PARTIAL ELEVATION
BEAM 'AA' THRU 'KK'



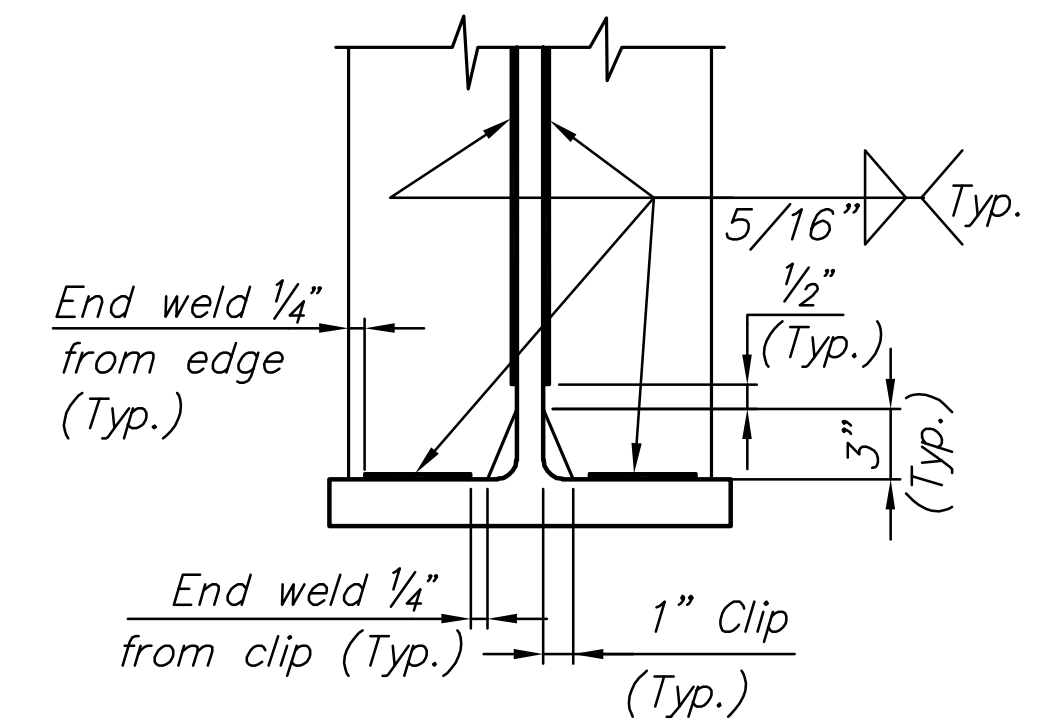
WELDED STUD SHEAR CONNECTOR DETAIL
All welded stud shear connectors shall conform to AASHTO M169 requirements.



END BEARING STIFFENER DETAIL



INTERMEDIATE CONNECTION PLATE DETAIL
(Exterior Beam Shown)



STIFFENER AND CONNECTION PLATE WELD DETAIL

PLOT: 1/25/2011 10:42 AM

**MAINTENANCE
STRUCTURE
GIRDER
DETAILS**
SHEET TITLE
472-84883
PROJECT NUMBER

DESIGN BY: JAG
DRAWN BY: DPG
CHECKED BY: KJS

ISSUED: 1/24/2011
REVISED:

SHEET NO.
98 of 169

J:\CIVIL\07433\DWG\07433 DAM\PLANS\07433 MAINT BR GIRDER DTLS.DWG