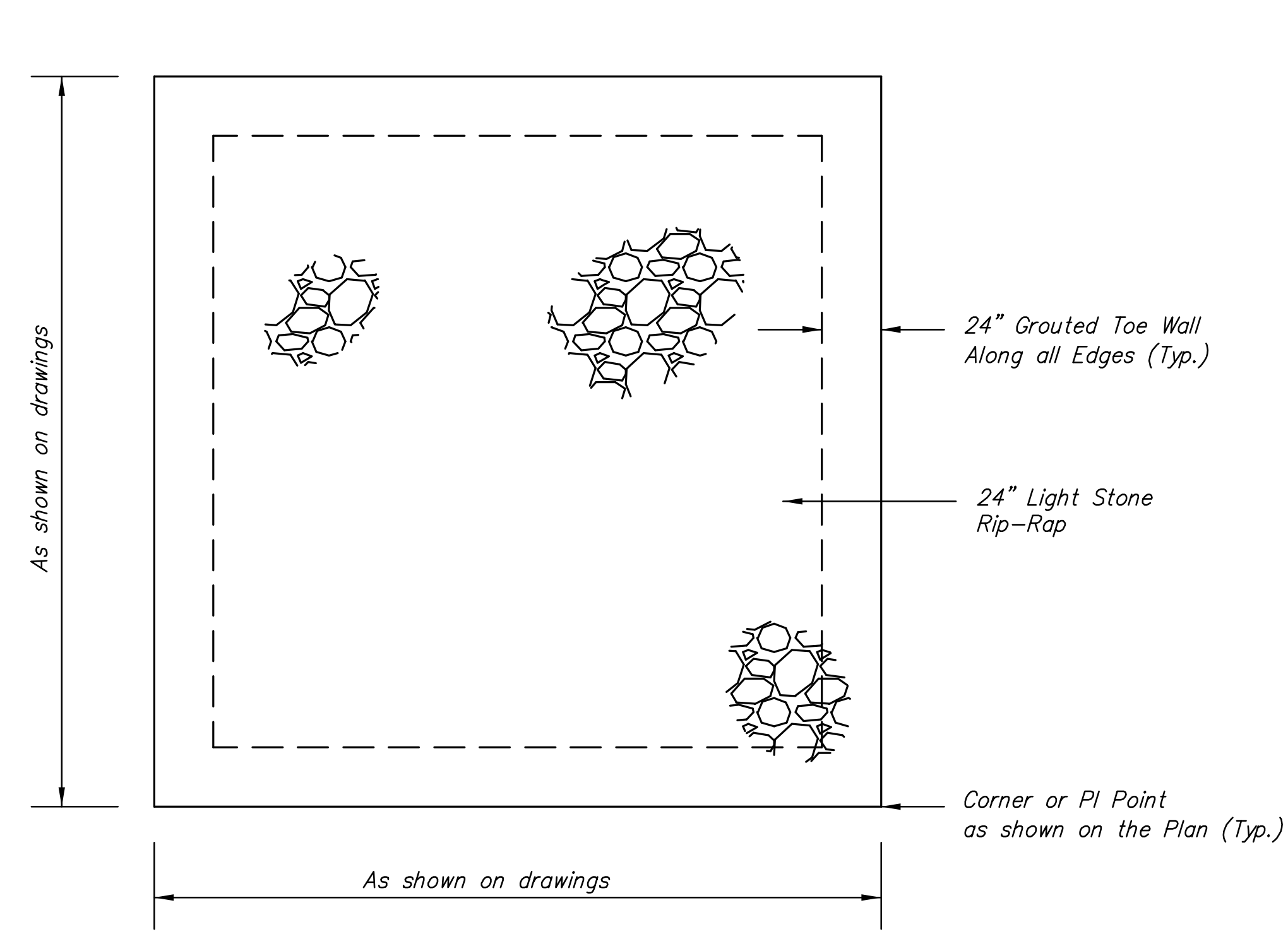


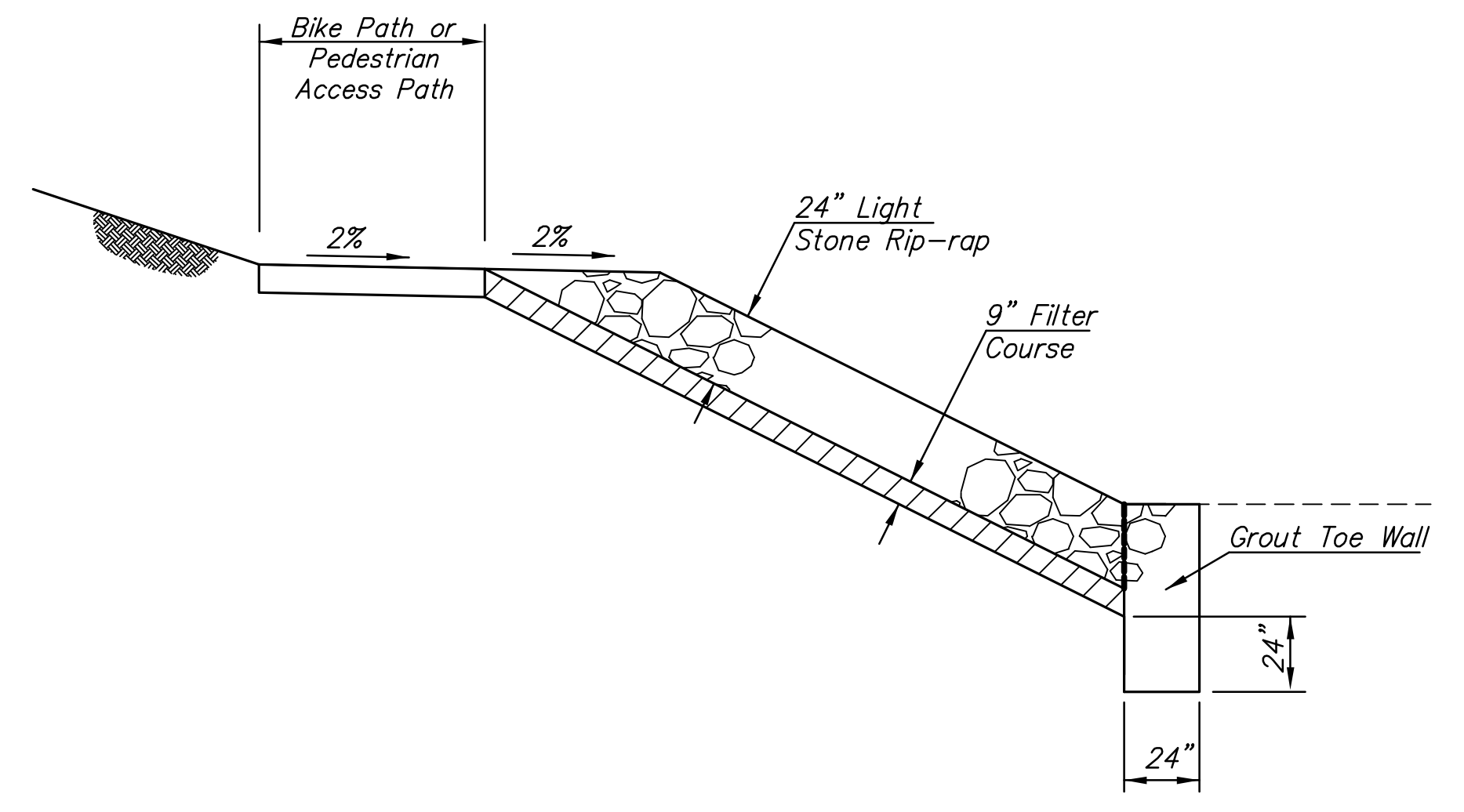
STATE	PROJECT NO.	YEAR	SHEET NO.	TOTAL SHEETS
KANSAS	87 N-0361-01	2011	131	169

MKEC
ENGINEERING
CONSULTANTS, INC.
411 N. WEBB ROAD
WICHITA, K.S. 67206
316-684-9600

**LINCOLN STREET BRIDGE AND
DAM IMPROVEMENTS OVER
ARKANSAS RIVER**



GENERAL PLAN



SECTION-ADJACENT TO SIDEWALK

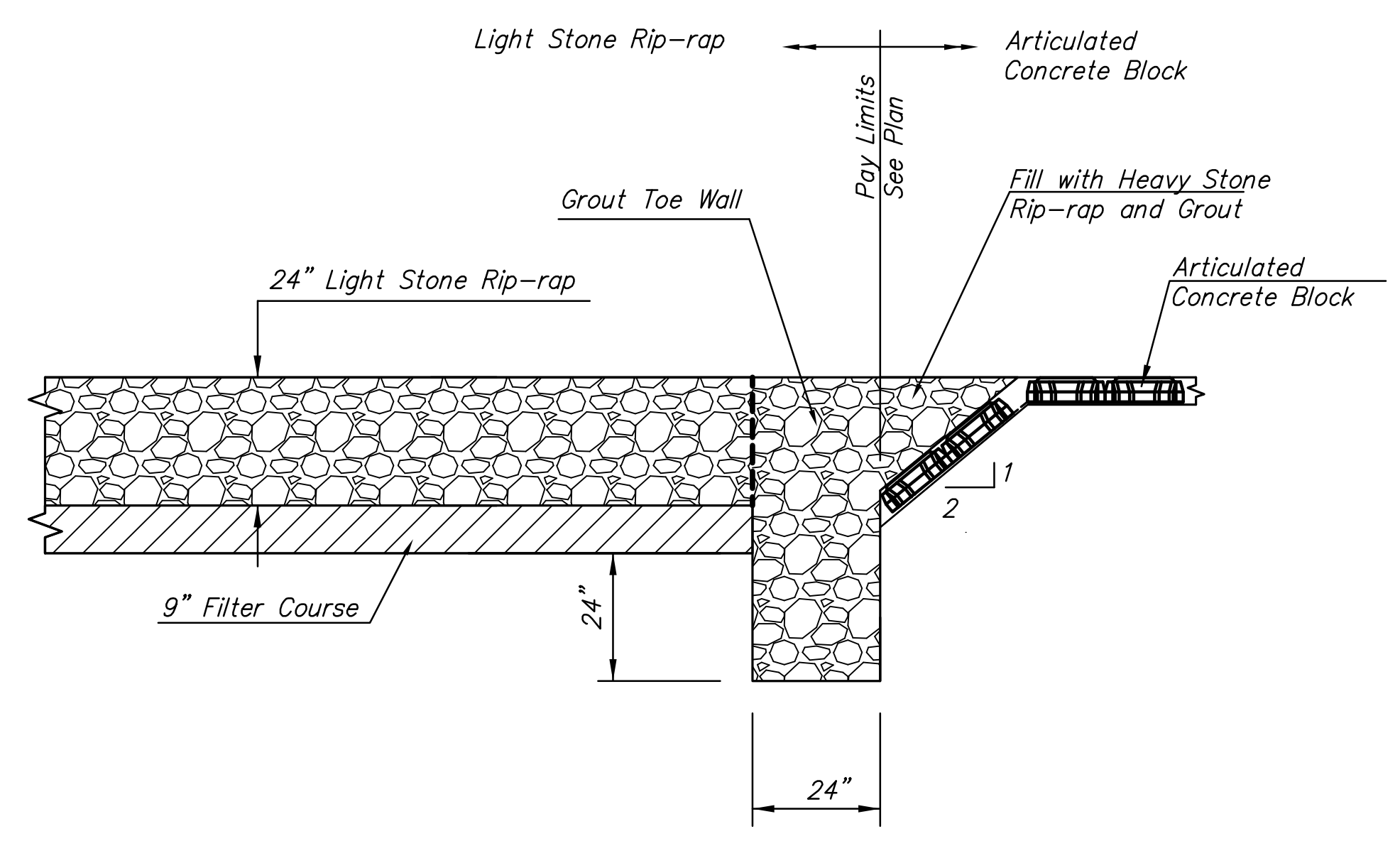
LIGHT STONE RIPRAP

Weight of Individual Pieces	Minimum Percent Larger Than
500 lbs.	0%
250 lbs.	50%
125 lbs.	70%
10 lbs.	90%

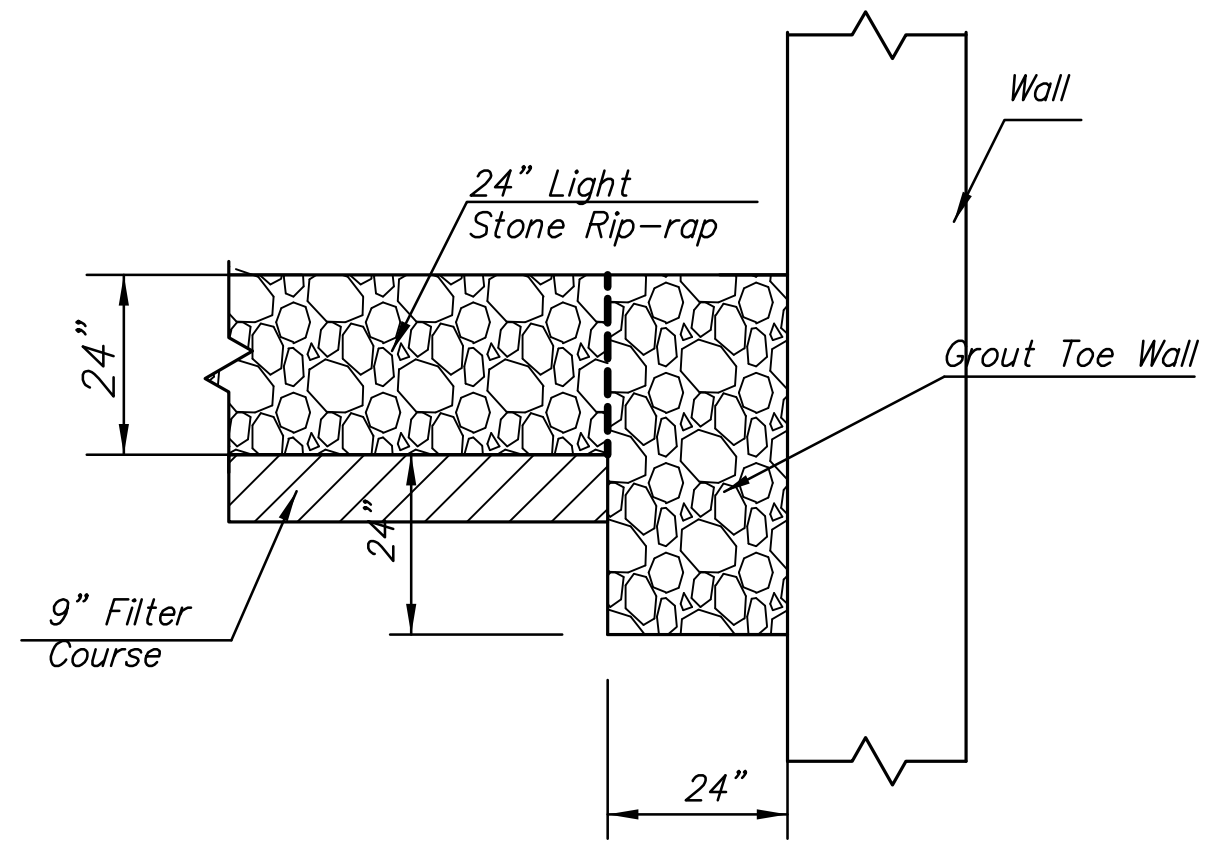
FILTER COURSE

Sieve Size	Percent Retained
4"	0-5%
2"	10-40%
1"	25-60%
3/8"	55-85%
#4	75-95%

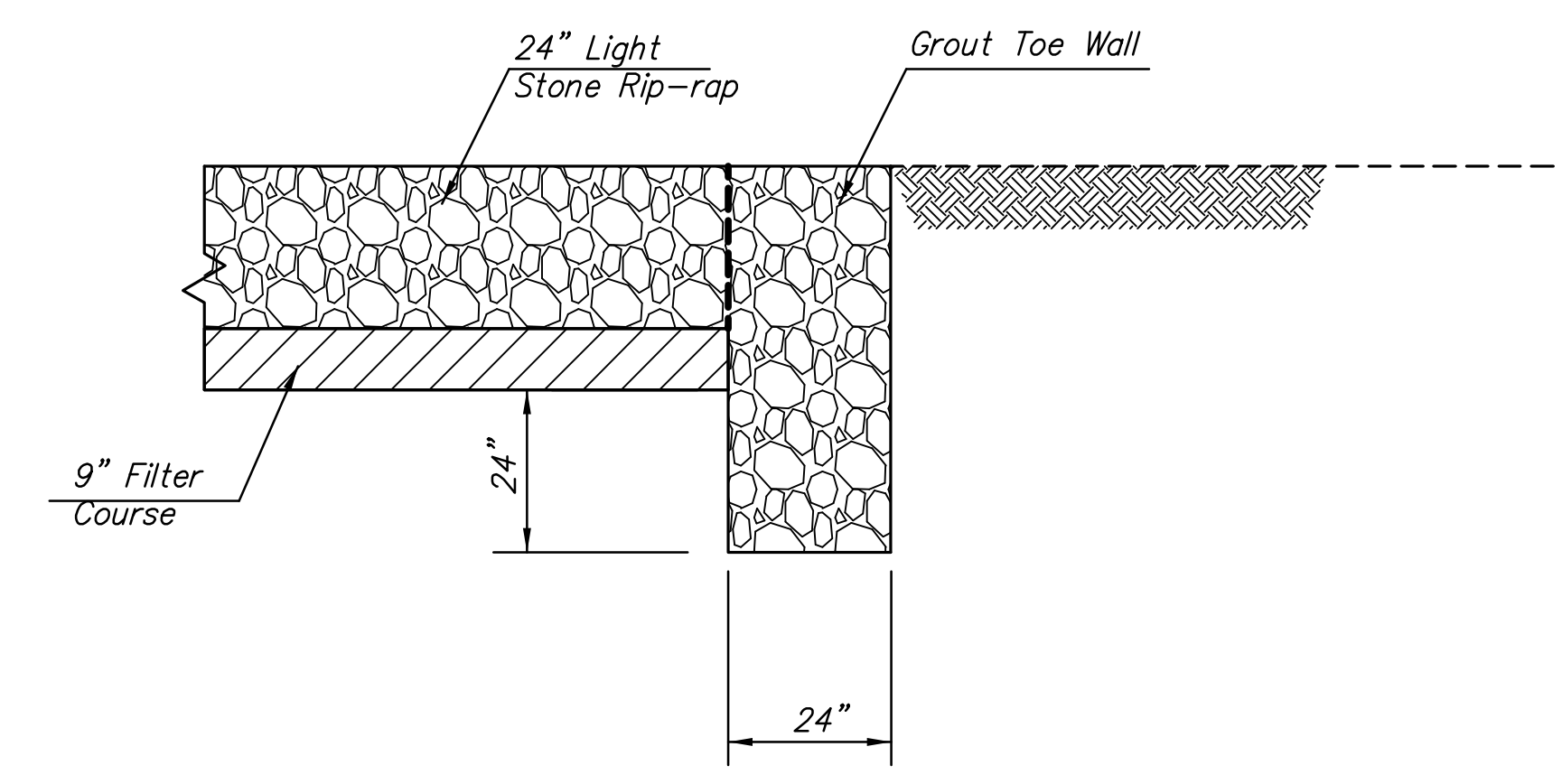
See Sheet 128 for Rip-Rap Summary



TOE ADJACENT TO ARTICULATED CONCRETE BLOCK



TOE ADJACENT TO WALL



TOE ADJACENT TO GROUND

HEAVY STONE RIP-RAP
SHEET TITLE
472-84883
PROJECT NUMBER

DESIGN BY: JRA
DRAWN BY: PJD
CHECKED BY: JRA

ISSUED: 1/24/2011
REVISED:

SHEET NO.
131 of 169